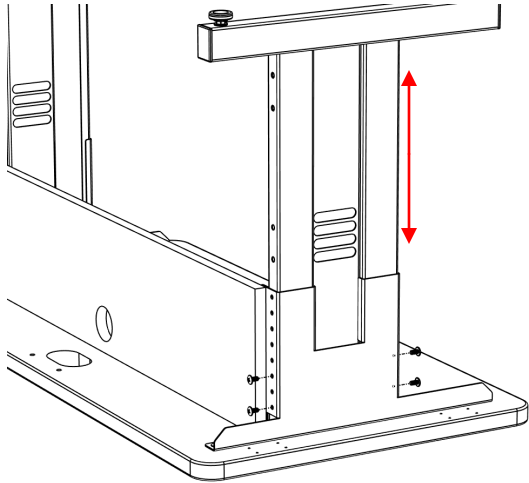


Assembly - Step 4:



- a. Set the training table height on each leg assembly by unscrewing and sliding the leg to the desired position.
- b. Re-insert screws to secure



For details about product warranty, please visit www.kendallhoward.com

DISCLAIMER: Kendall Howard LLC. endeavors to make this manual accurate and complete. However, Kendall Howard LLC makes no representations or warranties of any kind, expressed or implied, about whether the use of products contained herein would infringe any rights or the correctness, accuracy or reliability of the information contained herein or that said information covers all details, conditions or variations. The information herein does not provide for every possible contingency in connection with the installation or use of the product(s). The information contained in this document is subject to change without notice or obligation. Kendall Howard LLC assumes no responsibility for the accuracy, completeness or reliability of the information contained in this document. Any reliance placed on the information is therefore strictly at your own risk.

Instructions / Directions

36" Training Table # 5500-3-00X-XX



www.kendallhoward.com

KENDALL HOWARD  TM
INNOVATORS IN PRODUCT DESIGN

Address: 10152 Liberty Lane
Chisago City, Minnesota, 55013
United States of America

Phone: 651-213-1333
Fax: 800-418-6897

Tools Needed:



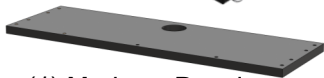
Screw Driver

Included:

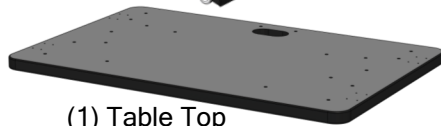


(1) Left Leg Assembly

(1) Right Leg Assembly



(1) Modesty Panel



(1) Table Top



(4x) Leveler



(4x) End Cap



(1) Modesty Panel Grommet

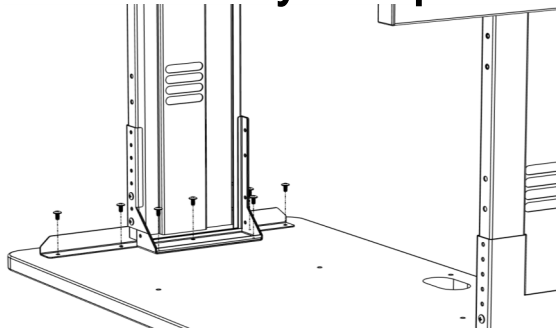


(25x) 1/4-20 Screw



(1) Surface Grommet

Assembly - Step 1:



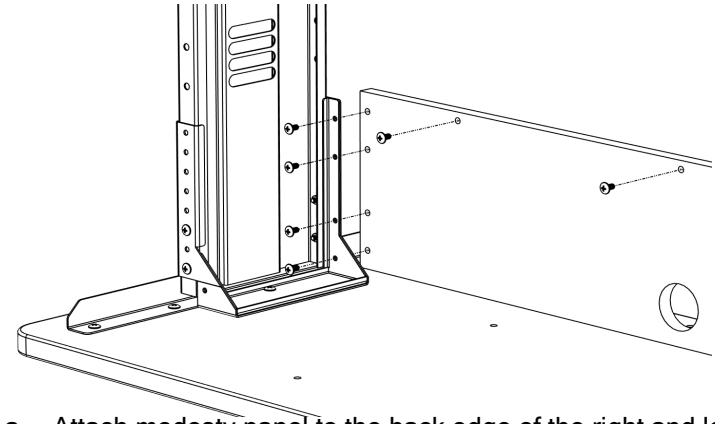
- Position table top with smooth surface facing down
- Line up leg assemblies with pre-drilled hole pattern (note - shorter side of legs face the back of the table)
- Fasten to table top with 1/4" screws

* If installing the Cable Management Enclosure leave out back two screws in the legs

2

Assembly - Step 2:

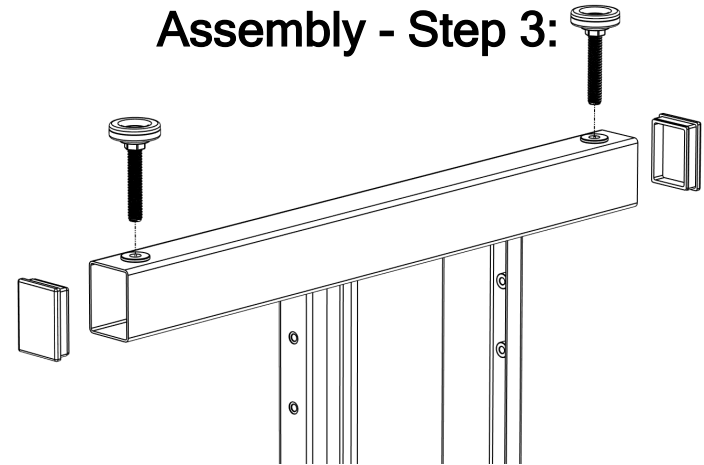
*If installing the Cable Management Enclosure, proceed to mount that to the modesty panel before assembling the panel to the training table



- Attach modesty panel to the back edge of the right and left leg assembly. (Make sure the grommet opening is closest to the work surface)
- Fasten with 1/4" screws.

** If not installing the Cable Management Enclosure—fill in additional threaded holes in modesty panel with additional screws.

Assembly - Step 3:



- Insert levelers into the threaded inserts in the bottom of the leg assemblies.
- Insert end caps into base of each leg kit.

3