

# “Pocket Rocket” RS-232 Async w/ Handshake Fiber Modem

## Model TC1200

- Async Data Rates up to 120 Kbps
- 3 Independent Channels (or 1-chan w/ handshake)
- 5 Control Signals (RTS, CTS, DTR, DSR & CD)
- Multimode or Single Mode (850/1300/1550nm)
- Six Diagnostic LEDs
- Local & Remote Loopback
- Hardened Temperature Version (optional)
- Distances up to 80 Km



TC1200 RS-232 Async w/ Handshake Fiber Optic Modem

The TC1200 is a 3-channel asynchronous RS-232 fiber optic modem that provides up to five bi-directional control (or handshake) signals (RTS, CTS, DTR, DSR and CD). It offers the versatility of linking three data communications devices over a single duplex fiber or one device with a bi-directional control.

The TC1200 supports data rates up to 120 Kbps. A hardened temperature version (-20°C to 70°C) is optional. Six Diagnostic indicators indicate power, electrical signal status and optic sync. It is a DCE device only and performs Local & Remote loopbacks (for diagnostics) with the flip of a switch.

The TC1200 is compatible with all popular types and sizes of multi-mode (850/1300nm) or single mode (1300/1550nm) fiber optic cable. Fiber optic connector are ST or FC. Electrical connector is DB25 Female. Standard power is 12 VDC or 115/230 VAC with an external power cube.

Because the TC1200 can also function as a 3-channel multiplexer by using the control signal channels as data channels, it is particularly cost effective.

Note: The term “Pocket Rocket” refers to the TC Communications family of small, durable and reliable Fiber Optic Modems. Available with a wide variety of interfaces and features, Pocket Rockets combine to provide solutions for most applications encountered in a general purpose fiber optic network.



## Applications

Typical applications include linking remote terminals or printers to host computers, tail circuits to existing multiplexers and extending data communications links.

Fiber Optic Modems are also ideal for connecting data communications devices in harsh manufacturing or outdoor environments where EMI or RFI interference, ground loops and lightning are prevalent.

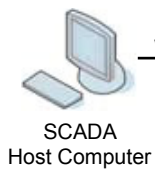
TC Communications, Inc.  
17881 Cartwright Rd. Irvine, CA 92614 U.S.A.

Tel: (949) 852-1972, Fax: (949) 852-1948

Sales: (800) 569-4736

Web Site: [www.tccomm.com](http://www.tccomm.com)

E-mail: [sales@tccomm.com](mailto:sales@tccomm.com)



RS-232 Async  
w/Handshake

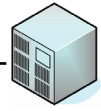


Up to 80km, Single Mode

Multimode or Single Mode  
Fiber Optic Cables



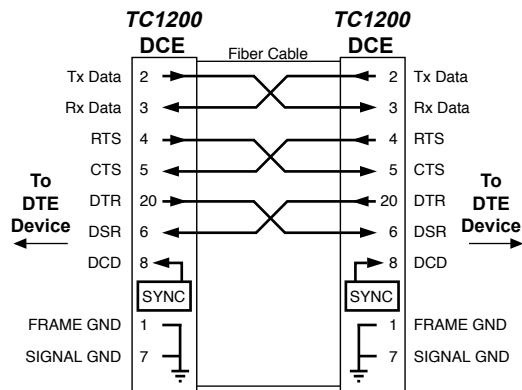
RS-232 Async  
w/Handshake



Remote Telemetry  
Unit or RTU/PLC

Typical Point-to-Point Application Using TC1200 RS-232 Async w/ Handshake Fiber Optic Modems

Virtual Connection  
(connect two DTE devices)



**Data Rates**

Async .....up to 120 Kbps

**Optical**

Transmitter.....LED/ELED

Receiver.....PIN Diode

Wavelength.....850/1300nm MM

.....1300/1550nm SM

Fiber Optic Connectors

.....ST, Optional FC

Loss Budget\* - 850/1300/1550nm

Multimode @62.5/125µm.....15dB

Single Mode @9/125µm.....20dB

**Electrical**

Connector .....DB25 Female

Interface .....(DCE Only) RS-232

**System**

Bit Error Rate .....1 in 10<sup>9</sup> or better

**Visual Indicators**

LEDs .....PWR, DTR, DSR, RTS, CTS,

.....RD, TxD, DCD (SYNC)

**Power**

Standard .....12VDC @250mA

Optional.....115/230VAC  
(with external power cube)

**Temperature**

Operating.....-10°C to 50°C

Hi-Temp (option) .....-20°C to 70°C

Storage.....-40°C to 90°Cz

Humidity .....95% non-condensing

**Physical (Wallmount Base)**

Height .....(2.24 cm) 0.88"

Width .....(10.06 cm) 3.96"

Depth .....(7.77 cm) 3.06"

Weight .....(104.0 gm) 3.67 oz

\*Contact factory for higher requirements



ISO 9001  
QMI-SAI Global  
#1045959

TC Communications, Inc.  
17881 Cartwright Road  
Irvine, CA 92614 U.S.A.  
Factory Tel: (949) 852-1972  
Fax: (949) 852-1948

Sales Office  
U.S.A. Domestic International  
(800) 569-4736 (949) 852-1973

Web Site: www.tccomm.com  
E-mail: sales@tccomm.com