

Installation Instructions

Flat Cable Lacing Panel

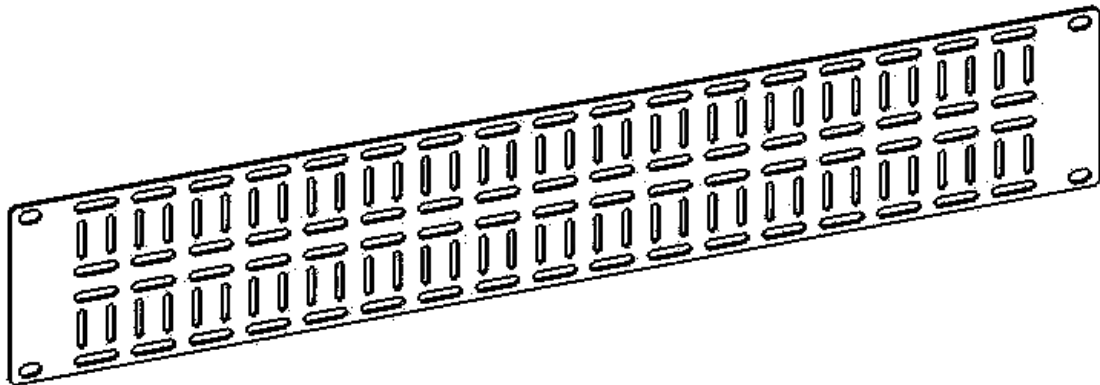
Part Numbers:

1903-1-001-01 1U Flat Cable Lacing Panel

1903-1-002-02 2U Flat Cable Lacing Panel

1903-1-011-01 1U Flat Cable Lacing Panel - 10 Pack

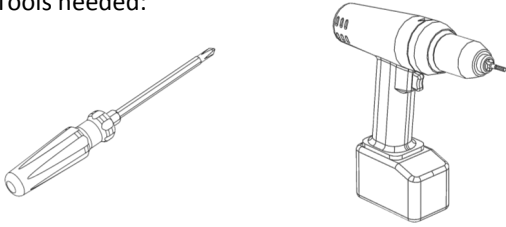
1903-1-012-02 2U Flat Cable Lacing Panel - 10 Pack



Address: 10152 Liberty Lane
Chisago City, Minnesota, 55013
United States of America

Phone: 651-213-1333
Fax: 800-418-6897

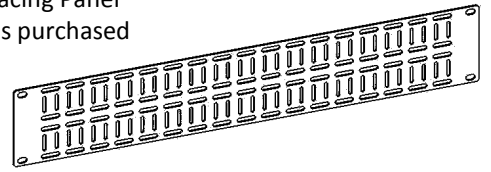
Tools needed:



Screwdriver or Drill

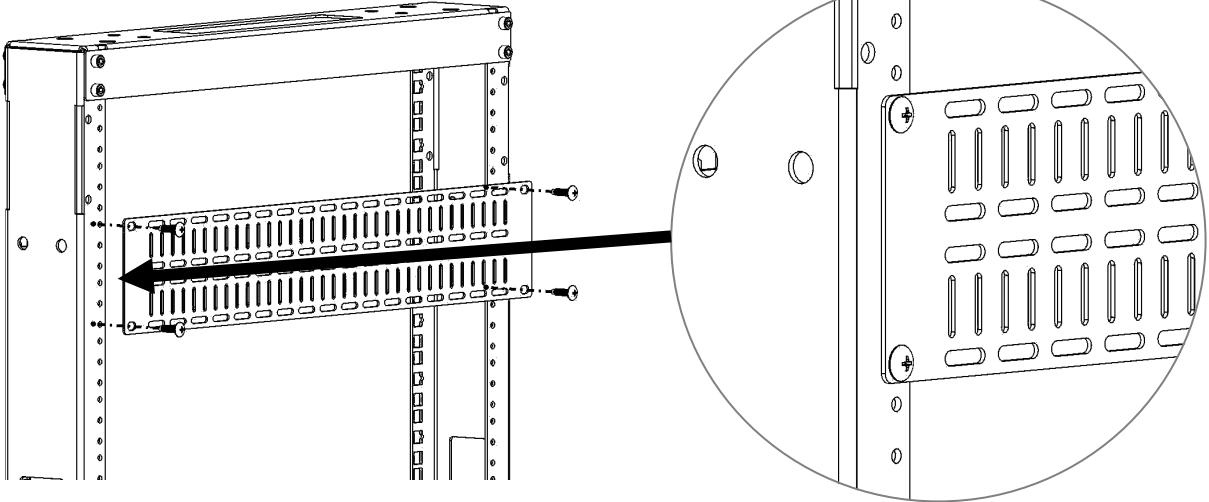
What's in the box?

Qty 1* - Flat Lacing Panel
*10 if 10-Pack is purchased

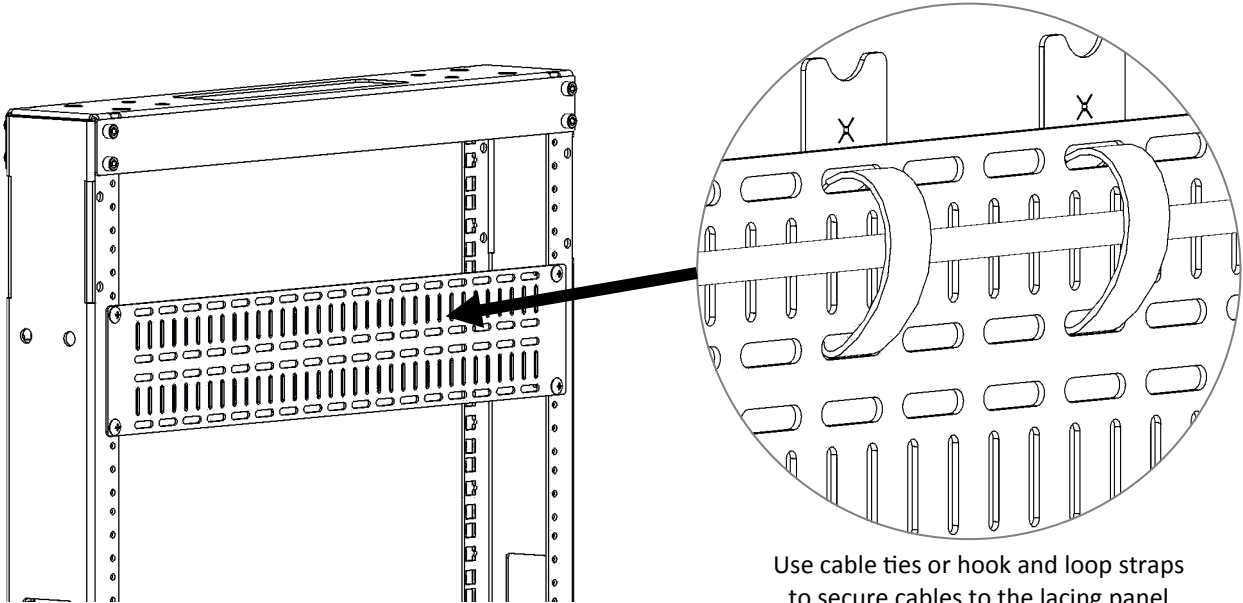


** You will need to supply your own mounting hardware

Step 1:



Step 2:



Use cable ties or hook and loop straps to secure cables to the lacing panel

For details about product warranty, please visit www.kendallhoward.com

DISCLAIMER: Kendall Howard LLC. endeavors to make this manual accurate and complete. However, Kendall Howard LLC makes no representations or warranties of any kind, expressed or implied, about whether the use of products contained herein would infringe any rights or the correctness, accuracy or reliability of the information contained herein or that said information covers all details, conditions or variations. The information herein does not provide for every possible contingency in connection with the installation or use of the product(s). The information contained in this document is subject to change without notice or obligation. Kendall Howard LLC assumes no responsibility for the accuracy, completeness or reliability of the information contained in this document. Any reliance placed on the information is therefore strictly at your own risk.