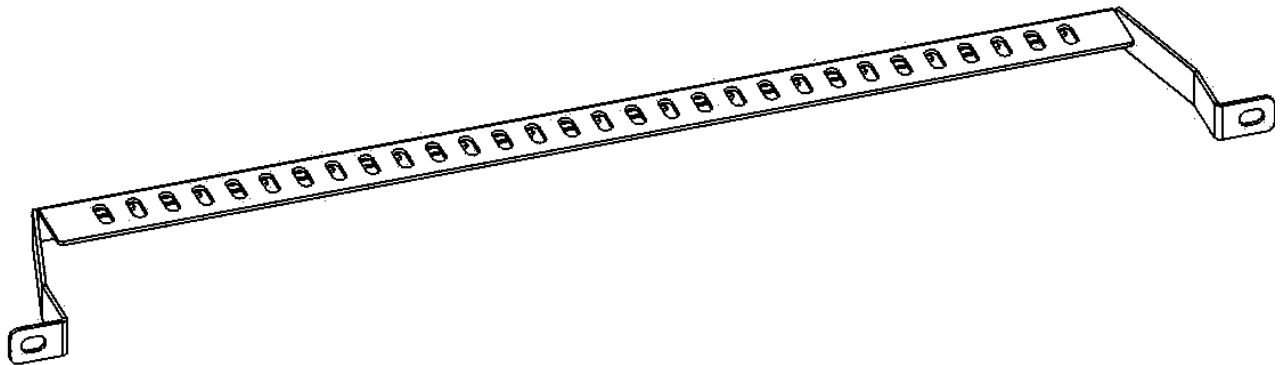


Installation Instructions

Flanged Lacing Bars

Part Numbers:

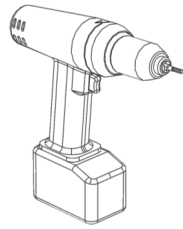
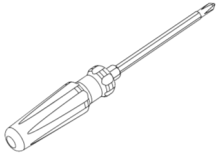
- 1903-1-100-00 Flanged Lacing Bar**
- 1903-1-101-00 3" D Flanged Lacing Bar**
- 1903-1-102-00 5" D Flanged Lacing Bar**
- 1903-1-110-00 Flanged Lacing Bar - 10 Pack**
- 1903-1-111-00 3" D Flanged Lacing Bar - 10 Pack**
- 1903-1-112-00 5" D Flanged Lacing Bar- 10 Pack**



Address: 10152 Liberty Lane
Chisago City, Minnesota, 55013
United States of America

Phone: 651-213-1333
Fax: 800-418-6897

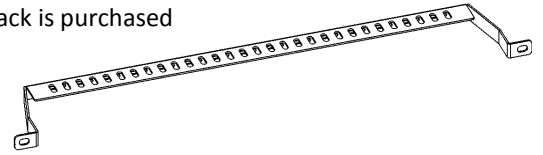
Tools needed:



Screwdriver or Drill

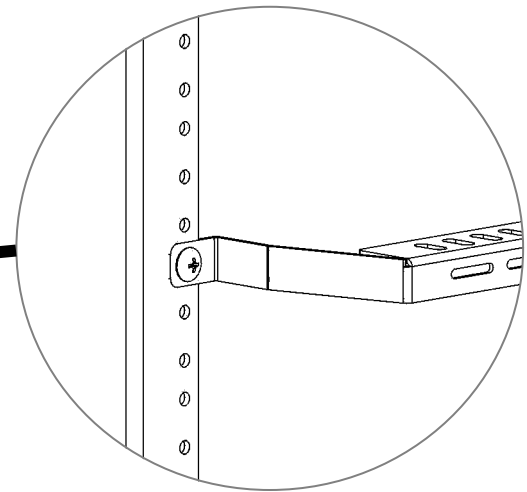
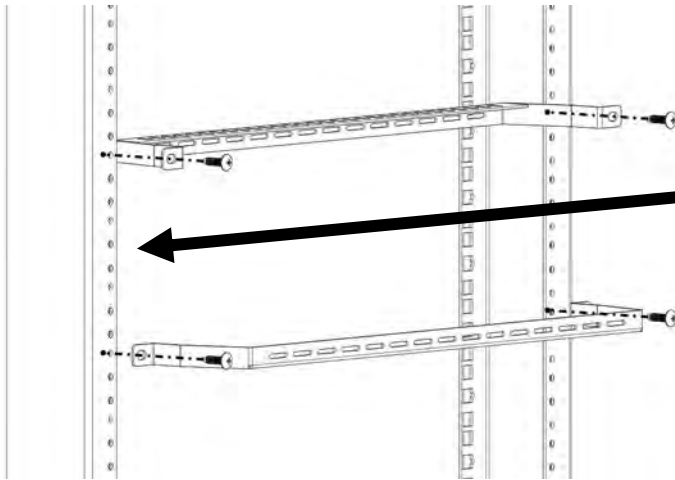
What's in the box?

Qty 1* - Flanged Lacing Bar
*10 if 10-Pack is purchased



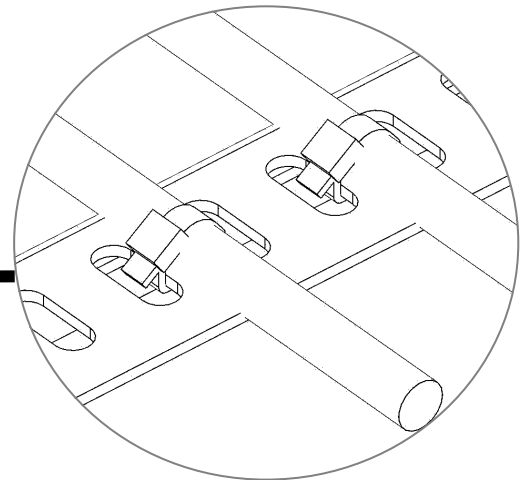
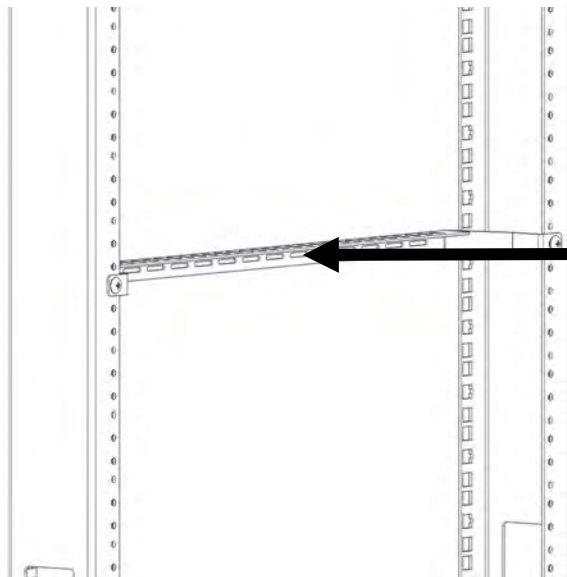
** You will need to supply your own mounting hardware

Step 1:



Mount forward facing or rear facing using standard rack screws (and cage nuts if necessary).

Step 2:



Use cable ties or hook and loop straps to secure cables to the lacing bar.

For details about product warranty, please visit www.kendallhoward.com

DISCLAIMER: Kendall Howard LLC. endeavors to make this manual accurate and complete. However, Kendall Howard LLC makes no representations or warranties of any kind, expressed or implied, about whether the use of products contained herein would infringe any rights or the correctness, accuracy or reliability of the information contained herein or that said information covers all details, conditions or variations. The information herein does not provide for every possible contingency in connection with the installation or use of the product(s). The information contained in this document is subject to change without notice or obligation. Kendall Howard LLC assumes no responsibility for the accuracy, completeness or reliability of the information contained in this document. Any reliance placed on the information is therefore strictly at your own risk.