

# KENDALL HOWARD ®

## Installation Instructions

# LINIER® FIXED WALL MOUNT CABINETS

### Part Numbers:

#### Glass Door

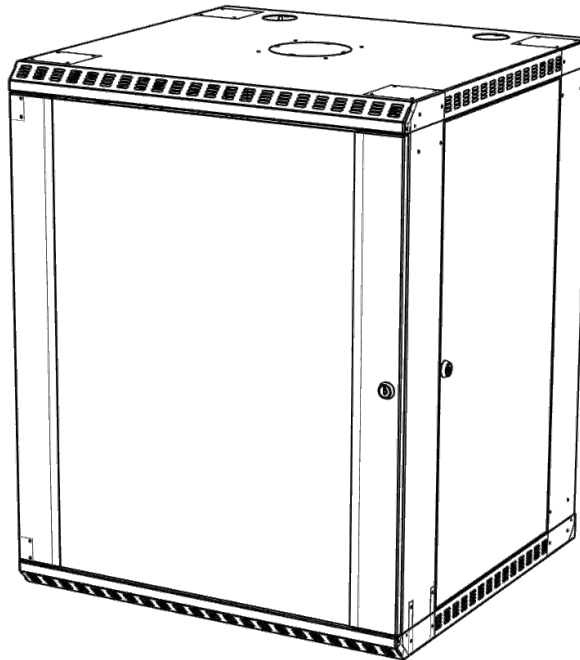
6U - 3140-3-001-06  
9U - 3140-3-001-09  
12U - 3140-3-001-12  
15U - 3140-3-001-15  
18U - 3140-3-001-18  
22U - 3140-3-001-22

#### Solid Door

6U - 3141-3-001-06  
9U - 3141-3-001-09  
12U - 3141-3-001-12  
15U - 3141-3-001-15  
18U - 3141-3-001-18  
22U - 3141-3-001-22

#### Vented Door

6U - 3142-3-001-06  
9U - 3142-3-001-09  
12U - 3142-3-001-12  
15U - 3142-3-001-15  
18U - 3142-3-001-18  
22U - 3142-3-001-22



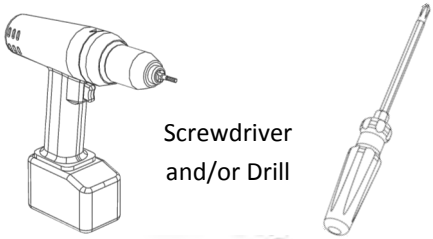
Address: 10152 Liberty Lane  
Chisago City, Minnesota, 55013  
United States of America

Phone: 651-213-1333

Fax: 800-418-6897

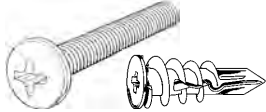
[www.kendallhoward.com](http://www.kendallhoward.com)

Tools/Hardware needed:



Screwdriver  
and/or Drill

You may also need:

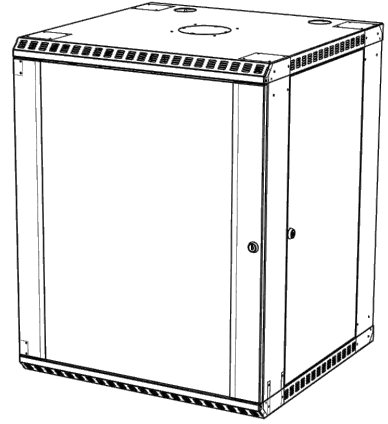


Mounting screws  
and anchors

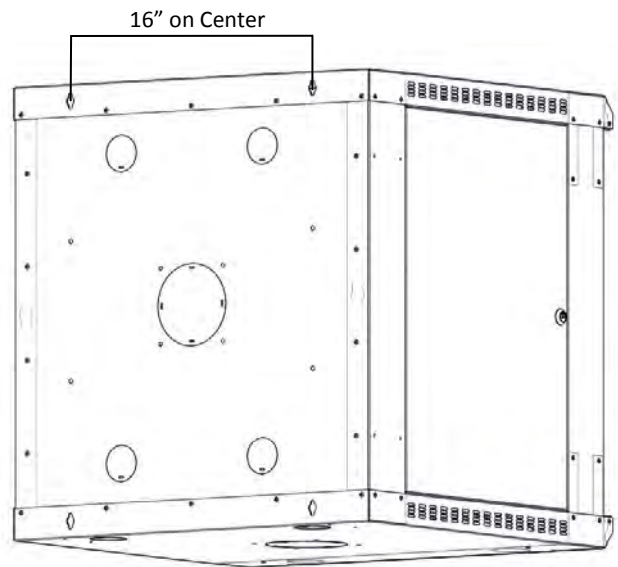
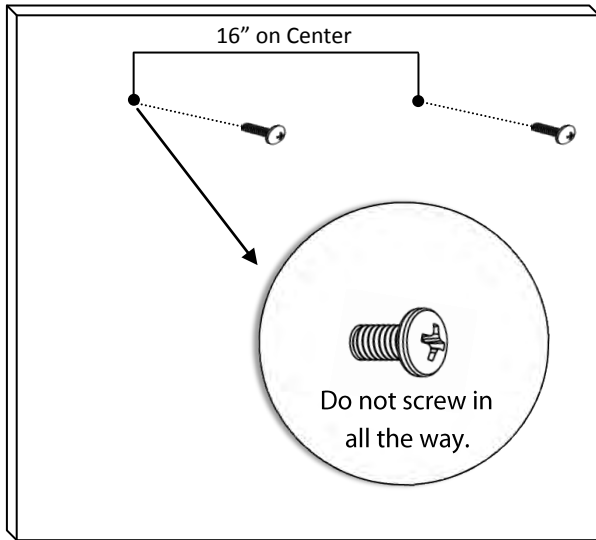
Mounting hardware is **NOT** included

What's in the box?

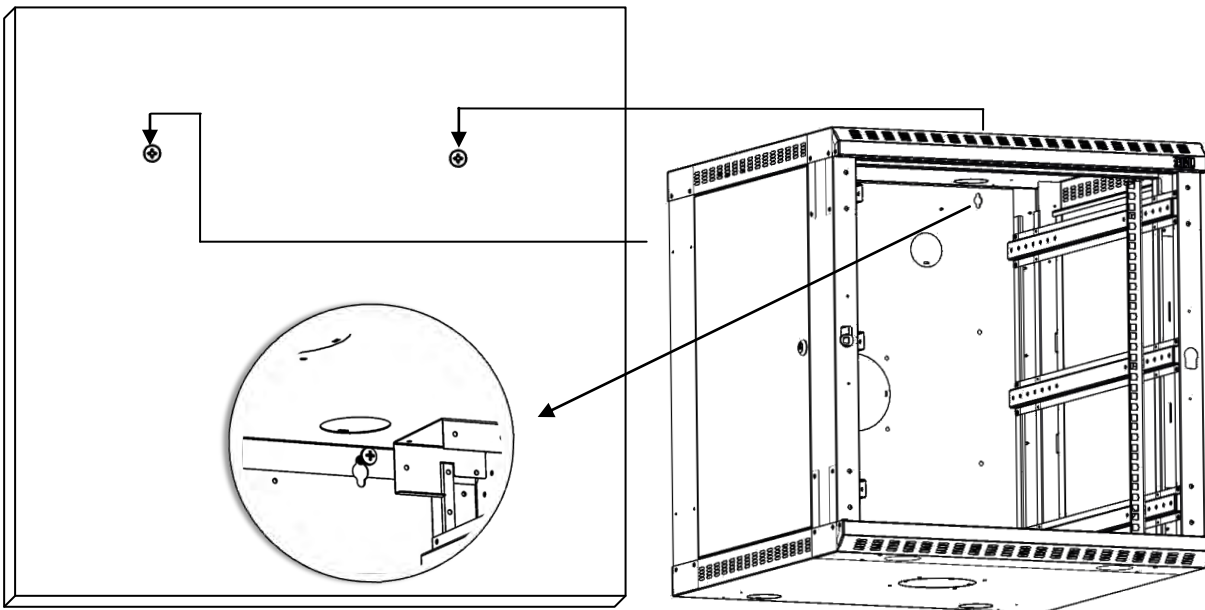
Qty 1:  
LINIER Wall Mount  
Cabinet



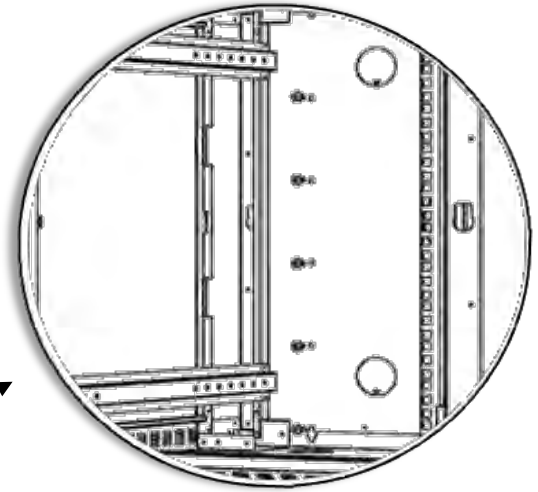
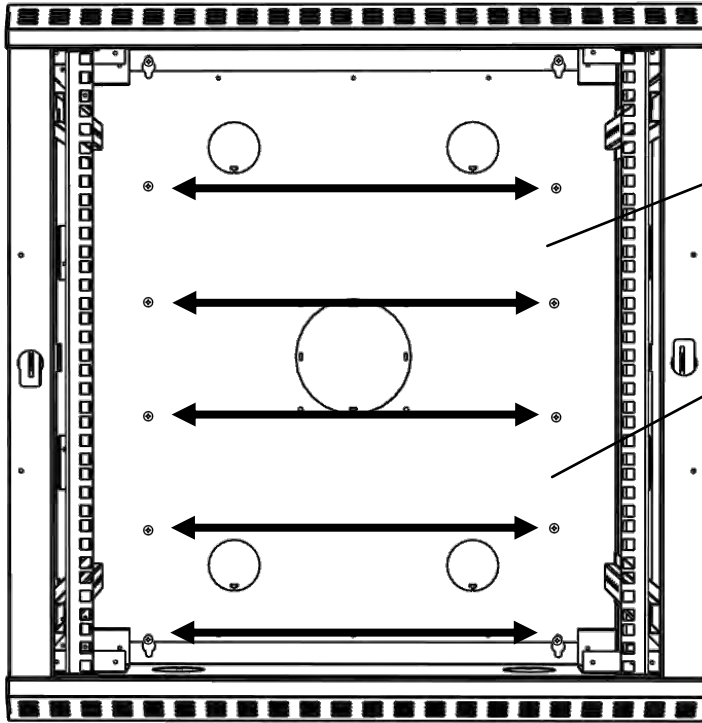
## Step 1:



## Step 2:

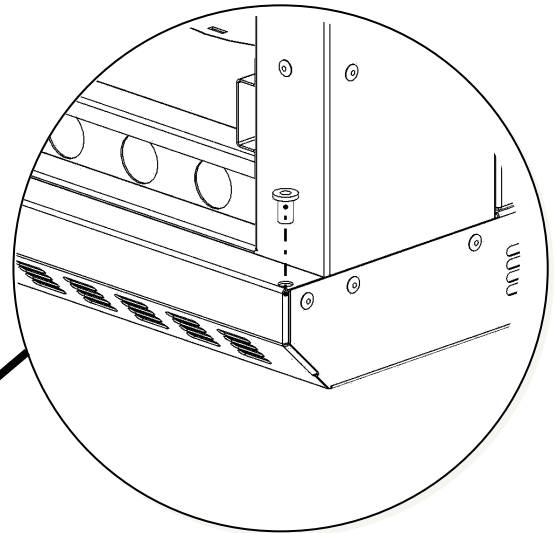
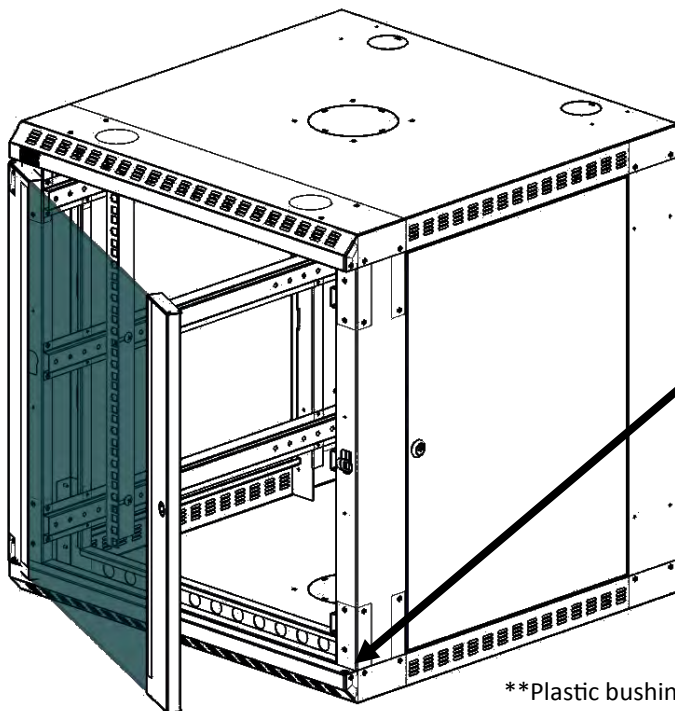


### Step 3:



Finish installing the enclosure by securing screws along the 16" wide mounting pattern.

### Step 4:



\*\*Plastic bushing can be removed from the bottom pan of keyed side. This is inserted to help support the door during shipping, but is not needed once the cabinet is installed.



## Removing Knock Outs

- 1) Insert a flat head screwdriver into the small opening at the edge of the knock out.
- 2) Pry upwards and twist until insert breaks free.



## Adjusting the Rail Depth

- 1) Unscrew the rail from the rail support. Move the rail forwards or backwards to desired location. Insert screw and secure.



For details about product warranty, please visit [www.kendallhoward.com](http://www.kendallhoward.com)

**DISCLAIMER:** Kendall Howard LLC. endeavors to make this manual accurate and complete. However, Kendall Howard LLC makes no representations or warranties of any kind, expressed or implied, about whether the use of products contained herein would infringe any rights or the correctness, accuracy or reliability of the information contained herein or that said information covers all details, conditions or variations. The information herein does not provide for every possible contingency in connection with the installation or use of the product(s). The information contained in this document is subject to change without notice or obligation. Kendall Howard LLC assumes no responsibility for the accuracy, completeness or reliability of the information contained in this document. Any reliance placed on the information is therefore strictly at your own risk.