



A Furukawa Company

400A Fiber Optic Interface Unit

Space-Saving Enclosure Provides Easy Access to Connectors, plus Increased Security



400 A1 LIU



400 A2 LIU

Features and Benefits

- **Space saving** – The unit is small — only 17 inches (43.18 cm) wide, 10 inches (25.4 cm) high, and 6 inches (15.24 cm) deep. It is wall-mountable (with plywood backboard) or frame-mountable, using our Model 742A mounting panel for use in a hut, CEV, or remote site location. You can also use one cabinet for either cross-connection or interconnection.
- **Flexibility for growth** – Individual units (modules) can be added as needed. They can be stacked in a column of 5 units, with the top of the uppermost module 68 inches (172.72 cm) from the floor. This arrangement accommodates a total of 240 fibers per column yet maintains a 1.5-inch (3.81 cm) fiber bend radius. The units also have knockout cable-entry ports and a standard 1-inch (2.54 cm) conduit knockout for increased flexibility.
- **Reduced cost** – The modular design minimizes the initial cost and makes the cross-connect and configuration easily expandable. You can also use your present connectors for termination, and just one unit gives you both routing and expressing capability.
- **Easy access** – These units allow top and bottom cable entry. Slide-out connector panels permit easy access to adapters. Also, in a cross connect configuration, the unit provides the centralized location for rearranging fibers, since all fibers from the riser or distribution cables originate from the cross-connect. When you rearrange the jumpers at the cross-connect, you can easily reconfigure the network topology — to meet the needs of the customer, to optimize available electronics, or to avoid interruptions.
- **Minimum maintenance** – These units accept all fiber terminations, plus splicing and termination are done in one unit. Once fibers are terminated, all permanent cables (feeder, riser, distribution, electronic ties) are fixed and not routinely disturbed. Rearrangements of services or changes in network topology are accomplished using fiber optic jumpers. Decals are provided for maintenance, record keeping, and administrative work.
- **Increased security** – You can purchase the 400A interface unit with locks, or you can purchase locks separately and install them on site.

Applications

Because of its security features and flexible design, our interface unit is currently being used in a number of applications, for example:

- Low fiber count entry facilities
- Local Area Networks
- General premises distribution Systems
- Small-count splice applications



A Furukawa Company

400A Fiber Optic Interface Unit

Product Description

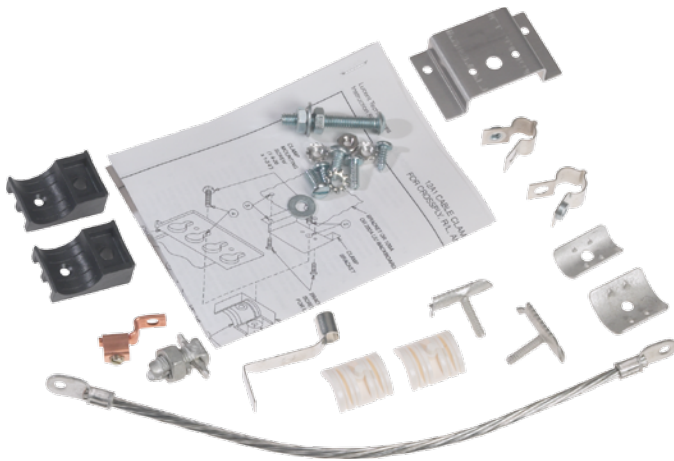
Whether your fiber optic cables are located in a Controlled Environmental Vault (CEV) or a remote site location, you need to be able to get to them easily. And when you do, you must be confident that they have remained secure, just the way you left them — safe from unauthorized personnel. The OFS 400A Fiber Optic Interface Unit, provides both easy access and security.

Developed by OFS Labs, the 400A interface unit is a modular enclosure that provides cross-connect and interconnect capabilities for splicing and terminating Outside Plant Cables (OSP) or Fiber Optic Building Cables.

As shown below, the 400A interface unit has two separate side-by-side sections. One side houses terminated fibers; the other side houses organized jumpers. Each side has its own door with different keys. Although the unit comes in two models (400 A1 and 400 A2), the models are essentially identical. However, for greater security, Model 400A-2 has locks installed on each door.

Cabinet Accessories

12A1 Clamp – The 12A1 Cable Clamp is designed to provide means of securing one OSP cable inside the 400A interface unit. The clamp provides grounding for either ribbon cable equipped with sheath terminating hardware or stranded cable with metallic strength members. The 12A1 consists of a mounting bracket, plastic clamps, and suitable grounding lugs. It is recommended that two (2) 12A1s be installed inside the unit.



12A1 Clamp Kit

12A2 Clamp – Clamp is similar to the 12A1 Clamp, but used with nonmetallic OSP cables.

742A Panel – The panel can be mounted in either a 19 inch (48.26 cm) or 23 inch (58.42 cm) frame and gives the user the capabilities to install one (1) 400A interface unit in a stand-alone, interconnection or cross-connection configuration.

This panel is an ideal panel to use when wall space is limited and frame space is available. It comes equipped with mounting screws, nuts and 742A mounting screws.



742A Panel

D-181755 Direct Termination – This kit of parts is used to prepare OSP cable for direct termination of connectors in the 400A interface unit. It includes cable end prep materials and individual fiber protective buffer tubing.

Fanout Assemblies – Order fanout for use with the 400A units. The fanout provides an easy transition from array connectorized ribbon cable to 12 individual fibers at the termination panels. Order fanouts with a 400A unit to provide easy transition from ribbon based cable to 12 individual connectors.

The standard fanout consists of an array of connectorized ribbon which transitions into 12 individual, connectorized fibers.



SC Mini Fanout

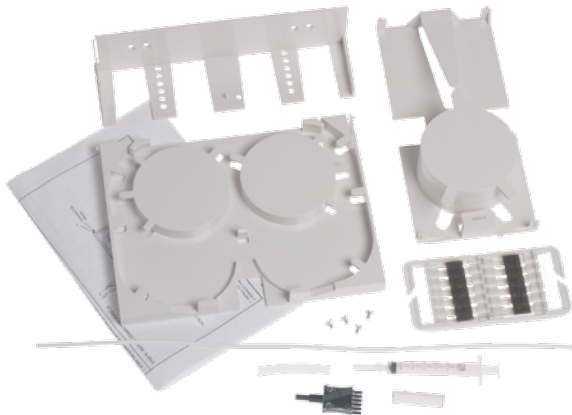


A Furukawa Company

400A Fiber Optic Interface Unit

Fiber Splicing Accessories

Splice kits are available in mass, single, or mechanical splicing configurations to expedite installation methods. Choose the desired splice kit for the first tray of splice organizers, then increase splicing count with additional supplemental trays.



LIU Mechanical Splice Kit

400A LIU Termination Chart

Number of Trays	Mechanical Splices	Adapter Ports
0	0	96 LC, 48 SC, 48 ST
1	12	96 LC, 48 SC, 48 ST
2	24	80 LC, 40 SC, 40 ST
3	36	64 LC, 32 SC, 32 ST

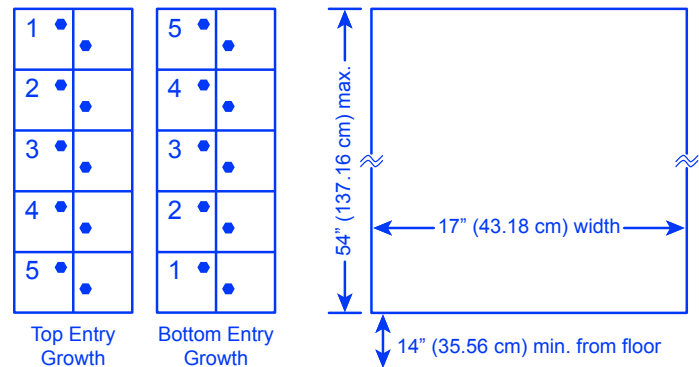
Number of Trays	Single Fusion Splices	Adapter Ports
0	0	96 LC, 48 SC, 48 ST
1	16	96 LC, 48 SC, 48 ST
2	32	80 LC, 40 SC, 40 ST
3	48	64 LC, 32 SC, 32 ST

Number of Trays	Mass Fusion Splices	Adapter Ports
0	0	96 LC, 48 SC, 48 ST
1	6 (72)	96 LC, 48 SC, 48 ST
2	12 (144)	80 LC, 40 SC, 40 ST
3	18 (216)	64 LC, 32 SC, 32 ST

Recommended Growth Pattern for Interface Units

When installing a cross-connect or interconnect configuration with top-entry cables, the recommended growth pattern is to install the first 400A interface unit at the top left corner of the allocated space. Any additional units should be placed beneath the first unit to create a column of up to five modules high.

The number of units per column depends on the vertical dimension of the allocated space. The top of the highest module should not exceed 68 inches (172.72 cm) from the floor.



Possible Growth Sequences of a 240 Fiber X-Connect Field

Value Statement

The 400A Fiber Optic Interface Unit combines the latest in fiber optic technology with the latest in cabinet design. The space saving features and modular design of these units provide the flexibility you need for future growth — without the expense of replacing existing equipment. When you choose the 400A Fiber Optic interface unit from OFS, you get optimum equipment at minimum cost. It's another one of OFS Labs innovations — keeping your network on the cutting-edge of fiber optic technology.



A Furukawa Company

400A Fiber Optic Interface Unit

Ordering Information		
Splice Kits (100, 200, and 400 LIU)		
Product Code	Description	Comcode
Kit LG-D181706	LIU Mechanical Splice Kit Base Unit, has 1 Sup Tray	108 915 141
Supplemental Mech. Splice Kit	LIU Supplemental tray and organizer	108 915 364
1 AM1-12 LG Organizer	Mechanical Organizer (12 mechanicals) part of Sup Tray (pack of 10)	105 356 570
Kit LG-D181707	LIU Single Splice Kit Base Unit, has 1 Sup Tray	108 915 166
Supplemental Fusion Splice Kit	LIU Supplemental Tray and Organizer	108 915 356
1 AF1-16 LG Organizer	Single Fusion Organizer (16 fusion) part of Sup Tray (pack of 10)	105 356 562
Kit, Mass Fusion Splice	LIU Mass Splice Kit Base Unit, has 1 Sup Tray	300 386 976
Kit, Supplemental Fusion Splice	LIU Supplemental tray and organizer	300 386 984
Splice Holder, LG. Mass Fusion	Mass Fusion Organizer (6 Mass fusion) fits Sup Tray (pack of 12)	109 116 046
LIU Box Accessories		
Product Code	Description	Comcode
742 A Panel	100, 200, 400 Frame Mounting Panel	108 915 182
Holder-1A1 Lightguide	100, 200, 400 LIU Mini fanout holder for inside box	108 919 283
Basic Cabinet		
Product Code		Comcode
400 A1 Fiber Optic Interface Unit (w/o Locks)		108 905 662
400 A2 Fiber Optic Interface Unit (with 2 Locks)		108 905 670
7-inch Panels Used on 400 LIU Panels Pre-Loaded with Adapters		
Product Code	Adapter Capacity	Comcode
1000LC1W-SMPL-E/W	6 LC Simplex Adapters	108 597 519
1000LC1W-DPL-E/W	6 LC Duplex Adapters	108 597 527
1000LCA1W-DPL-E/W	6 Angled LC Duplex Adapters	108 610 858
1000LCA1W-SMPL-E/W	6 Angled LC Simplex Adapters	108 610 908
F91AK8515 ASSY	6 SC Adapters for MM or SM Use	106 500 630
F91AK8514 ASSY	6 SM ST Adapters	106 500 622
1000ST-C2000A-2	6 MM ST Adapters	107 802 498
MWK-6	6 FC adapters	106 225 923



A Furukawa Company

400A Fiber Optic Interface Unit

Ordering Information (Continued)

7-inch Panels Used on 400 LIU Panels with Adapter Cutouts Only (No Adapters)

Product Code	Cutout Capacity	Comcode	Reference Adapters (Note)
1000LC1-SMPLX-6	6 LC Simplex Adapter Cutouts	108 365 685	SM C1101A-1 107 764 268
1000LC1-DPLX	6 LC Duplex Adapter Cutouts	108 365 693	MM C1001B-2 108 072 497 or SM C1101A-2 108 072 489
1000SC1 LG	3 SC Duplex Adapter Cutouts	106 372 121	SM/MM-C6000A-5 107 022 980
CONNLG-1000ST	6 ST Adapter Cutouts	105 392 005	MM-C2000A2 104 148 028 or SM-C3000A2 105 271 142
CONNLG-1000ST LO	12 Pack of 6 ST Adapter Cutouts	105 428 486	MM-C2000A2 104 148 028 or SM-C3000A2 105 271 142
CONNLG-1000FC/D4	6 FC/D4 Adapter Cutouts	105 428 254	—
1000BK	Blank Panel (Package of 6)	106 924 483	—

Note: These panels do not come equipped with adapters. To order the proper adapters for use with the panel, use the adapters listed in the Reference Adapters column that are associated with the ordered panel.

For additional information please contact your sales representative.

You can also visit our website at www.ofsoptics.com or call 1-888-fiberhelp (1-888-342-3743) USA or 1-770-798-5555 outside the USA.



Copyright © 2017 OFS Fitel, LLC.
All rights reserved, printed in USA.

OFS Marketing Communications
DOC: fap-142 Date: 07/17



OFS reserves the right to make changes to the prices and product(s) described in this document at any time without notice. This document is for informational purposes only and is not intended to modify or supplement any OFS warranties or specifications relating to any of its products or services.