

Installation Instructions for Slimbox 24 Fiber Outdoor Enclosure

2/22/2017

This document describes the Assembly Instructions for the SlimBox-V, Outdoor Enclosure – 24 fiber.

1. Products

The equipment is used as a termination point for the feeder cable to connect with the drop cables in a FTTx network. The fiber splicing, splitting, distribution can be done in the enclosure and provides a solid protection and management for the FTTx network.

Features:

- Total enclosed structure.
- Material: PC+ABS, water resistant, dust-proof, IP55
- Clamping for feeder cable and drop cable, fiber splicing, storage, and distribution.
- Cable, pigtails, patch cords individual pathways without disturbing adjacent fibers
- Easy Access to feeder cable by raising the adapter panel
- Suitable for both Outdoor and Indoor use

2. Specifications

- Environmental Requirement

| | |
|----------------------|-------------------|
| Working Temperature | -40° C to + 60° C |
| Relative Humidity | ≤ 85% (+30°C) |
| Atmospheric Pressure | 70 Kpa ~ 106 Kpa |

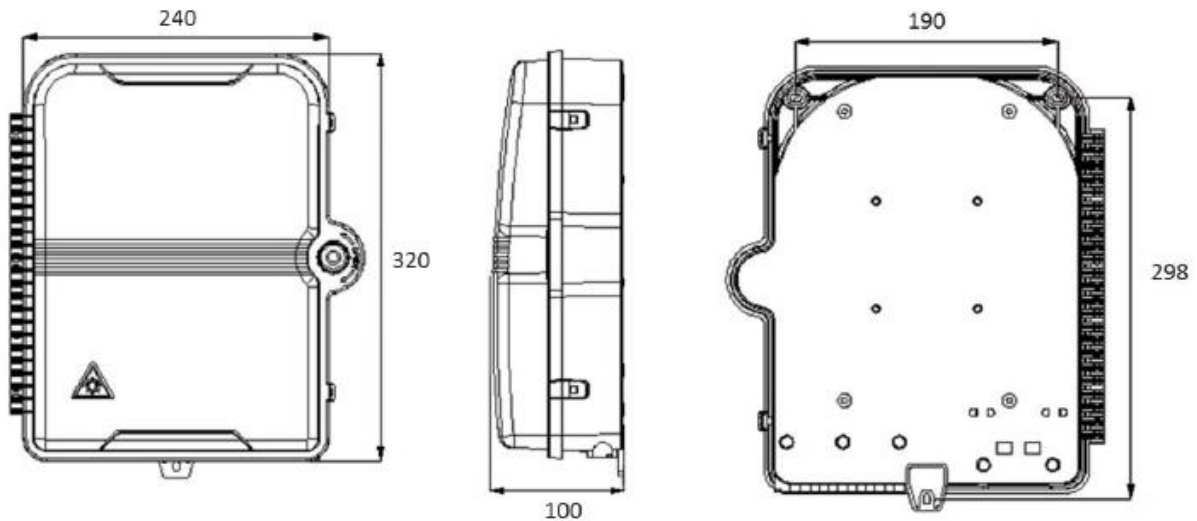
- Electrical Requirement

- The grounding device is isolated with the cabinet, isolation resistance is less than 1000MΩ/500V (DC); $IR \geq 1000M\Omega/500V$.
- The withstand voltage between grounding device and cabinet is not less than 3000V (DC)/minute, no puncture and no flashover; $U \geq 3000V$

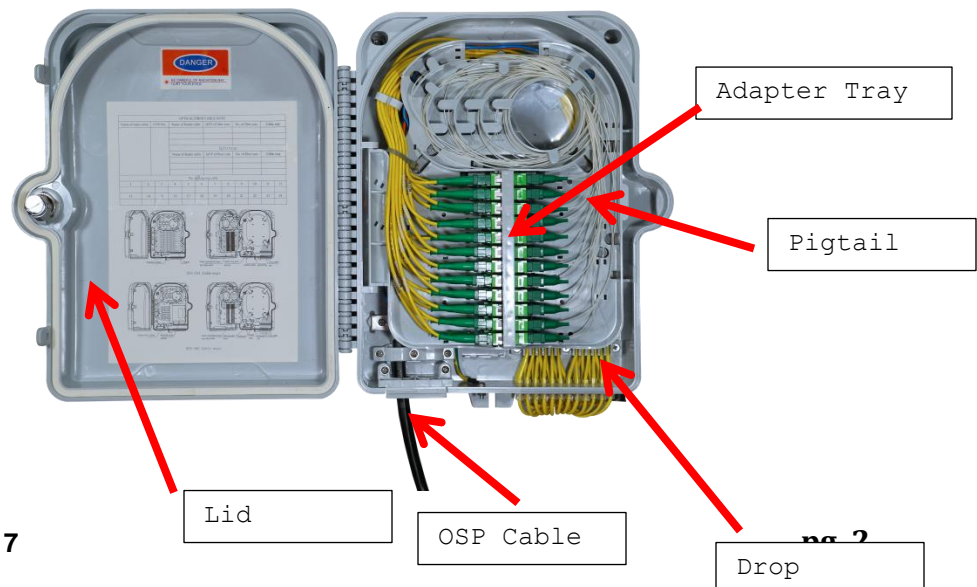
C17AK0003 REV.1 SLIMBOX-V, OUTDOOR ENCLOSURE-24F

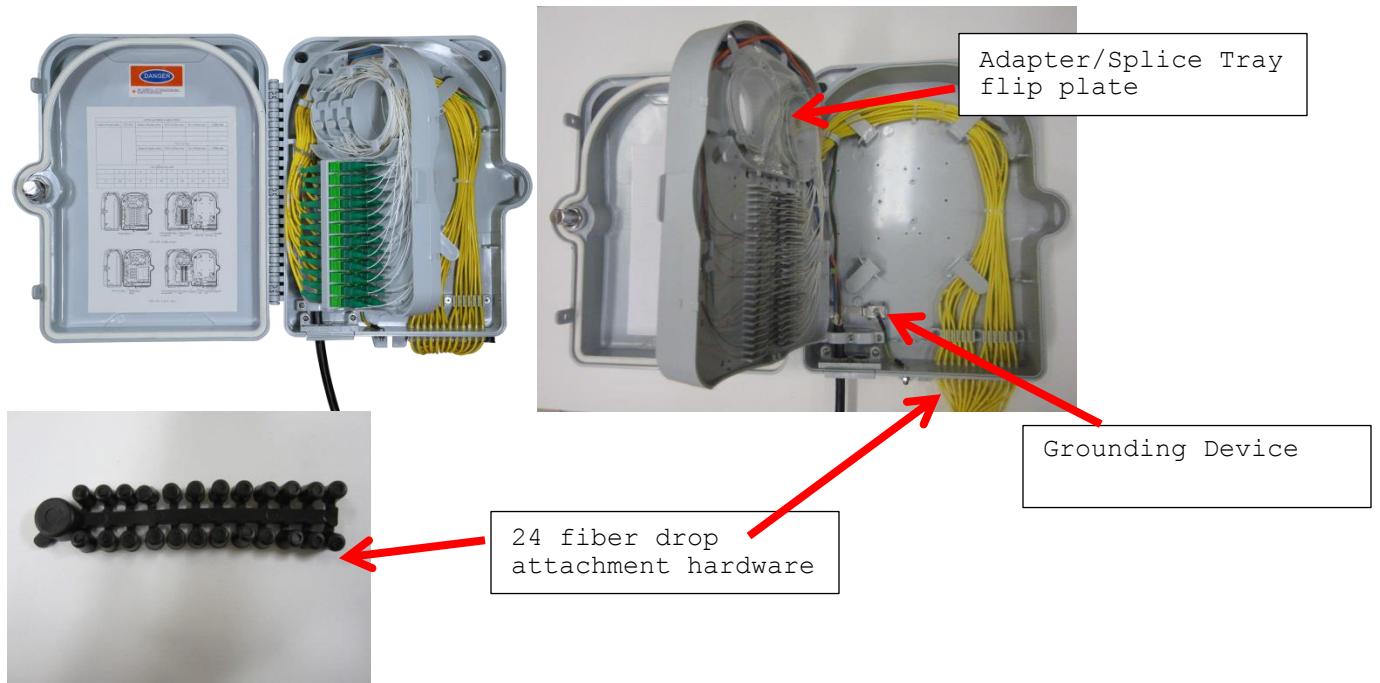
Configuration Table

| Parameter | |
|------------------------|--|
| Dimension (HxWxD) | 320 X 240 X 100 mm |
| Color | Light Gray |
| Material | Plastic (PC + ABS) |
| Adapter Type | SC or LC Duplex that fits SC footprint |
| No of Adapters | 24 or 48 (LC Duplex that fits SC footprint) |
| Splitter Type | Nx 2, Nx4, Nx8 and Nx16 |
| No. of Splitters | Max. 2 (N x 2, N x 4 and N x 8) and Max 1 (N x 16) |
| Adapter capacity | Max 24 |
| Single Fusion Capacity | Max 24 |
| IP Grade | IP 55 (Outdoor) |
| Mount | Wall Mount |

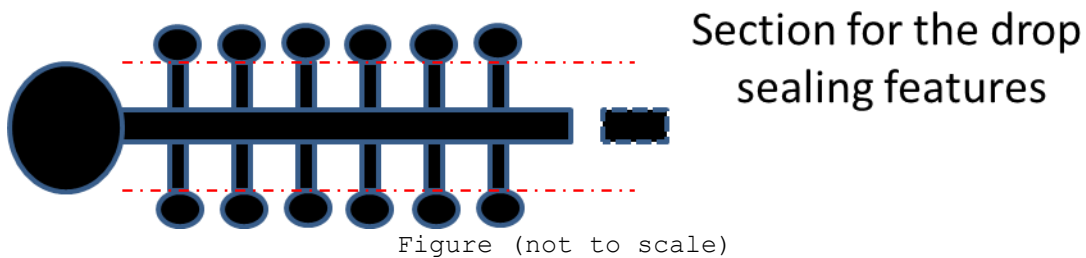


3. Product Structure and Cable Entry





Information to cut the attachment hardware.



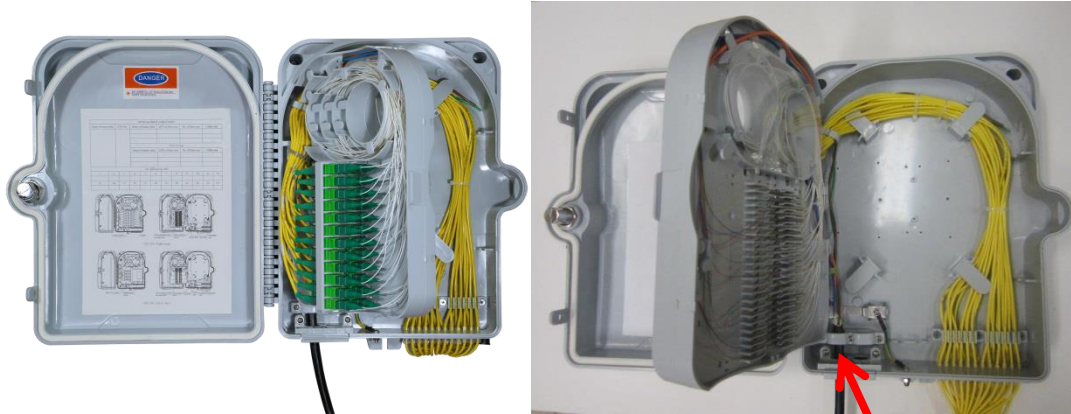
4. Enclosure Installation and drop cable attachment

1. Start by opening the accessories package and find the mounting screws included in the product packaging.
2. Use the drill template to mark the location of the mounting holes for the enclosure.
3. Drill 4 holes over the wall based on the drill template and place the expansion bolt, align the enclosure to holes and use the bolt to fasten



4. Route the drop cables through the attachment hardware on the bottom right hand side of the base. Then route the drop cables around the base of the enclosure so that they enter onto the front of the flip tray. Attach the connectorized end (SCU, SCA, LCU or LCA) into the adapters. Match the adapter number with the appropriate cable number
5. Pigtails may be ordered with the enclosure or ordered separately. When ordered with the enclosure they will already be attached to the adapter on the front of the flip tray and the excess fiber stored in the fiber management on the front. If ordered separately then attach the pigtail to the adapter. The pigtail fiber ends will need to be routed from the front of the flip tray to the rear of the flip tray and prepared for splicing.
6. The Outside Plant cable is routed into the bottom left hand corner of the base and attached inside the bracket at the base of the enclosure. The cable is prepped with 38 inches of exposed unit tube that is routed in the base of the enclosure and routed to the rear of the flip tray. The unit tube that will be spliced is prepped 18 inches to expose the fiber that will be spliced to the pigtail. Once the fusion splice is completed the splice sleeve is installed on the rear of the flip tray and the pigtail is routed counter clockwise and the unit tube is routed clockwise on the rear of the flip tray.

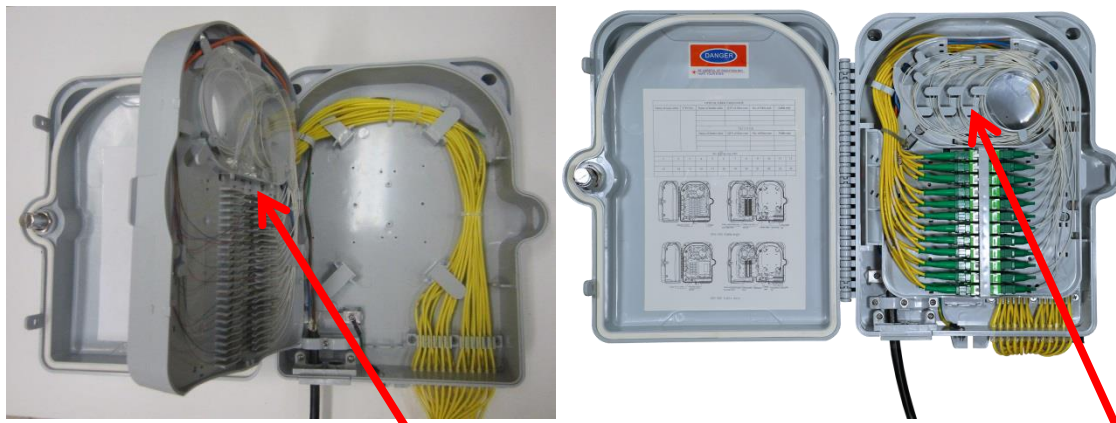
ADD MORE INFO ON CUT LENGTH, CABLE OD and KNOCK OUTS



Attachment of
Outside Plant Cable

5. Splitter Installation

1. Attach the splitter on the rear of the flip tray.
2. If the output ends of the splitter are pre-terminated then route the connectors to the front of the flip tray and attach the connector into the adapter. The excess fiber will be stored in the fiber management at the top of the flip tray.
3. If the splitter output and inputs are to be spliced to pigtails attach the pigtail connector on the front of the flip tray to the connector of the drop lead. Then take the ends from the front of the flip tray to the rear of the tray. Take the splitter output leads and splice the respective pigtail to the splitter output fiber.



Splitter Placement

Fiber Management

C17AK0003 REV.1 SLIMBOX-V, OUTDOOR ENCLOSURE-24F

4. The input fiber from the splitter will be spliced on the rear of the flip tray to the specified fiber in the incoming feeder cable.
5. Store the splice protectors and slack in the rear of the flip tray.
6. Record the connection information and place in the base of the enclosure.
7. Close the cover and attach to the base making sure not to pinch fibers and cordage.

Ordering Information

| Comcode | Product Code | Description |
|-----------|---|---|
| 301135851 | SlimBox-V, OutdoorMDU-24Fiber-InsideADP | SlimBox Outdoor wall mount for 24 internal SC adapters (adapters aren't included) |
| 301135869 | WSE1W-024-SM21-GRY-SCUUNC-F | SlimBox Outdoor wall mound unit with 24 internal SC UPC adapters |
| 301135877 | WSE1W-024-SM21-GRY-SCAUNC-F | SlimBox Outdoor wall mound unit with 24 internal SC APC adapters |
| 301135885 | WSE1W-024-SM21-GRY-LCUUNC-F | SlimBox Outdoor wall mound unit with 24 internal LC UPC adapters |
| 301135893 | WSE1W-024-SM21-GRY-LCAUNC-F | SlimBox Outdoor wall mound unit with 24 internal LC APC adapters |
| 301135901 | WSE1W-024-SM21-GRY-SCUUNC-F-PT | SlimBox Outdoor wall mound unit with 24 internal SC UPC adapters and 24 SM Pig |
| 301135919 | WSE1W-024-SM21-GRY-SCAUNC-F-PT | SlimBox Outdoor wall mound unit with 24 internal SC APC adapters and 24 SM Pigtails |
| 301135927 | WSE1W-024-SM21-GRY-LCUUNC-F-PT | SlimBox Outdoor wall mound unit with 24 internal LC UPC adapters and 24 SM Pigtails |

Technical assistance

OFS ensures that the technical information, statements, drawings and illustrations contained in this manual are reliable. However, the information may not be sufficient to install in certain conditions OFS reserves the right to make improvements, enhancements or changes to the products without prior notification including technical data and other information related to this product.

C17AK0003 REV.1 SLIMBOX-V, OUTDOOR ENCLOSURE-24F

For additional information, please contact your sales representative.

You can also visit our website at www.ofsoptics.com or call 1-888-fiberhelp (1-888-342-3743) from inside the USA or 1-770-798-5555 from outside the USA