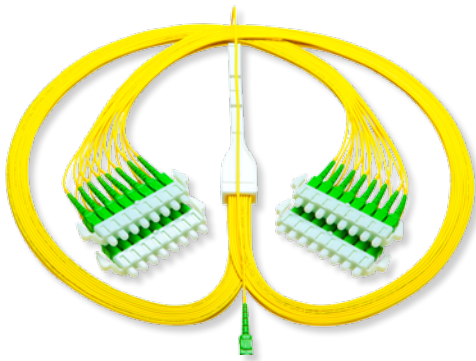




A Furukawa Company

## Direct Connect PLC Splitter

A Unique Combination of Robust Performance and Flexibility for FTTx Applications



*Direct Connect PLC Splitter*

### Features and Benefits

- The PLC Splitter provides a compact utilization of the enclosure space.
  - Fibers are designated by labeling
- Modular approach provides cost effective incremental growth
  - Improves and simplifies fiber routing
- The PLC Splitters are Telcordia GR-1221-CORE and GR-1209-CORE tested
  - Support industry standard applications
  - Long term reliability assurance
- Low insertion loss and reflectance
  - Support high-speed applications
  - Support longer link lengths
- Solution-based engineering support to meet all FTTx networking requirements
  - Offer unique designs and configurations
  - Customer specific application engineering
- The Direct Connect Splitter and bracket can be attached inside wall-mounted cabinets to provide connectorized splitters that do not require splice holders
- Universal solution
  - Simplified stocking replacement inventory

### Product Description

The PLC Splitter offerings by OFS provide a truly flexible solution that addresses the needs of today's FTTx networks. Combining the optical splitter expertise of Furukawa Electric Company with the connectivity and packaging capabilities of OFS, the Direct Connect splitters offer superior optical performance in a flexible, yet easy-to-manage package. The use of these splitters allows for rapid installation into traditional cabinets and closure splice trays.

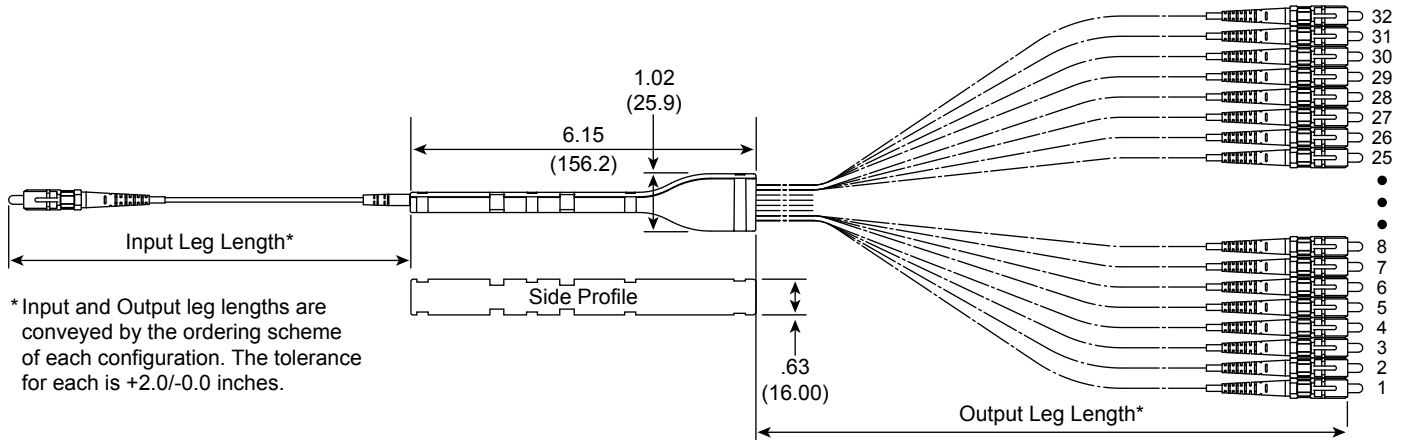
The outer housing of the direct connect splitters improves on the environmental stability of the traditional splitters for Outside Plant (OSP) applications. The packaged version of the splitter fits into a bracket that is attached to the enclosure and provides a low cost option for splitting signals. The "upjacketed" fiber legs provide extra protection for the bare fiber. Because of the increased mechanical stability and the bend insensitive fiber, the rugged fiber legs allow for quick routing between adapter ports with minimal optical performance impact. There is no need to prepare the splitter leg with special tubing. The installer can simply route these rugged ends within the cabinet or closure and secure them.



A Furukawa Company

**Product Description (Continued)**

The OFS splitters are full spectrum (1260 - 1650 nm) components available in multiple configurations to meet customer requirements (see table on next page). These splitters also utilize Flame Hydrolysis Deposition (FHD) technology, ensuring better thermal stability. Designed to meet the demanding requirements of both inside and OSP applications, the splitter module meets Telcordia GR-1221-CORE and GR-1209-CORE requirements.



**DC Splitter Ordering Scheme**

Syntax: [1]-[2]-[3]-[4]/[5]-[6]-[7]-[8]/[9]

[1]	[2]	[3]	[4]	[5]	[6]	[7]	[8]	[9]
Splitter Type	PLC Configuration	Effective Spectrum	Input Connector	Output Connector	Adapter Style	Split Ratio	Input Leg Length	Output Leg Length
<b>D1</b>	<b>1X8</b> <b>1X16</b> <b>1X32</b>	<b>Full</b>	<b>UNC</b> (none) <b>SCA</b> (SC APC) <b>LCA</b> (LC APC)		<b>N</b> (none)	<b>BAL</b> (balanced)	inches	inches

**Splitter Module Specifications**

PLC Configuration	1 x 8	1 x 16	1 x 32
Operating Wavelength	1260 – 1650 nm		
Max. Insertion Loss (dB)	10.8	14.2	17.2
Max. Insertion Loss Uniformity (dB)	1.0	1.3	1.6
Max. Polarization Dependent Loss (dB)	0.3	0.3	0.3
Min. Return Loss (dB)	50	50	50
Min. Directivity (dB)	50	50	50
Operating temperature	-40 °C Max. 75 °C		
Storage temperature	-40 °C Max. 85 °C		



A Furukawa Company

## Direct Connect PLC Splitter

Available Standard Configurations	
Comcode	Description
301060323	D1-1X08-FULL-UNC/SCA-N-BAL-29/29
301022372	D1-1X16-FULL-SCA/SCA-N-BAL-29/29
301060331	D1-1X16-FULL-UNC/SCA-N-BAL-29/29
301040101	D1-1X32-FULL-LCA/LCA-N-BAL-52/52
301061578	D1-1X32-FULL-SCA/LCA-N-BAL-39/39
300563715	D1-1X32-FULL-SCA/SCA-N-BAL-29/29

For additional information please contact your sales representative.  
 You can also visit our website at [www.ofsoptics.com](http://www.ofsoptics.com) or call 1-888-fiberhelp (1-888-342-3743) USA or 1-770-798-5555 outside the USA.



Copyright © 2017 OFS Fitel, LLC.  
 All rights reserved, printed in USA.

OFS Marketing Communications  
 DOC: fap-268 Date: 07/17



OFS reserves the right to make changes to the prices and product(s) described in this document at any time without notice. This document is for informational purposes only and is not intended to modify or supplement any OFS warranties or specifications relating to any of its products or services.