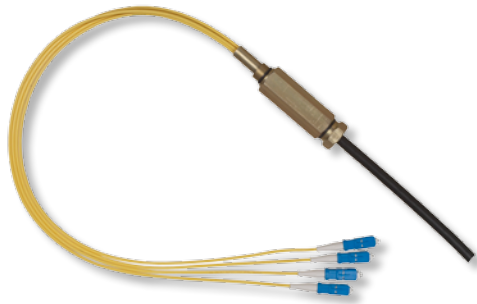




A Furukawa Company

# Drop Node Cable

High-Performance Node Coupler Designs



## Features and Benefits

- Supports rapid field installation
- Robust enough for the outside plant (OSP)
- Connectorized with LC, SC or ST connector types
- Polished with UPC or APC end face
- Standard leads of 39 inches

## Attributes

### Node Coupler

- Water blocked node coupler design
- TrueWave® RS Single-Mode Fiber
- Up to 600 lb strain relief structure
- Cable crimp separate from the node coupler
- Node coupler spins freely from cable crimp to ensure ease of cable installation
- Standard 5/8" 24 UNEF (Unified Extra Fine) thread for node attachment.

### GR-20 Compliant

- Impact test (EIA/TIA-455-25B)
- Compressive strength (EIA/TIA-455-41A)
- Flex test (EIA/TIA-455-104A)
- Operating temperature ranges:

#### Installation:

-30° to 60 °C (-22° to 140 °F)

#### Operation:

-40° to 70 °C (-40° to 158 °F)

#### Storage/shipping:

-40° to 75 °C (-40° to 167 °F)

## Product Description

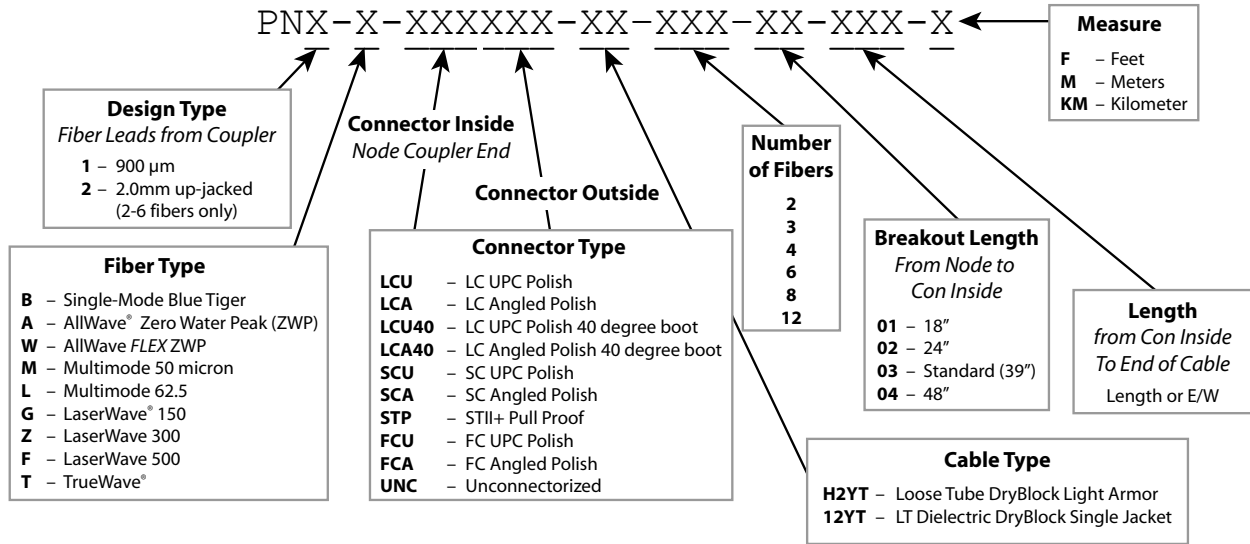
The OFS Node Coupler Cable Designs are noted for their superior transition support and ease of installation. These unique designs can accommodate a wide variety of loose tube or central tube cable designs up to 12 fibers. All assemblies are factory assembled and tested to the OFS standard of performance.

Designed for rugged outdoor use, the Drop Node Cable incorporates a standard 5/8 inch, 24-threaded fitting made from a chromate material that encases an epoxy-filled plug. This plug and housing deliver effective strain relief to eliminate cable pistoning, while providing superior mechanical protection for the optical fibers and a watertight connection to the optical node. Choose from our high-performance OPTION1™ or Loose Tube Light Armor or Dielectric DryBlock® Cables, in a variety of configurations.



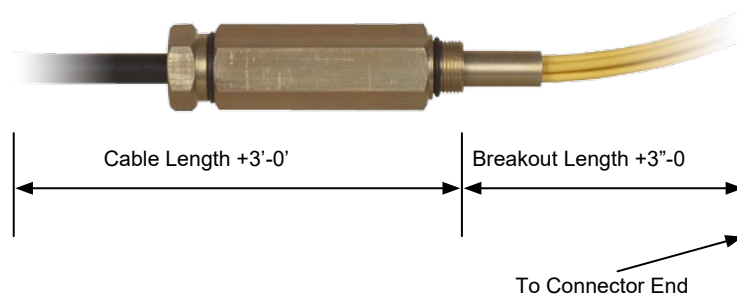
A Furukawa Company

Drop Node Cable Ordering Scheme



Drop Node Cable Ordering Codes		
Node Coupler	Order Code	Descriptor
Dielectric	300 417 334	PN1-W-SCAUNC-12DT-004-03-015M
Dielectric	300 417 094	PN1-W-SCAUNC-12DT-006-03-E/W
Light Armor	300 417 862	PN1-W-SCAUNC-H2DT-004-03-E/W
Light Armor	300 417 714	PN1-W-SCUUNC-H2DT-004-03-E/W
Light Armor	300 417 847	PN1-W-SCAUNC-H2DT-004-03-50F
Light Armor	300 417 722	PN1-W-SCAUNC-H2DT-006-03-E/W
Light Armor	300 421 450	PN1-W-SCAUNC-H2DT-006-03-0150F

Base Components



For additional information please contact your sales representative. You can also visit our website at [www.ofsoptics.com](http://www.ofsoptics.com) or call 1-888-fiberhelp (1-888-342-3743) USA or 1-770-798-5555 outside the USA.



Copyright © 2017 OFS Fitel, LLC. All rights reserved, printed in USA.

OFS Marketing Communications  
DOC: fap-215 Date: 07/17



OPTION1 is a trademark and AllWave, DryBlock, LaserWave, ST, TruePhase, TrueWave, and UltraWave are registered trademarks OFS FITEL, Inc. OFS reserves the right to make changes to the prices and product(s) described in this document at any time without notice. This document is for informational purposes only and is not intended to modify or supplement any OFS warranties or specifications relating to any of its products or services.