



A Furukawa Company

LGX® Fiber Optic Shelves

Jumper Storage



LSJ1U-072 Jumper Storage Shelf

Features and Benefits

- Hinged front and rear doors constructed of white polycarbonate and equipped with knockouts for optional lock mechanism
- Universal shelf mounting brackets for frame or wall mount
- Open interior equipped with slack storage rings

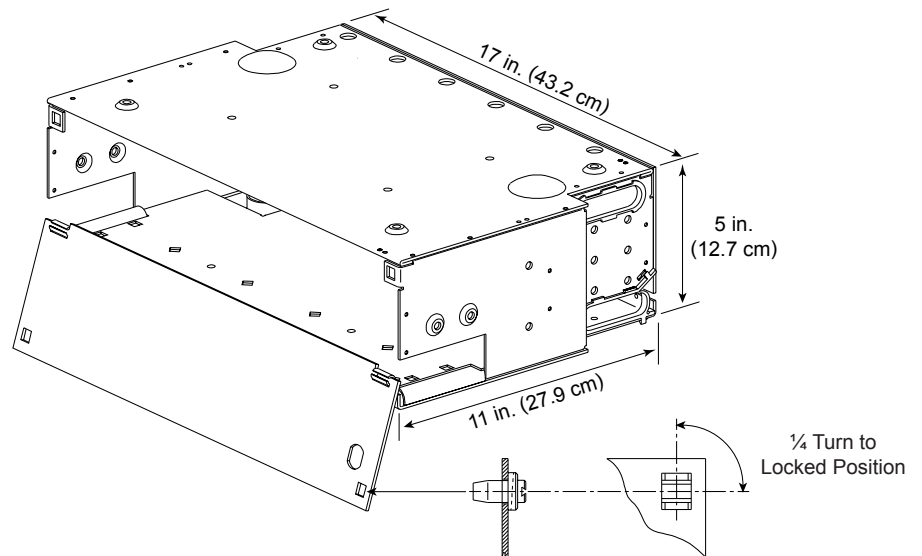
Product Description

The Fiber Optic Jumper Storage Shelf (LSJ) is used to store slack in preassembled cross-connect or interconnect jumpers or take up slack in buffered cables routed from equipment or outside plant cables.

Product Code: LSJ1U-072
Comcode: 105 335 780

Attributes

- 5" high (12.7 cm)
- 17" wide (43.2 cm)
- 11" deep (27.9 cm)



For additional information please contact your sales representative. You can also visit our website at www.ofsoptics.com or call 1-888-fiberhelp (1-888-342-3743) USA or 1-770-798-5555 outside the USA.



Copyright © 2017 OFS Fitel, LLC. All rights reserved, printed in USA.

OFS Marketing Communications
DOC: fap-266 Date: 07/17



LGX is a registered trademark of OFS Fitel, LLC. OFS reserves the right to make changes to the prices and product(s) described in this document at any time without notice. This document is for informational purposes only and is not intended to modify or supplement any OFS warranties or specifications relating to any of its products or services.