



A Furukawa Company

## V-Linx™ Terminal

Indoor Factory Terminated Spool and Play Solution



### Features and Benefits

- Hands-free fiber pay-off operation
- Integrated spool axle for fiber storage
- Spool and Play functionality from the factory
- 50 feet (15.24 meters) of integrated cable (a larger V-Linx Terminal is available for 300 feet (91 meters) applications)
- Parking adapters for units not in service
- Wall mountable onto multiple surfaces
- Highly compact design
- AllWave® FLEX ZWP Single-Mode Fiber enabled design
- Under area splice cable

### Product Description

The V-Linx™ Terminal is a comprehensive, multifunctional 12-port terminal system that combines fiber storage and a hands-free pay-off feature in a single factory-terminated device. The standard input cable for the V-Linx Terminal is a 50 foot (15.24 meter) twelve-fiber preterminated drop cable installed at the factory. The drop cables are terminated with multifiber push-on (MPO) connectors providing the interface with the V-Linx Combiner for a collective floor distribution design within a building.

The distribution side of the V-Linx Terminal provides transition to twelve single-fiber SCA adapters allowing individual drops to 12 living units. The V-Linx Terminal features OFS' bend-optimized AllWave® FLEX ZWP Fiber enabling superior optical performance within the terminal and the integrated cable tether.

The cable spool is integrated on the assembly itself for quick set-up and installation in the field. The V-Linx Installation Tool provides all the necessary assistance to allow a single person to install the entire cable between floors.

Uniquely designed for dense, multifloor units, the V-Linx Spool and Play Solution can significantly reduce the manpower and time needed to install the network backbone with short length spool-and-play technology in MDUs. The V-Linx Spool and Play Solution comprises 4 major components:

- V-Linx Fiber Distribution Hub (FDH)
- V-Linx Combiner
- V-Linx Terminal
- EZ-Bend® Drop Assemblies



A Furukawa Company

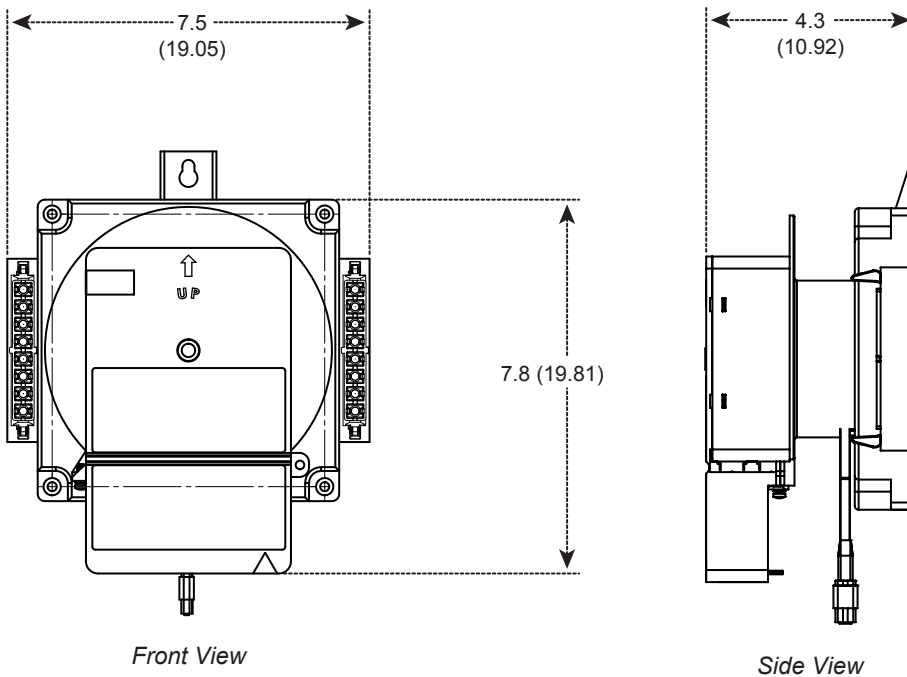
Specifications

|                                  |   |
|----------------------------------|---|
| Size                             | 7.5" x 7.8"* x 4.5" (19 cm x 22.2 cm x 11.4 cm) |
| Weight                           | 1.2 lb (550 g)                                  |
| Shipping Size                    | 9" x 5" x 8" (22.8 cm x 20.2 cm x 12.7 cm)      |
| Shipping Weight                  | 1.65 lbs (750 g)                                |
| Master Pack Count                | 5 per box                                       |
| Pallet Count (# Master, Total #) | 80 per pallet                                   |
| Number of Terminations (common)  | 12  |
| Wall Mountable                   | All surfaces                                    |
| Color                            | Central office white                            |

Designed for:

|                                |                                    |
|--------------------------------|------------------------------------|
| Fire Rating of Plastics        | UL-94, rated V-0                   |
| In Use Temperature Rating      | 23 °F to 122 °F (-5 °C to 50 °C)   |
| Storage Temperature Rating     | -4 °F to 158 °F (-20 °C to +70 °C) |
| Water Rating (NEMA/IP ratings) | NEMA 12/IP 52                      |

\* 8.75" with keyhole tab



**Note 1:** All dimensions given in inches and centimeters (in parentheses)

**Note 2:** Dimensions shown are for the standard V-Linx Terminal. The larger V-Linx Terminal dimensions are: 10.0" X 8.0" X 4.7" (25.3 cm X 20.2 cm X 11.9 cm)

Optical Performance

|                      |                |
|----------------------|----------------|
| Insertion Loss (max) | 1.25 dB        |
| Return Loss          | -55 dB nominal |

For additional information please contact your sales representative. You can also visit our website at [www.ofsoptics.com](http://www.ofsoptics.com) or call 1-888-fiberhelp (1-888-342-3743) USA or 1-770-798-5555 outside the USA.



Copyright © 2020 OFS Fitel, LLC. All rights reserved, printed in USA.

OFS Marketing Communications  
DOC: fap-237 Date: 03/20



AllWave and EZ-Bend are registered trademarks and AccuFlex, FOX, and V-Linx are trademarks of OFS FITEL, LLC. OFS reserves the right to make changes to the prices and product(s) described in this document at any time without notice. This document is for informational purposes only and is not intended to modify or supplement any OFS warranties or specifications relating to any of its products or services.