

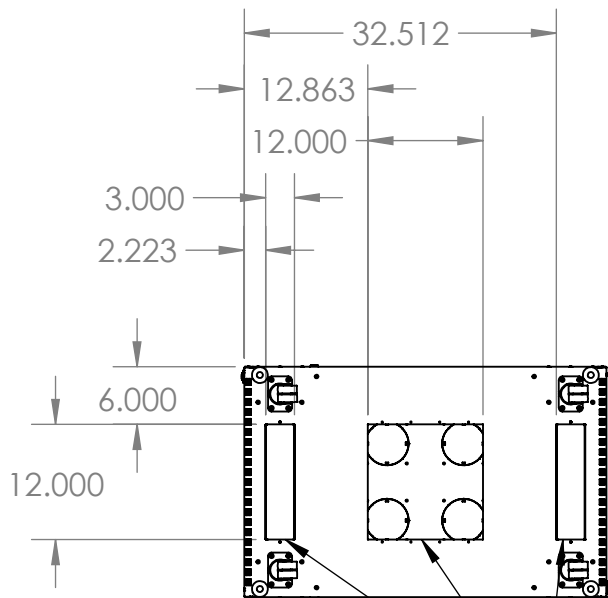
**PROPRIETARY AND CONFIDENTIAL**  
THE INFORMATION CONTAINED IN THIS DRAWING IS THE SOLE PROPERTY OF KENDALL HOWARD. ANY REPRODUCTION IN PART OR AS A WHOLE WITHOUT THE WRITTEN PERMISSION OF KENDALL HOWARD IS STRICTLY PROHIBITED.

<b>WEB PRINT</b>	
NEXT ASSY	USED ON
APPLICATION	

UNLESS OTHERWISE SPECIFIED: DIMENSIONS ARE IN INCHES TOLERANCES: FRACTIONAL ± 1/8 ANGULAR: BEND ± 1 DEGREE TWO PLACE DECIMAL ± .03 THREE PLACE DECIMAL ± .01	
Surface Area	
MATERIAL	
FINISH	
DO NOT SCALE DRAWING	

DRAWN	NAME	DATE
CHECKED		
ENG APPR.		
MFG APPR.		
Q.A.		
COMMENTS:		

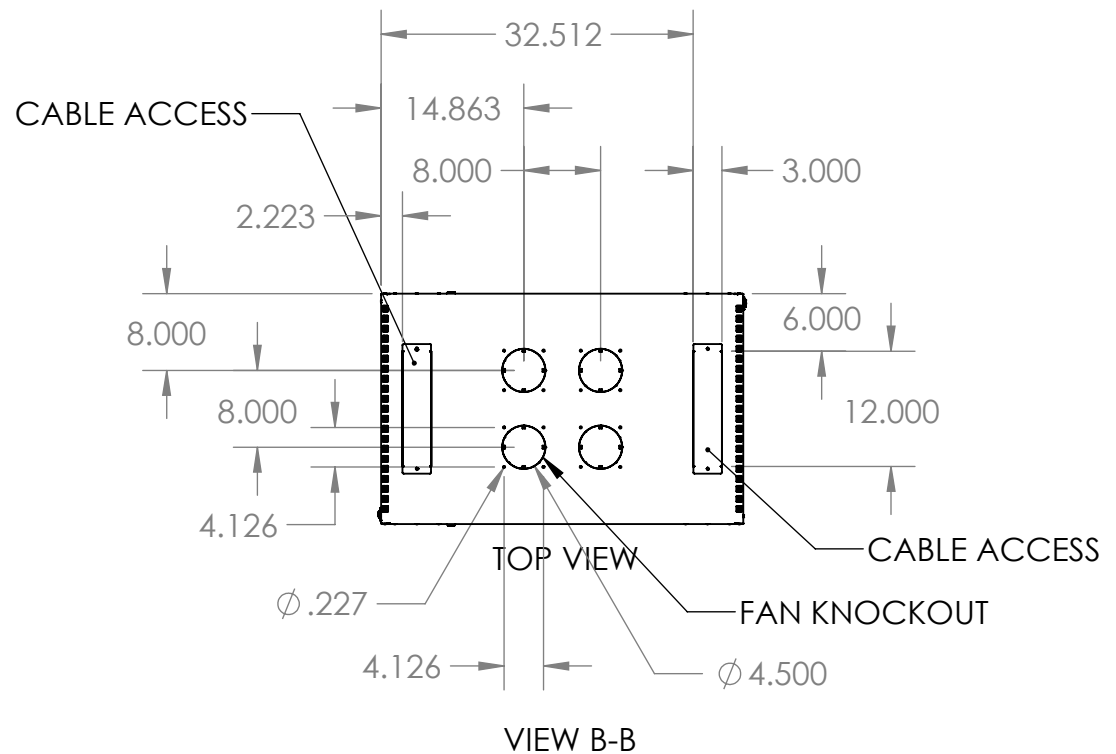
<b>KENDALL HOWARD</b>		
TITLE: <b>22U LINIER FS GLASS FRONT/ VENTED REAR</b>		
SIZE	DWG. NO.	REV
<b>A</b>	<b>3100-3-001-22 WP</b>	
SCALE: 1:20	WEIGHT: 114.25	SHEET 1 OF 2



BOTTOM VIEW

VIEW A-A

CABLE ACCESS



TOP VIEW

VIEW B-B

**PROPRIETARY AND CONFIDENTIAL**  
 THE INFORMATION CONTAINED IN THIS DRAWING IS THE SOLE PROPERTY OF KENDALL HOWARD. ANY REPRODUCTION IN PART OR AS A WHOLE WITHOUT THE WRITTEN PERMISSION OF KENDALL HOWARD IS STRICTLY PROHIBITED.

**WEB PRINT**

NEXT ASSY		USED ON	APPLICATION
MATERIAL		FINISH	DO NOT SCALE DRAWING

UNLESS OTHERWISE SPECIFIED:  
 DIMENSIONS ARE IN INCHES  
 TOLERANCES:  
 FRACTIONAL  $\pm 1/8$   
 ANGULAR: BEND  $\pm 1$  DEGREE  
 TWO PLACE DECIMAL  $\pm .03$   
 THREE PLACE DECIMAL  $\pm .01$

	NAME	DATE
DRAWN		
CHECKED		
ENG APPR.		
MFG APPR.		
Q.A.		
COMMENTS:		

**KENDALL HOWARD**

TITLE:  
**22U LINIER FS GLASS FRONT/ VENTED REAR**

SIZE	DWG. NO.	REV
<b>A</b>	<b>3100-3-001-22 WP</b>	
SCALE: 1:20	WEIGHT: 114.25	SHEET 2 OF 2