

NOTE:


1. 19" EIA RACK MOUNT COMPLIANT.
2. RAILS ACCEPT 3/8" CAGENUT.
3. BLACK POWDER COAT.

PROPRIETARY AND CONFIDENTIAL
THE INFORMATION CONTAINED IN THIS DRAWING IS THE SOLE PROPERTY OF KENDALL HOWARD. ANY REPRODUCTION IN PART OR AS A WHOLE WITHOUT THE WRITTEN PERMISSION OF KENDALL HOWARD IS STRICTLY PROHIBITED.

WEB PRINT

| | |
|--|---------|
| UNLESS OTHERWISE SPECIFIED: DIMENSIONS ARE IN INCHES TOLERANCES: FRACTIONAL ± 1/8 ANGULAR: BEND ± 1 DEGREE TWO PLACE DECIMAL ± .03 THREE PLACE DECIMAL ± .01 | |
| Surface Area | |
| MATERIAL | |
| FINISH | |
| NEXT ASSY | USED ON |
| APPLICATION | |
| DO NOT SCALE DRAWING | |

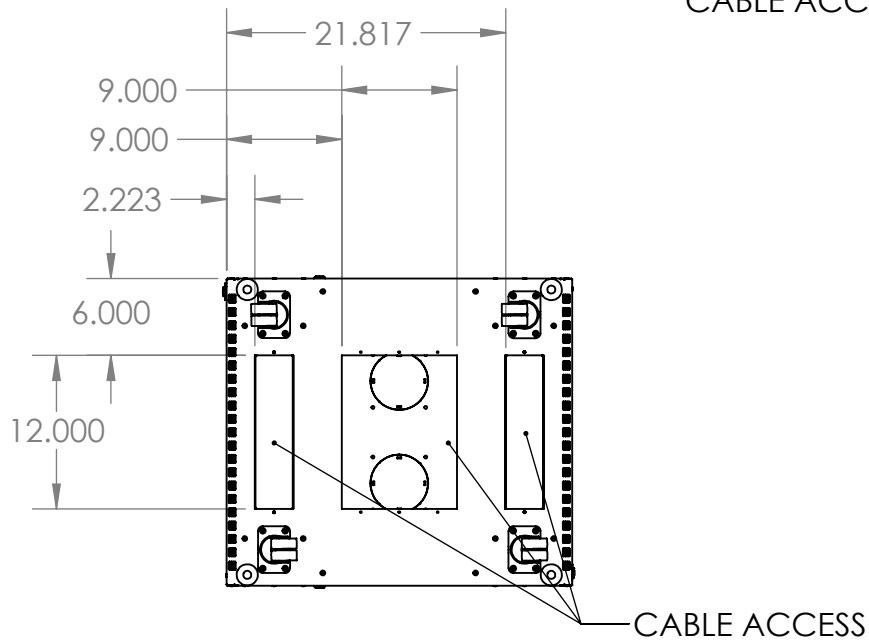
| | |
|-----------|------|
| NAME | DATE |
| DRAWN | |
| CHECKED | |
| ENG APPR. | |
| MFG APPR. | |
| Q.A. | |
| COMMENTS: | |

KENDALL HOWARD 

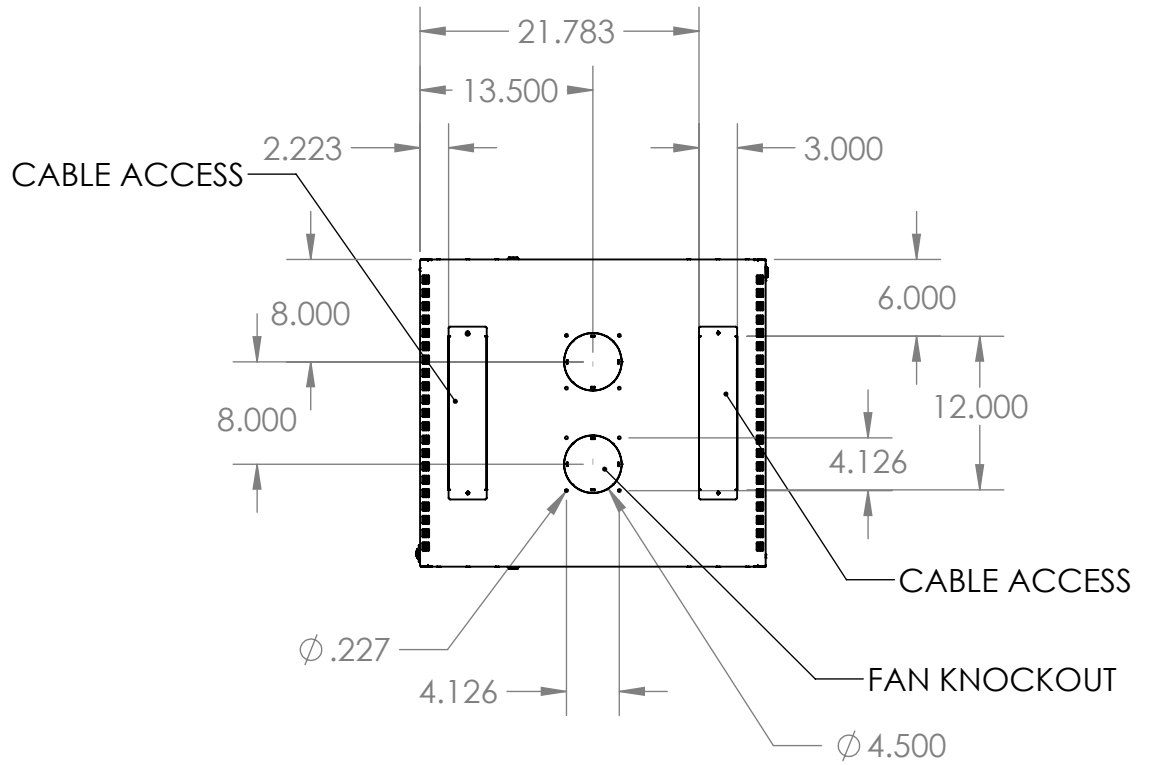
TITLE:
**22U LINIER AV CABINET
GLASS FRONT/VENTED REAR**

| | | |
|----------|-------------------------|----------|
| SIZE | DWG. NO. | REV |
| A | 3100-3-024-22 WP | - |

SCALE: 1:20 WEIGHT: 96.94 SHEET 1 OF 2



VIEW A-A
SCALE 1 : 15
BOTTOM VIEW



VIEW B-B
SCALE 1 : 15
TOP VIEW

PROPRIETARY AND CONFIDENTIAL
THE INFORMATION CONTAINED IN THIS DRAWING IS THE SOLE PROPERTY OF KENDALL HOWARD. ANY REPRODUCTION IN PART OR AS A WHOLE WITHOUT THE WRITTEN PERMISSION OF KENDALL HOWARD IS STRICTLY PROHIBITED.

WEB PRINT

| | | |
|----------------------|--|---------|
| NEXT ASSY | | USED ON |
| APPLICATION | | |
| DO NOT SCALE DRAWING | | |

UNLESS OTHERWISE SPECIFIED:
DIMENSIONS ARE IN INCHES
TOLERANCES:
FRACTIONAL $\pm 1/8$
ANGULAR: BEND ± 1 DEGREE
TWO PLACE DECIMAL $\pm .03$
THREE PLACE DECIMAL $\pm .01$

| | | |
|--------------|-----------|------|
| Surface Area | NAME | DATE |
| MATERIAL | DRAWN | |
| FINISH | CHECKED | |
| | ENG APPR. | |
| | MFG APPR. | |
| | Q.A. | |
| | COMMENTS: | |

KENDALL HOWARD

TITLE:
**22U LINIER AV CABINET
GLASS FRONT/VENTED REAR**

| | | |
|----------|-------------------------|----------|
| SIZE | DWG. NO. | REV |
| A | 3100-3-024-22 WP | - |

SCALE: 1:20 WEIGHT: 96.94 SHEET 2 OF 2