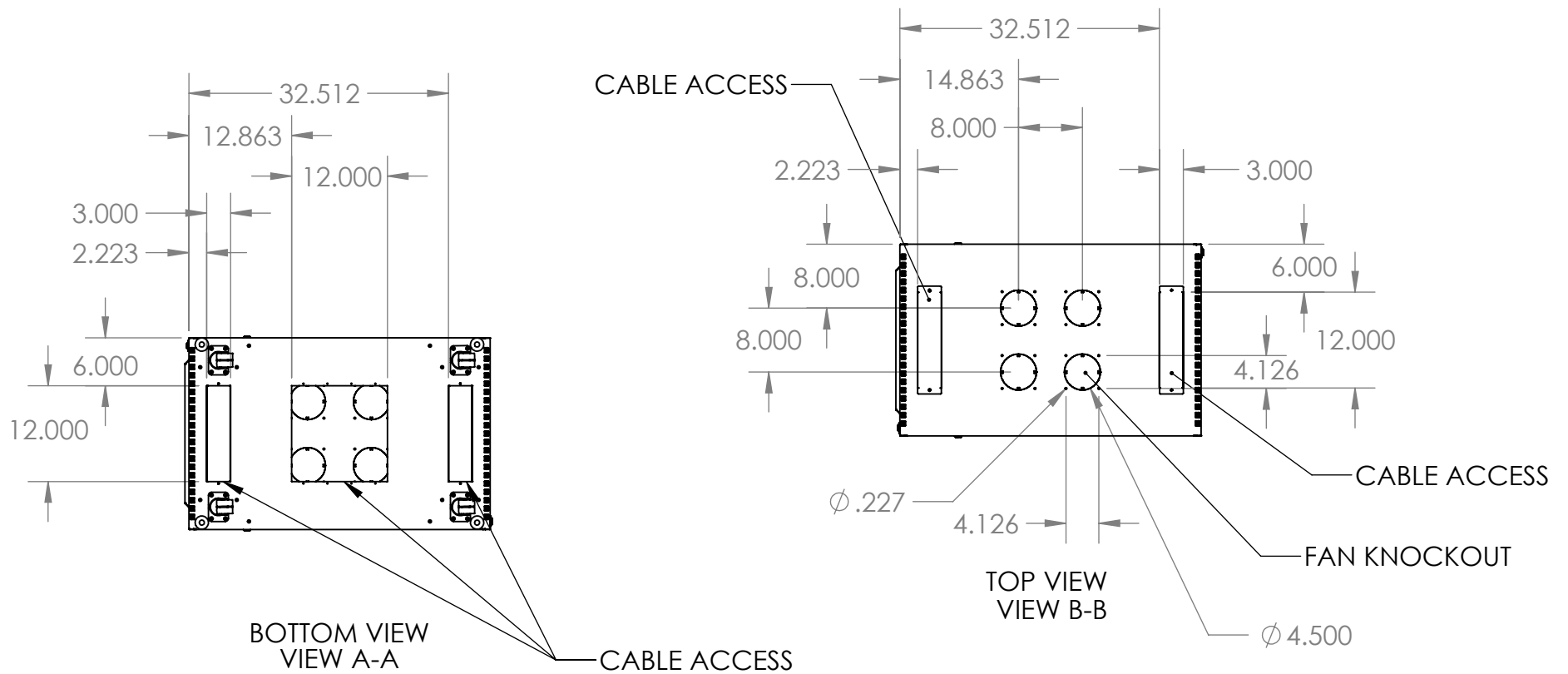


- NOTE:
1. 19" EIA RACK MOUNT COMPLIANT.
 2. RAILS ACCEPT 3/8" CAGENUT.
 3. BLACK POWDER COAT.

<p>WEB PRINT</p>		UNLESS OTHERWISE SPECIFIED: DIMENSIONS ARE IN INCHES TOLERANCES: FRACTIONAL ± 1/8 ANGULAR: BEND ± 1 DEGREE TWO PLACE DECIMAL ± .03 THREE PLACE DECIMAL ± .01 Surface Area		NAME	DATE	<p>KENDALL HOWARD </p> <p>TITLE: 37U LINIER FS CONVEX FRONT/ GLASS REAR</p>
		MATERIAL		DRAWN		
		FINISH		CHECKED		
		APPLICATION		ENG APPR.		
		DO NOT SCALE DRAWING		MFG APPR.		
<p>PROPRIETARY AND CONFIDENTIAL THE INFORMATION CONTAINED IN THIS DRAWING IS THE SOLE PROPERTY OF KENDALL HOWARD. ANY REPRODUCTION IN PART OR AS A WHOLE WITHOUT THE WRITTEN PERMISSION OF KENDALL HOWARD IS STRICTLY PROHIBITED.</p>		NEXT ASSY USED ON APPLICATION	MFG APPR. Q.A. COMMENTS:	SIZE A	DWG. NO. 3102-3-001-37 WP	REV
				SCALE: 1:20 WEIGHT: 160.48 SHEET 1 OF 2		



PROPRIETARY AND CONFIDENTIAL
 THE INFORMATION CONTAINED IN THIS DRAWING IS THE SOLE PROPERTY OF KENDALL HOWARD. ANY REPRODUCTION IN PART OR AS A WHOLE WITHOUT THE WRITTEN PERMISSION OF KENDALL HOWARD IS STRICTLY PROHIBITED.

WEB PRINT	
NEXT ASSY	USED ON
APPLICATION	

UNLESS OTHERWISE SPECIFIED: DIMENSIONS ARE IN INCHES TOLERANCES: FRACTIONAL $\pm 1/8$ ANGULAR: BEND ± 1 DEGREE TWO PLACE DECIMAL $\pm .03$ THREE PLACE DECIMAL $\pm .01$	
Surface Area	
MATERIAL	
FINISH	
DO NOT SCALE DRAWING	

	NAME	DATE
DRAWN		
CHECKED		
ENG APPR.		
MFG APPR.		
Q.A.		
COMMENTS:		

KENDALL HOWARD		
TITLE: 37U LINIER FS CONVEX FRONT/ GLASS REAR		
SIZE	DWG. NO.	REV
A	3102-3-001-37 WP	
SCALE: 1:20	WEIGHT: 160.48	SHEET 2 OF 2