

VENTING FRONT,  
SIDES AND REAR,  
TOP AND BOTTOM

- NOTE:
1. 19" EIA RACK MOUNT COMPLIANT.
  2. RAILS ACCEPT 3/8" CAGENUT.
  3. BLACK POWDER COAT.

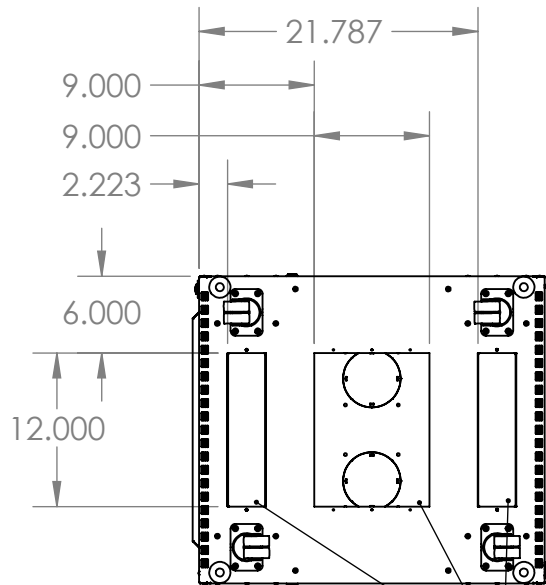
**PROPRIETARY AND CONFIDENTIAL**  
THE INFORMATION CONTAINED IN THIS  
DRAWING IS THE SOLE PROPERTY OF  
KENDALL HOWARD. ANY REPRODUCTION  
IN PART OR AS A WHOLE WITHOUT THE  
WRITTEN PERMISSION OF KENDALL HOWARD  
IS STRICTLY PROHIBITED.

|                  |         |
|------------------|---------|
| <b>WEB PRINT</b> |         |
| NEXT ASSY        | USED ON |
| APPLICATION      |         |

|  |  |
|--|--|
| UNLESS OTHERWISE SPECIFIED:<br>DIMENSIONS ARE IN INCHES<br>TOLERANCES:<br>FRACTIONAL ± 1/8<br>ANGULAR: BEND ± 1 DEGREE<br>TWO PLACE DECIMAL ± .03<br>THREE PLACE DECIMAL ± .01 |  |
| Surface Area   |  |
| MATERIAL   |  |
| FINISH   |  |
| DO NOT SCALE DRAWING   |  |

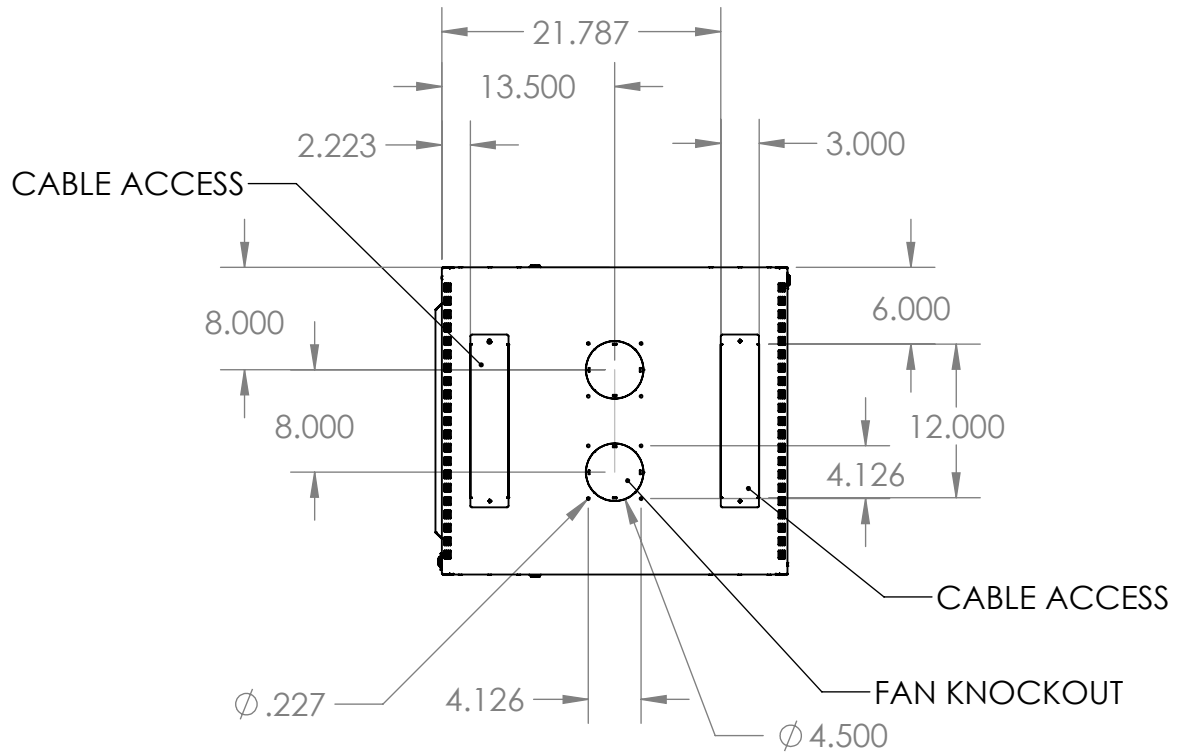
|           |      |      |
|-----------|------|------|
| DRAWN     | NAME | DATE |
| CHECKED   |      |      |
| ENG APPR. |      |      |
| MFG APPR. |      |      |
| Q.A.      |      |      |
| COMMENTS: |      |      |

|   |                         |              |
|---|-------------------------|--------------|
| <b>KENDALL HOWARD</b>                                       |                         |              |
| TITLE:<br><b>22U LINIER AV CONVEX<br/>FRONT/ GLASS REAR</b> |                         |              |
| SIZE  | DWG. NO.                | REV          |
| <b>A</b>  | <b>3102-3-024-22 WP</b> |              |
| SCALE: 1:20   | WEIGHT: 97.20           | SHEET 1 OF 2 |



VIEW A-A  
SCALE 1 : 15  
BOTTOM VIEW

CABLE ACCESS



VIEW B-B  
SCALE 1 : 15  
TOP VIEW

UNLESS OTHERWISE SPECIFIED:  
DIMENSIONS ARE IN INCHES  
TOLERANCES:  
FRACTIONAL  $\pm 1/8$   
ANGULAR: BEND  $\pm 1$  DEGREE  
TWO PLACE DECIMAL  $\pm .03$   
THREE PLACE DECIMAL  $\pm .01$

Surface Area

MATERIAL

FINISH

DO NOT SCALE DRAWING

**WEB PRINT**

NEXT ASSY

USED ON

APPLICATION

NAME DATE

DRAWN

CHECKED

ENG APPR.

MFG APPR.

Q.A.

COMMENTS:

**KENDALL HOWARD**

TITLE:

**22U LINIER AV CONVEX  
FRONT/ GLASS REAR**

SIZE DWG. NO.

**A 3102-3-024-22 WP**

REV

SCALE: 1:20 WEIGHT: 97.20

SHEET 2 OF 2

**PROPRIETARY AND CONFIDENTIAL**  
THE INFORMATION CONTAINED IN THIS  
DRAWING IS THE SOLE PROPERTY OF  
KENDALL HOWARD. ANY REPRODUCTION  
IN PART OR AS A WHOLE WITHOUT THE  
WRITTEN PERMISSION OF KENDALL HOWARD  
IS STRICTLY PROHIBITED.