

VENTING FRONT, SIDES AND REAR, TOP AND BOTTOM

- NOTE:
1. 19" EIA RACK MOUNT COMPLIANT.
 2. RAILS ACCEPT 3/8" CAGENUT.
 3. BLACK POWDER COAT.

PROPRIETARY AND CONFIDENTIAL
 THE INFORMATION CONTAINED IN THIS DRAWING IS THE SOLE PROPERTY OF KENDALL HOWARD. ANY REPRODUCTION IN PART OR AS A WHOLE WITHOUT THE WRITTEN PERMISSION OF KENDALL HOWARD IS STRICTLY PROHIBITED.

| | |
|------------------|---------|
| WEB PRINT | |
| NEXT ASSY | USED ON |
| APPLICATION | |

UNLESS OTHERWISE SPECIFIED:
 DIMENSIONS ARE IN INCHES
 TOLERANCES:
 FRACTIONAL ± 1/8
 ANGULAR: BEND ± 1 DEGREE
 TWO PLACE DECIMAL ± .03
 THREE PLACE DECIMAL ± .01

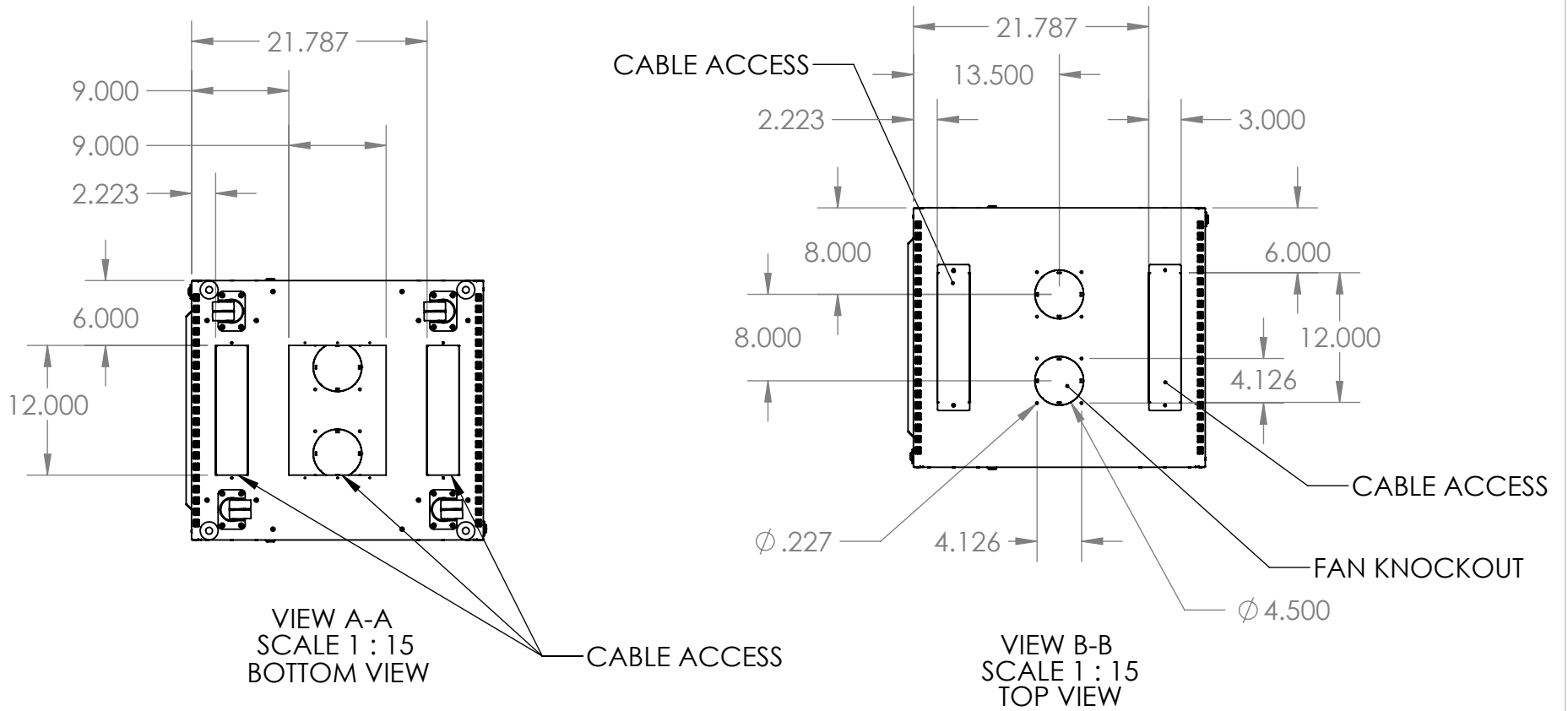
| | |
|----------------------|--|
| Surface Area | |
| MATERIAL | |
| FINISH | |
| DO NOT SCALE DRAWING | |

| | | |
|-----------|------|------|
| | NAME | DATE |
| DRAWN | | |
| CHECKED | | |
| ENG APPR. | | |
| MFG APPR. | | |
| Q.A. | | |
| COMMENTS: | | |

KENDALL HOWARD

TITLE:
37U LINIER AV CONVEX FRONT/ GLASS REAR

| | | |
|--------------|-------------------------|----------------|
| SIZE | DWG. NO. | REV |
| A | 3102-3-024-37 WP | |
| SCALE: 1:20 | | WEIGHT: 136.24 |
| SHEET 1 OF 2 | | |



VIEW A-A
SCALE 1 : 15
BOTTOM VIEW

VIEW B-B
SCALE 1 : 15
TOP VIEW

PROPRIETARY AND CONFIDENTIAL
THE INFORMATION CONTAINED IN THIS DRAWING IS THE SOLE PROPERTY OF KENDALL HOWARD. ANY REPRODUCTION IN PART OR AS A WHOLE WITHOUT THE WRITTEN PERMISSION OF KENDALL HOWARD IS STRICTLY PROHIBITED.

WEB PRINT

| | | | |
|-----------|--|---------|----------------------|
| NEXT ASSY | | USED ON | APPLICATION |
| MATERIAL | | FINISH | DO NOT SCALE DRAWING |

UNLESS OTHERWISE SPECIFIED:
DIMENSIONS ARE IN INCHES
TOLERANCES:
FRACTIONAL $\pm 1/8$
ANGULAR: BEND ± 1 DEGREE
TWO PLACE DECIMAL $\pm .03$
THREE PLACE DECIMAL $\pm .01$

| | |
|-----------|------|
| NAME | DATE |
| DRAWN | |
| CHECKED | |
| ENG APPR. | |
| MFG APPR. | |
| Q.A. | |
| COMMENTS: | |

KENDALL HOWARD

TITLE:
**37U LINIER AV CONVEX
FRONT/ GLASS REAR**

SIZE DWG. NO. REV
A 3102-3-024-37 WP

SCALE: 1:20 WEIGHT: 136.24 SHEET 2 OF 2