

- NOTE:
1. 19" EIA RACK MOUNT COMPLIANT.
  2. RAILS ACCEPT 3/8" CAGENUT.
  3. BLACK POWDER COAT.

VENTING FRONT, SIDES AND REAR, TOP AND BOTTOM

UNLESS OTHERWISE SPECIFIED:  
 DIMENSIONS ARE IN INCHES  
 TOLERANCES:  
 FRACTIONAL ± 1/8  
 ANGULAR: BEND ± 1 DEGREE  
 TWO PLACE DECIMAL ± .03  
 THREE PLACE DECIMAL ± .01  
 Surface Area

**WEB PRINT**

**PROPRIETARY AND CONFIDENTIAL**  
 THE INFORMATION CONTAINED IN THIS DRAWING IS THE SOLE PROPERTY OF KENDALL HOWARD. ANY REPRODUCTION IN PART OR AS A WHOLE WITHOUT THE WRITTEN PERMISSION OF KENDALL HOWARD IS STRICTLY PROHIBITED.

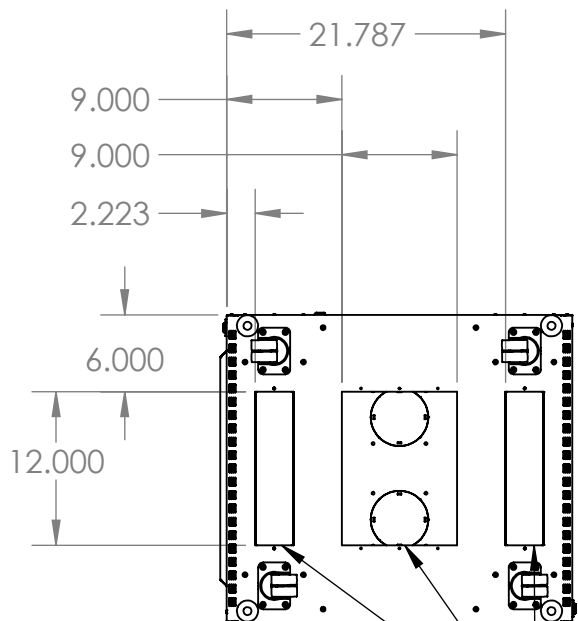
NEXT ASSY		USED ON	MATERIAL	NAME	DATE
APPLICATION		DO NOT SCALE DRAWING	FINISH	DRAWN	
				CHECKED	
				ENG APPR.	
				MFG APPR.	
				Q.A.	
				COMMENTS:	

**KENDALL HOWARD**

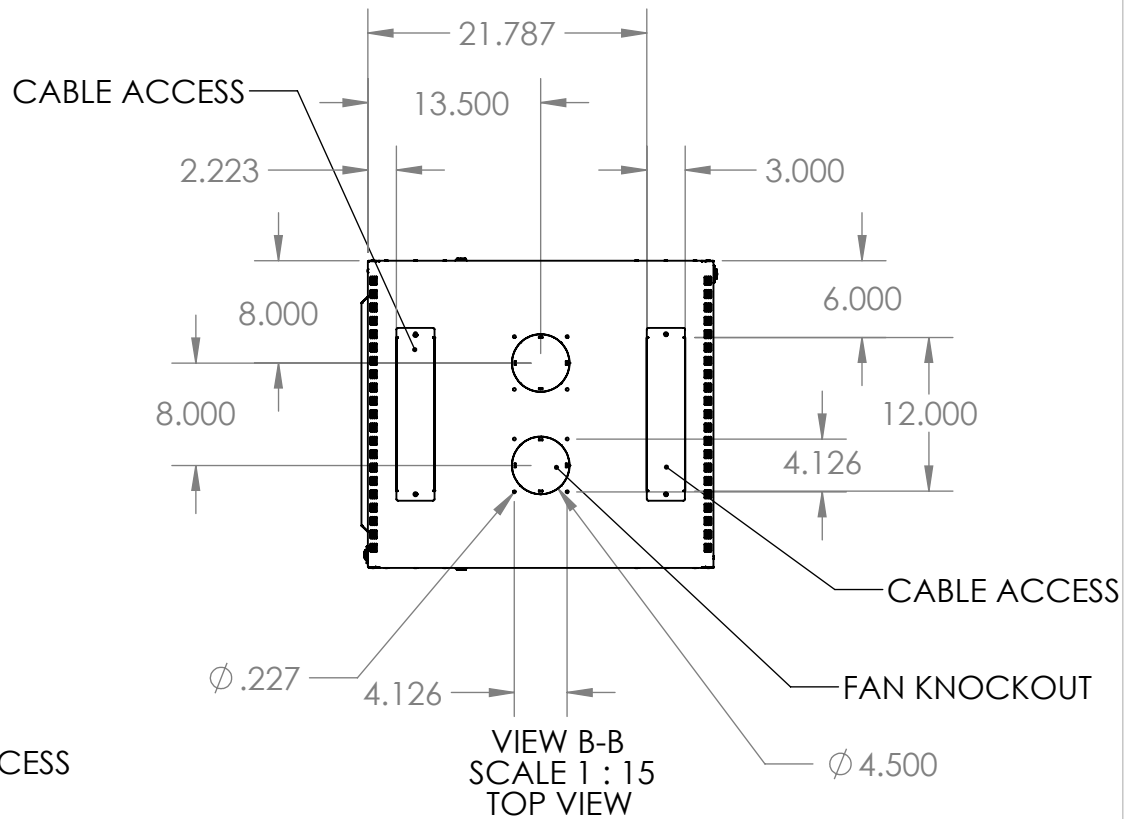
TITLE:  
**42U LINIER AV CONVEX FRONT/ GLASS REAR**

SIZE DWG. NO. REV  
**A 3102-3-024-42 WP**

SCALE: 1:20 WEIGHT: 149.35 SHEET 1 OF 2



VIEW A-A  
SCALE 1 : 15  
BOTTOM VIEW



VIEW B-B  
SCALE 1 : 15  
TOP VIEW

**PROPRIETARY AND CONFIDENTIAL**  
THE INFORMATION CONTAINED IN THIS DRAWING IS THE SOLE PROPERTY OF KENDALL HOWARD. ANY REPRODUCTION IN PART OR AS A WHOLE WITHOUT THE WRITTEN PERMISSION OF KENDALL HOWARD IS STRICTLY PROHIBITED.

<b>WEB PRINT</b>	
NEXT ASSY	USED ON
APPLICATION	

UNLESS OTHERWISE SPECIFIED: DIMENSIONS ARE IN INCHES TOLERANCES: FRACTIONAL $\pm 1/8$ ANGULAR: BEND $\pm 1$ DEGREE TWO PLACE DECIMAL $\pm .03$ THREE PLACE DECIMAL $\pm .01$
Surface Area
MATERIAL
FINISH
DO NOT SCALE DRAWING

	NAME	DATE
DRAWN		
CHECKED		
ENG APPR.		
MFG APPR.		
Q.A.		
COMMENTS:		

<b>KENDALL HOWARD</b>		
TITLE: <b>42U LINIER AV CONVEX FRONT/ GLASS REAR</b>		
SIZE	DWG. NO.	REV
<b>A</b>	<b>3102-3-024-42 WP</b>	
SCALE: 1:20	WEIGHT: 149.35	SHEET 2 OF 2