

- NOTE:
1. 19" EIA RACK MOUNT COMPLIANT.
 2. RAILS ACCEPT 3/8" CAGENUT.
 3. BLACK POWDER COAT.

VENTING FRONT, SIDES AND REAR, TOP AND BOTTOM

UNLESS OTHERWISE SPECIFIED:
 DIMENSIONS ARE IN INCHES
 TOLERANCES:
 FRACTIONAL ± 1/8
 ANGULAR: BEND ± 1 DEGREE
 TWO PLACE DECIMAL ± .03
 THREE PLACE DECIMAL ± .01
 Surface Area

WEB PRINT	
NEXT ASSY	USED ON
APPLICATION	

MATERIAL	NAME	DATE
FINISH	DRAWN	
	CHECKED	
	ENG APPR.	
	MFG APPR.	
	Q.A.	
	COMMENTS:	
DO NOT SCALE DRAWING		

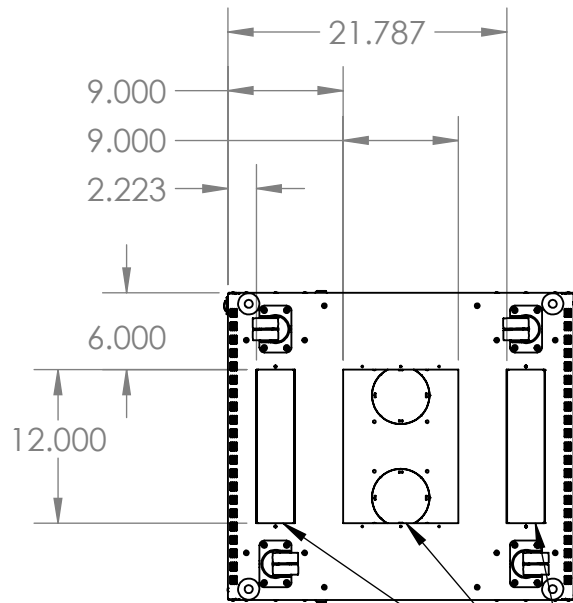
KENDALL HOWARD

TITLE:
42U LINIER AV GLASS FRONT/ GLASS REAR

SIZE	DWG. NO.	REV
A	3103-3-024-42 WP	

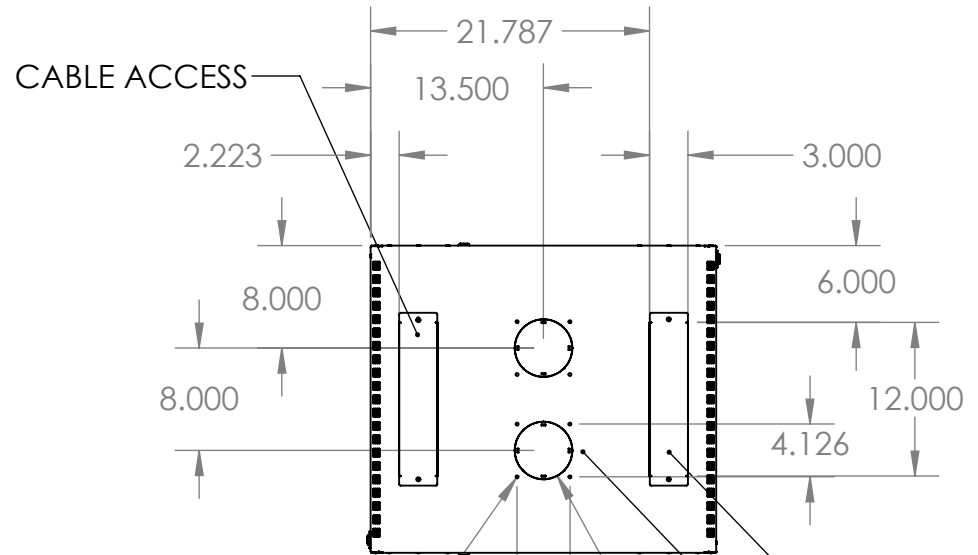
SCALE: 1:20 WEIGHT: 147.45 SHEET 1 OF 2

PROPRIETARY AND CONFIDENTIAL
 THE INFORMATION CONTAINED IN THIS DRAWING IS THE SOLE PROPERTY OF KENDALL HOWARD. ANY REPRODUCTION IN PART OR AS A WHOLE WITHOUT THE WRITTEN PERMISSION OF KENDALL HOWARD IS STRICTLY PROHIBITED.



VIEW A-A
SCALE 1 : 15
BOTTOM VIEW

CABLE ACCESS



VIEW B-B
SCALE 1 : 15
TOP VIEW

CABLE ACCESS

FAN KNOCKOUT

ϕ 4.500

ϕ .227

4.126

UNLESS OTHERWISE SPECIFIED:
DIMENSIONS ARE IN INCHES
TOLERANCES:
FRACTIONAL $\pm 1/8$
ANGULAR: BEND ± 1 DEGREE
TWO PLACE DECIMAL $\pm .03$
THREE PLACE DECIMAL $\pm .01$

Surface Area

MATERIAL

FINISH

DO NOT SCALE DRAWING

WEB PRINT

NEXT ASSY

USED ON

APPLICATION

NAME DATE

DRAWN

CHECKED

ENG APPR.

MFG APPR.

Q.A.

COMMENTS:

KENDALL HOWARD 

TITLE:

**42U LINIER AV GLASS
FRONT/ GLASS REAR**

SIZE DWG. NO.

A 3103-3-024-42 WP

REV

SCALE: 1:20 WEIGHT: 147.45 SHEET 2 OF 2

PROPRIETARY AND CONFIDENTIAL
THE INFORMATION CONTAINED IN THIS
DRAWING IS THE SOLE PROPERTY OF
KENDALL HOWARD. ANY REPRODUCTION
IN PART OR AS A WHOLE WITHOUT THE
WRITTEN PERMISSION OF KENDALL HOWARD
IS STRICTLY PROHIBITED.