

- NOTE:
1. 19" EIA RACK MOUNT COMPLIANT.
 2. RAILS ACCEPT 3/8" CAGENUT.
 3. BLACK POWDER COAT.

UNLESS OTHERWISE SPECIFIED:
 DIMENSIONS ARE IN INCHES
 TOLERANCES:
 FRACTIONAL $\pm 1/8$
 ANGULAR: BEND ± 1 DEGREE
 TWO PLACE DECIMAL $\pm .03$
 THREE PLACE DECIMAL $\pm .01$
 Surface Area

WEB PRINT

PROPRIETARY AND CONFIDENTIAL
 THE INFORMATION CONTAINED IN THIS DRAWING IS THE SOLE PROPERTY OF KENDALL HOWARD. ANY REPRODUCTION IN PART OR AS A WHOLE WITHOUT THE WRITTEN PERMISSION OF KENDALL HOWARD IS STRICTLY PROHIBITED.

NEXT ASSY		USED ON	MATERIAL
APPLICATION		DO NOT SCALE DRAWING	FINISH

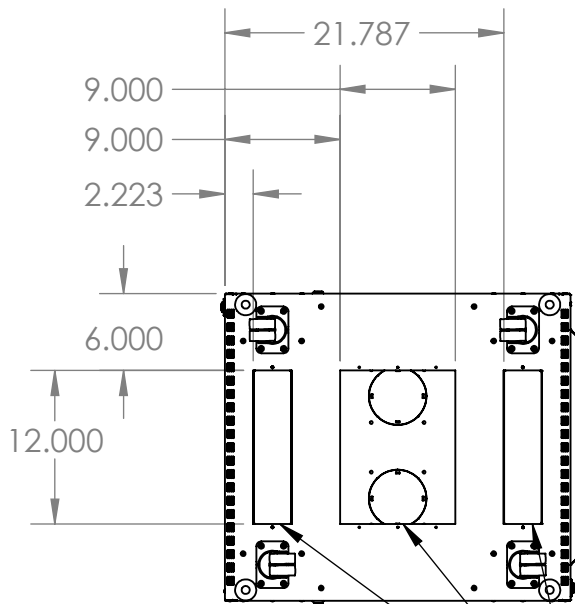
	NAME	DATE
DRAWN		
CHECKED		
ENG APPR.		
MFG APPR.		
Q.A.		
COMMENTS:		

KENDALL HOWARD

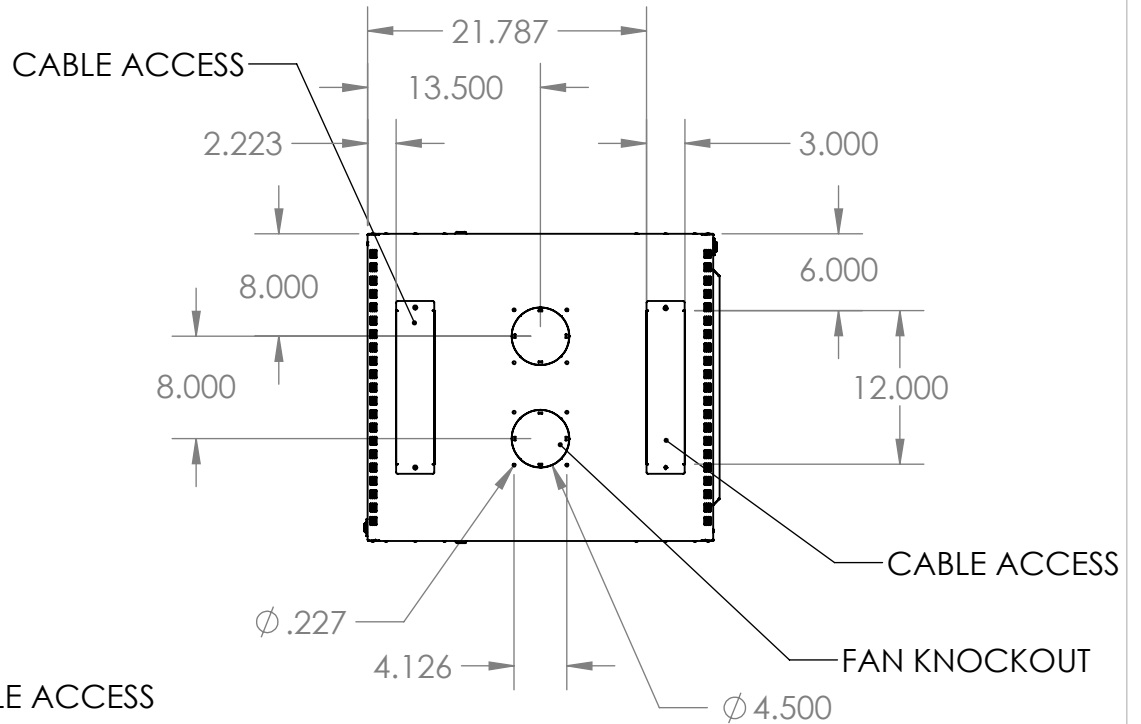
TITLE:
27U LINIER AV SOLID FRONT/ CONVEX REAR

SIZE	DWG. NO.	REV
A	3104-3-024-27 WP	

SCALE: 1:20 WEIGHT: 111.10 SHEET 1 OF 2



VIEW A-A
SCALE 1 : 15
BOTTOM VIEW



VIEW B-B
SCALE 1 : 15
TOP VIEW

PROPRIETARY AND CONFIDENTIAL
THE INFORMATION CONTAINED IN THIS DRAWING IS THE SOLE PROPERTY OF KENDALL HOWARD. ANY REPRODUCTION IN PART OR AS A WHOLE WITHOUT THE WRITTEN PERMISSION OF KENDALL HOWARD IS STRICTLY PROHIBITED.

WEB PRINT

NEXT ASSY		USED ON	APPLICATION
MATERIAL		FINISH	DO NOT SCALE DRAWING

UNLESS OTHERWISE SPECIFIED:
DIMENSIONS ARE IN INCHES
TOLERANCES:
FRACTIONAL $\pm 1/8$
ANGULAR: BEND ± 1 DEGREE
TWO PLACE DECIMAL $\pm .03$
THREE PLACE DECIMAL $\pm .01$

NAME	DATE
DRAWN	
CHECKED	
ENG APPR.	
MFG APPR.	
Q.A.	
COMMENTS:	

KENDALL HOWARD

TITLE:
27U LINIER AV SOLID FRONT/ CONVEX REAR

SIZE DWG. NO. REV
A 3104-3-024-27 WP

SCALE: 1:20 WEIGHT: 111.10 SHEET 2 OF 2