

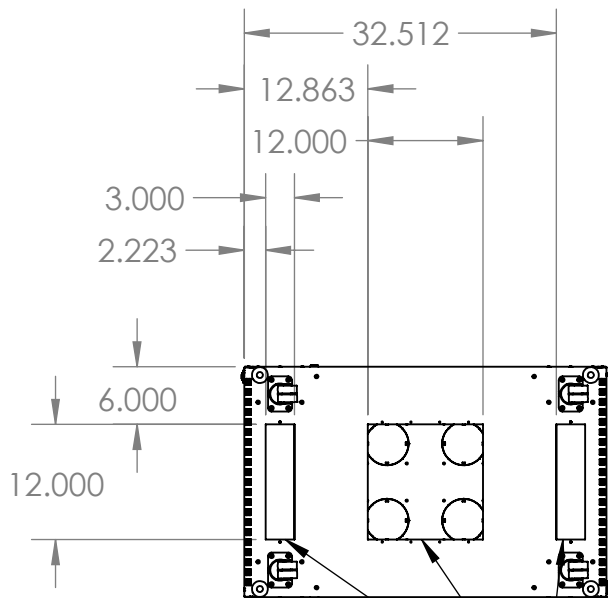
**PROPRIETARY AND CONFIDENTIAL**  
THE INFORMATION CONTAINED IN THIS DRAWING IS THE SOLE PROPERTY OF KENDALL HOWARD. ANY REPRODUCTION IN PART OR AS A WHOLE WITHOUT THE WRITTEN PERMISSION OF KENDALL HOWARD IS STRICTLY PROHIBITED.

<b>WEB PRINT</b>	
NEXT ASSY	USED ON
APPLICATION	

UNLESS OTHERWISE SPECIFIED: DIMENSIONS ARE IN INCHES TOLERANCES: FRACTIONAL ± 1/8 ANGULAR: BEND ± 1 DEGREE TWO PLACE DECIMAL ± .03 THREE PLACE DECIMAL ± .01	
Surface Area	
MATERIAL	
FINISH	
DO NOT SCALE DRAWING	

NAME	DATE
DRAWN	
CHECKED	
ENG APPR.	
MFG APPR.	
Q.A.	
COMMENTS:	

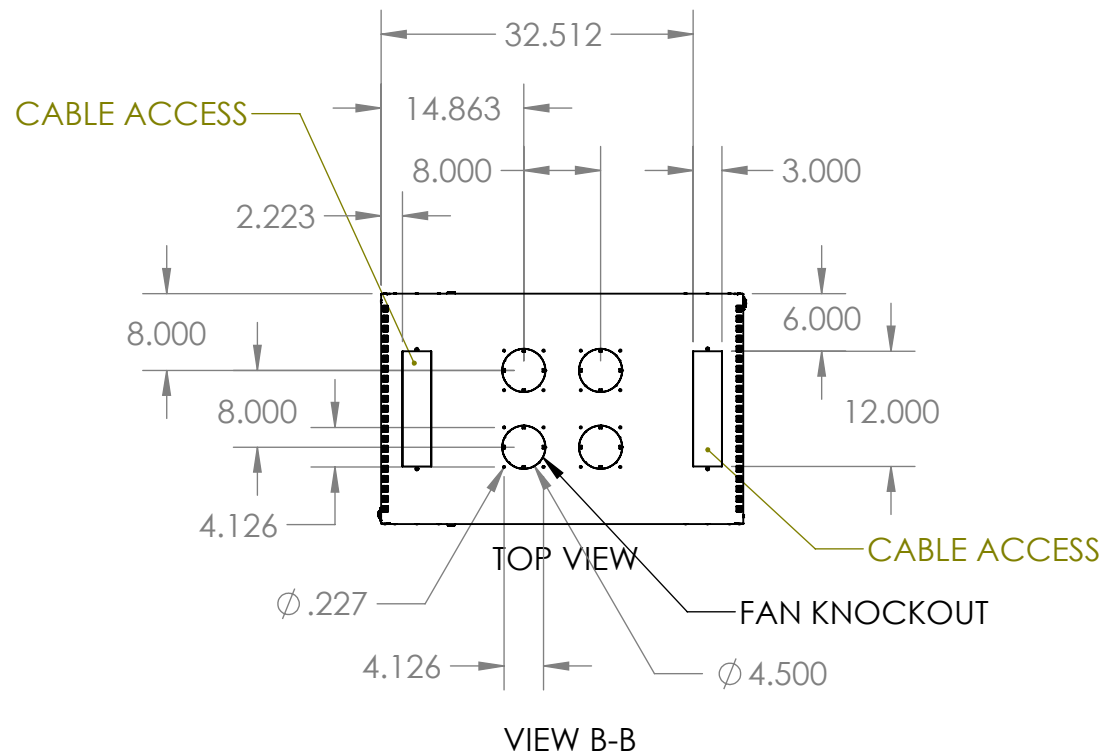
<b>KENDALL HOWARD</b>		
TITLE: <b>22U LINIER FS SOLID FRONT/ VENTED REAR</b>		
SIZE	DWG. NO.	REV
<b>A</b>	<b>3106-3-001-22 WP</b>	
SCALE: 1:20	WEIGHT: 113.46	SHEET 1 OF 2



BOTTOM VIEW

VIEW A-A

CABLE ACCESS



TOP VIEW

VIEW B-B

CABLE ACCESS

FAN KNOCKOUT

**KENDALL HOWARD** 

TITLE:  
22U LINIER FS SOLID  
FRONT/ VENTED REAR

SIZE DWG. NO. REV  
**A** 3106-3-001-22 WP

SCALE: 1:20 WEIGHT: 113.46 SHEET 2 OF 2

UNLESS OTHERWISE SPECIFIED:  
DIMENSIONS ARE IN INCHES  
TOLERANCES:  
FRACTIONAL ± 1/8  
ANGULAR: BEND ± 1 DEGREE  
TWO PLACE DECIMAL ± .03  
THREE PLACE DECIMAL ± .01

**WEB PRINT**

**PROPRIETARY AND CONFIDENTIAL**  
THE INFORMATION CONTAINED IN THIS  
DRAWING IS THE SOLE PROPERTY OF  
KENDALL HOWARD. ANY REPRODUCTION  
IN PART OR AS A WHOLE WITHOUT THE  
WRITTEN PERMISSION OF KENDALL HOWARD  
IS STRICTLY PROHIBITED.

NEXT ASSY		USED ON	
APPLICATION			

Surface Area	
MATERIAL	
FINISH	
DO NOT SCALE DRAWING	

	NAME	DATE
DRAWN		
CHECKED		
ENG APPR.		
MFG APPR.		
Q.A.		
COMMENTS:		