

- NOTE:
1. 19" EIA RACK MOUNT COMPLIANT.
  2. RAILS ACCEPT 3/8" CAGENUT.
  3. BLACK POWDER COAT.

**PROPRIETARY AND CONFIDENTIAL**  
THE INFORMATION CONTAINED IN THIS DRAWING IS THE SOLE PROPERTY OF KENDALL HOWARD. ANY REPRODUCTION IN PART OR AS A WHOLE WITHOUT THE WRITTEN PERMISSION OF KENDALL HOWARD IS STRICTLY PROHIBITED.

<b>WEB PRINT</b>	
NEXT ASSY	USED ON
APPLICATION	

UNLESS OTHERWISE SPECIFIED:  
DIMENSIONS ARE IN INCHES  
TOLERANCES:  
FRACTIONAL ± 1/8  
ANGULAR: BEND ± 1 DEGREE  
TWO PLACE DECIMAL ± .03  
THREE PLACE DECIMAL ± .01

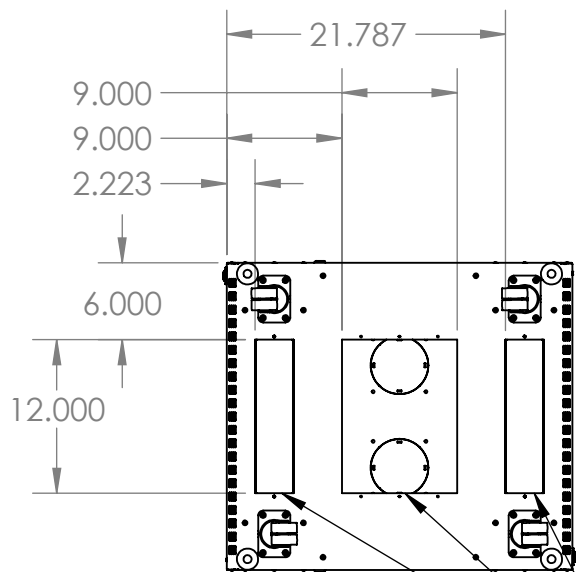
Surface Area	
MATERIAL	
FINISH	
DO NOT SCALE DRAWING	

	NAME	DATE
DRAWN		
CHECKED		
ENG APPR.		
MFG APPR.		
Q.A.		
COMMENTS:		

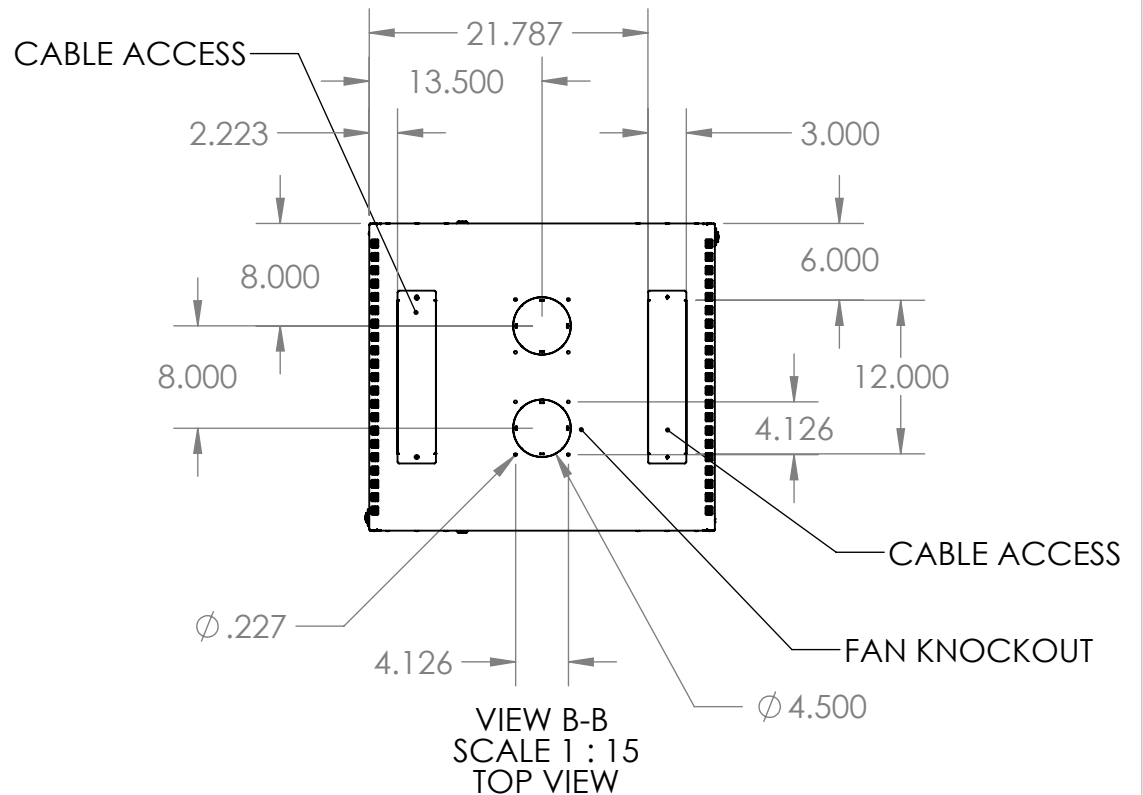
**KENDALL HOWARD**

TITLE:  
**37U LINIER AV SOLID FRONT/ VENTED REAR**

SIZE	DWG. NO.	REV
<b>A</b>	<b>3106-3-024-37 WP</b>	
SCALE: 1:20	WEIGHT: 137.01	SHEET 1 OF 2



VIEW A-A  
SCALE 1 : 15  
BOTTOM VIEW



VIEW B-B  
SCALE 1 : 15  
TOP VIEW

**PROPRIETARY AND CONFIDENTIAL**  
THE INFORMATION CONTAINED IN THIS DRAWING IS THE SOLE PROPERTY OF KENDALL HOWARD. ANY REPRODUCTION IN PART OR AS A WHOLE WITHOUT THE WRITTEN PERMISSION OF KENDALL HOWARD IS STRICTLY PROHIBITED.

**WEB PRINT**

NEXT ASSY		USED ON	APPLICATION
MATERIAL		FINISH	DO NOT SCALE DRAWING

UNLESS OTHERWISE SPECIFIED:  
DIMENSIONS ARE IN INCHES  
TOLERANCES:  
FRACTIONAL  $\pm 1/8$   
ANGULAR: BEND  $\pm 1$  DEGREE  
TWO PLACE DECIMAL  $\pm .03$   
THREE PLACE DECIMAL  $\pm .01$

NAME	DATE
DRAWN	
CHECKED	
ENG APPR.	
MFG APPR.	
Q.A.	
COMMENTS:	

**KENDALL HOWARD**

TITLE:  
**37U LINIER AV SOLID  
FRONT/ VENTED REAR**

SIZE DWG. NO. REV  
**A** 3106-3-024-37 WP

SCALE: 1:20 WEIGHT: 137.01 SHEET 2 OF 2