

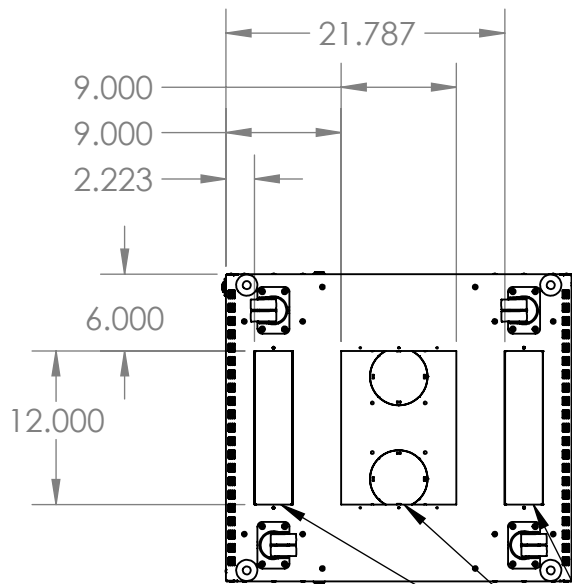
**PROPRIETARY AND CONFIDENTIAL**  
THE INFORMATION CONTAINED IN THIS DRAWING IS THE SOLE PROPERTY OF KENDALL HOWARD. ANY REPRODUCTION IN PART OR AS A WHOLE WITHOUT THE WRITTEN PERMISSION OF KENDALL HOWARD IS STRICTLY PROHIBITED.

<b>WEB PRINT</b>	
NEXT ASSY	USED ON
APPLICATION	

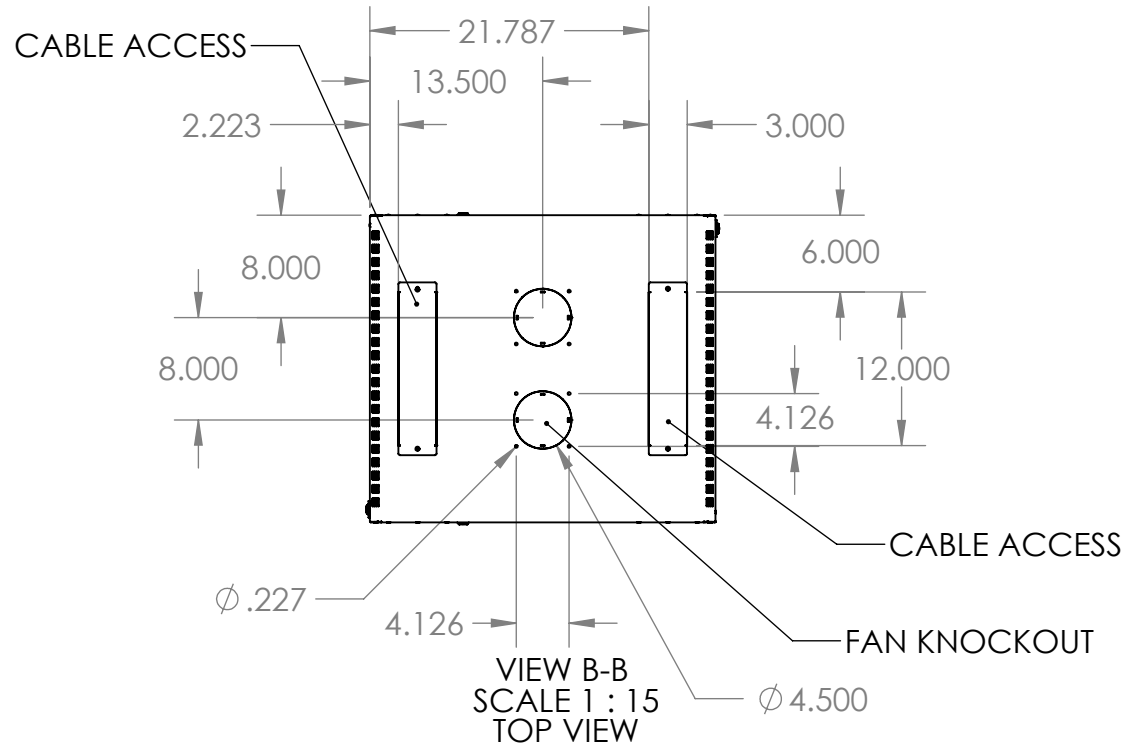
UNLESS OTHERWISE SPECIFIED: DIMENSIONS ARE IN INCHES TOLERANCES: FRACTIONAL ± 1/8 ANGULAR: BEND ± 1 DEGREE TWO PLACE DECIMAL ± .03 THREE PLACE DECIMAL ± .01	
Surface Area	
MATERIAL	
FINISH	
DO NOT SCALE DRAWING	

	NAME	DATE
DRAWN		
CHECKED		
ENG APPR.		
MFG APPR.		
Q.A.		
COMMENTS:		

<b>KENDALL HOWARD</b>		
TITLE: <b>42U LINIER AV SOLID FRONT/ VENTED REAR</b>		
SIZE <b>A</b>	DWG. NO. <b>3106-3-024-42 WP</b>	REV
SCALE: 1:20	WEIGHT: 150.10	SHEET 1 OF 2



VIEW A-A  
SCALE 1 : 15  
BOTTOM VIEW



VIEW B-B  
SCALE 1 : 15  
TOP VIEW

**PROPRIETARY AND CONFIDENTIAL**  
THE INFORMATION CONTAINED IN THIS DRAWING IS THE SOLE PROPERTY OF KENDALL HOWARD. ANY REPRODUCTION IN PART OR AS A WHOLE WITHOUT THE WRITTEN PERMISSION OF KENDALL HOWARD IS STRICTLY PROHIBITED.

**WEB PRINT**

NEXT ASSY		USED ON	APPLICATION
MATERIAL		FINISH	DO NOT SCALE DRAWING

UNLESS OTHERWISE SPECIFIED:  
DIMENSIONS ARE IN INCHES  
TOLERANCES:  
FRACTIONAL  $\pm 1/8$   
ANGULAR: BEND  $\pm 1$  DEGREE  
TWO PLACE DECIMAL  $\pm .03$   
THREE PLACE DECIMAL  $\pm .01$

NAME	DATE
DRAWN	
CHECKED	
ENG APPR.	
MFG APPR.	
Q.A.	
COMMENTS:	

**KENDALL HOWARD**

TITLE:  
**42U LINIER AV SOLID  
FRONT/ VENTED REAR**

SIZE DWG. NO. REV  
**A** 3106-3-024-42 WP

SCALE: 1:20 WEIGHT: 150.10 SHEET 2 OF 2