

- NOTE:
 1. 19" EIA RACK MOUNT COMPLIANT.
 2. RAILS ACCEPT 3/8" CAGENUT.
 3. BLACK POWDER COAT.

PROPRIETARY AND CONFIDENTIAL
 THE INFORMATION CONTAINED IN THIS DRAWING IS THE SOLE PROPERTY OF KENDALL HOWARD. ANY REPRODUCTION IN PART OR AS A WHOLE WITHOUT THE WRITTEN PERMISSION OF KENDALL HOWARD IS STRICTLY PROHIBITED.

WEB PRINT	
NEXT ASSY	USED ON
APPLICATION	

UNLESS OTHERWISE SPECIFIED:
 DIMENSIONS ARE IN INCHES
 TOLERANCES:
 FRACTIONAL $\pm 1/8$
 ANGULAR: BEND ± 1 DEGREE
 TWO PLACE DECIMAL $\pm .03$
 THREE PLACE DECIMAL $\pm .01$

Surface Area
 MATERIAL
 FINISH
 APPLICATION DO NOT SCALE DRAWING

DRAWN	NAME	DATE
CHECKED		
ENG APPR.		
MFG APPR.		
Q.A.		
COMMENTS:		

KENDALL HOWARD

TITLE:
37U LINIER AV VENTED FRONT/ VENTED REAR

SIZE **A** DWG. NO. **3107-3-024-37 WP** REV

SCALE: 1:20 WEIGHT: 137.45 SHEET 1 OF 2

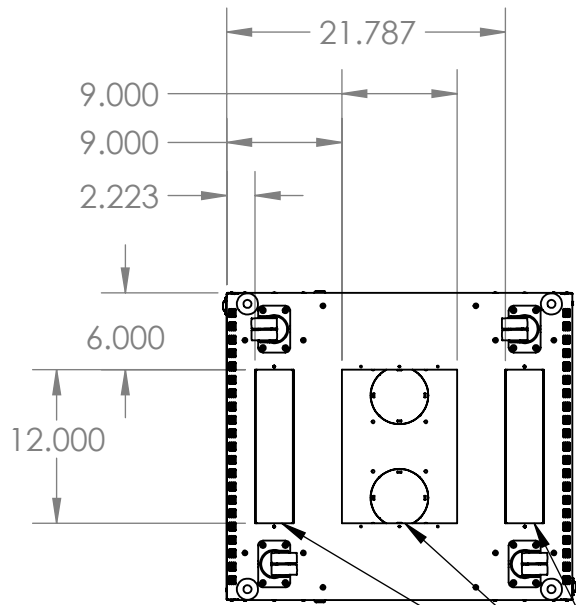
5

4

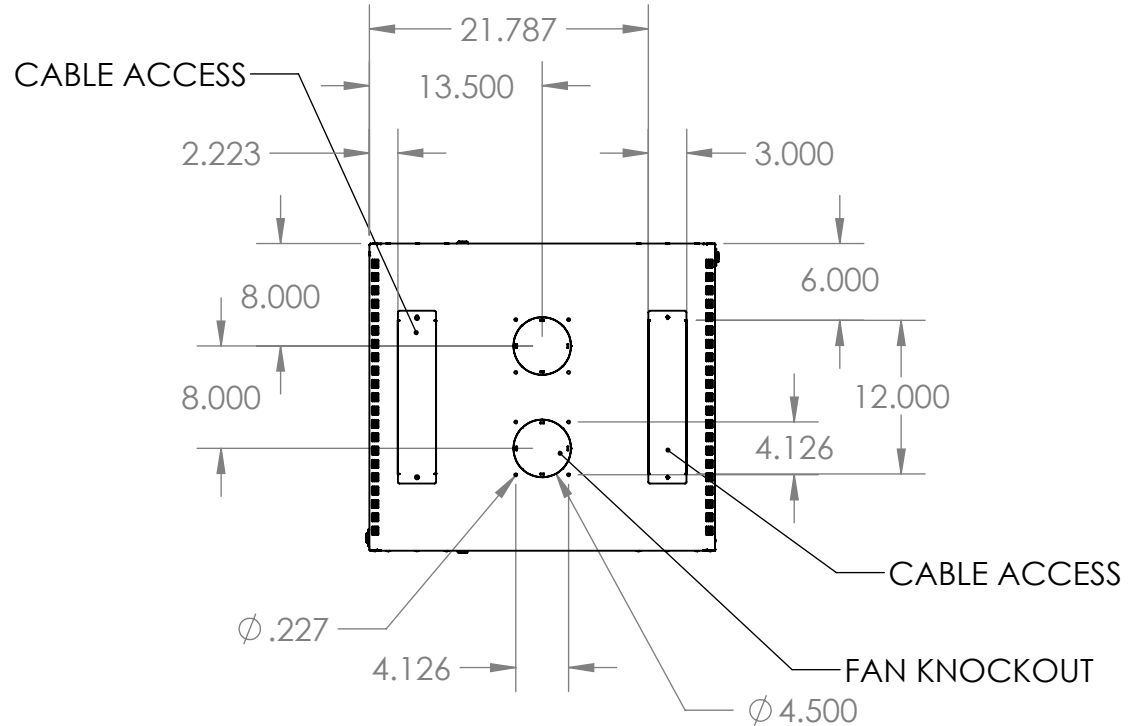
3

2

1



VIEW A-A
SCALE 1 : 15
BOTTOM VIEW



VIEW B-B
SCALE 1 : 15
TOP VIEW

PROPRIETARY AND CONFIDENTIAL
THE INFORMATION CONTAINED IN THIS DRAWING IS THE SOLE PROPERTY OF KENDALL HOWARD. ANY REPRODUCTION IN PART OR AS A WHOLE WITHOUT THE WRITTEN PERMISSION OF KENDALL HOWARD IS STRICTLY PROHIBITED.


WEB PRINT

NEXT ASSY	USED ON
APPLICATION	

UNLESS OTHERWISE SPECIFIED:
DIMENSIONS ARE IN INCHES
TOLERANCES:
FRACTIONAL ± 1/8
ANGULAR: BEND ± 1 DEGREE
TWO PLACE DECIMAL ± .03
THREE PLACE DECIMAL ± .01

Surface Area	
MATERIAL	
FINISH	
DO NOT SCALE DRAWING	

	NAME	DATE
DRAWN		
CHECKED		
ENG APPR.		
MFG APPR.		
Q.A.		
COMMENTS:		

KENDALL HOWARD 

TITLE:
37U LINIER AV VENTED FRONT/ VENTED REAR

SIZE	DWG. NO.	REV
A	3107-3-024-37 WP	
SCALE: 1:20	WEIGHT: 137.45	SHEET 2 OF 2