

PROPRIETARY AND CONFIDENTIAL
THE INFORMATION CONTAINED IN THIS DRAWING IS THE SOLE PROPERTY OF KENDALL HOWARD. ANY REPRODUCTION IN PART OR AS A WHOLE WITHOUT THE WRITTEN PERMISSION OF KENDALL HOWARD IS STRICTLY PROHIBITED.

WEB PRINT	
NEXT ASSY	USED ON
APPLICATION	

UNLESS OTHERWISE SPECIFIED: DIMENSIONS ARE IN INCHES TOLERANCES: FRACTIONAL ± 1/8 ANGULAR: BEND ± 1 DEGREE TWO PLACE DECIMAL ± .03 THREE PLACE DECIMAL ± .01	SURFACE AREA
MATERIAL	FINISH
DO NOT SCALE DRAWING	

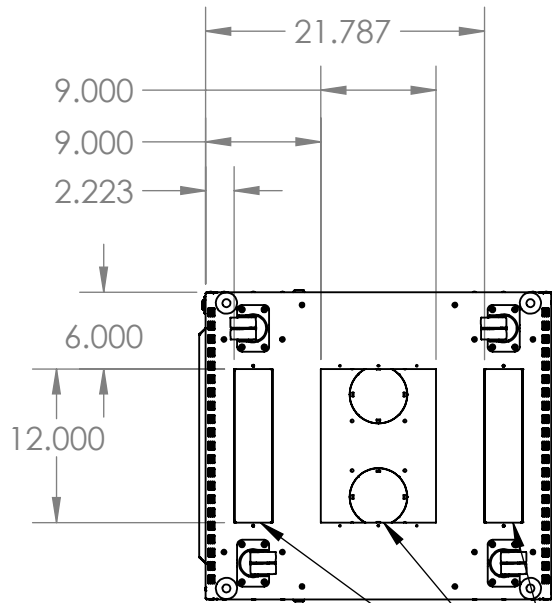
NAME	DATE
DRAWN	
CHECKED	
ENG APPR.	
MFG APPR.	
Q.A.	
COMMENTS:	

KENDALL HOWARD

TITLE:
**37U LINIER AV CONVEX
FRONT/ VENTED REAR**

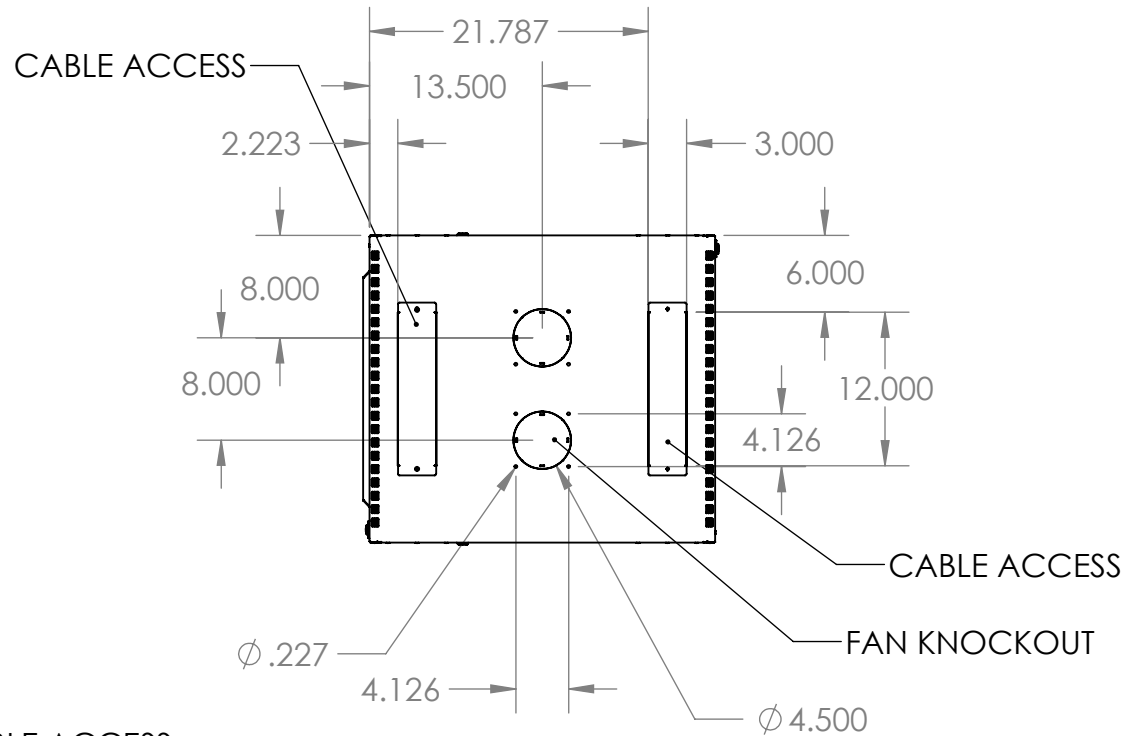
SIZE	DWG. NO.	REV
A	3110-3-024-37 WP	

SCALE: 1:20 WEIGHT: 137.80 SHEET 1 OF 2



VIEW A-A
SCALE 1 : 15
BOTTOM VIEW

CABLE ACCESS



VIEW B-B
SCALE 1 : 15
TOP VIEW

UNLESS OTHERWISE SPECIFIED:
DIMENSIONS ARE IN INCHES
TOLERANCES:
FRACTIONAL $\pm 1/8$
ANGULAR: BEND ± 1 DEGREE
TWO PLACE DECIMAL $\pm .03$
THREE PLACE DECIMAL $\pm .01$

Surface Area
MATERIAL
FINISH
APPLICATION
DO NOT SCALE DRAWING

WEB PRINT

NEXT ASSY

USED ON

APPLICATION

DO NOT SCALE DRAWING

	NAME	DATE
DRAWN		
CHECKED		
ENG APPR.		
MFG APPR.		
Q.A.		
COMMENTS:		

KENDALL HOWARD

TITLE:
**37U LINIER AV CONVEX
FRONT/ VENTED REAR**

SIZE DWG. NO. REV
A 3110-3-024-37 WP

SCALE: 1:20 WEIGHT: 137.80 SHEET 2 OF 2

PROPRIETARY AND CONFIDENTIAL
THE INFORMATION CONTAINED IN THIS
DRAWING IS THE SOLE PROPERTY OF
KENDALL HOWARD. ANY REPRODUCTION
IN PART OR AS A WHOLE WITHOUT THE
WRITTEN PERMISSION OF KENDALL HOWARD
IS STRICTLY PROHIBITED.