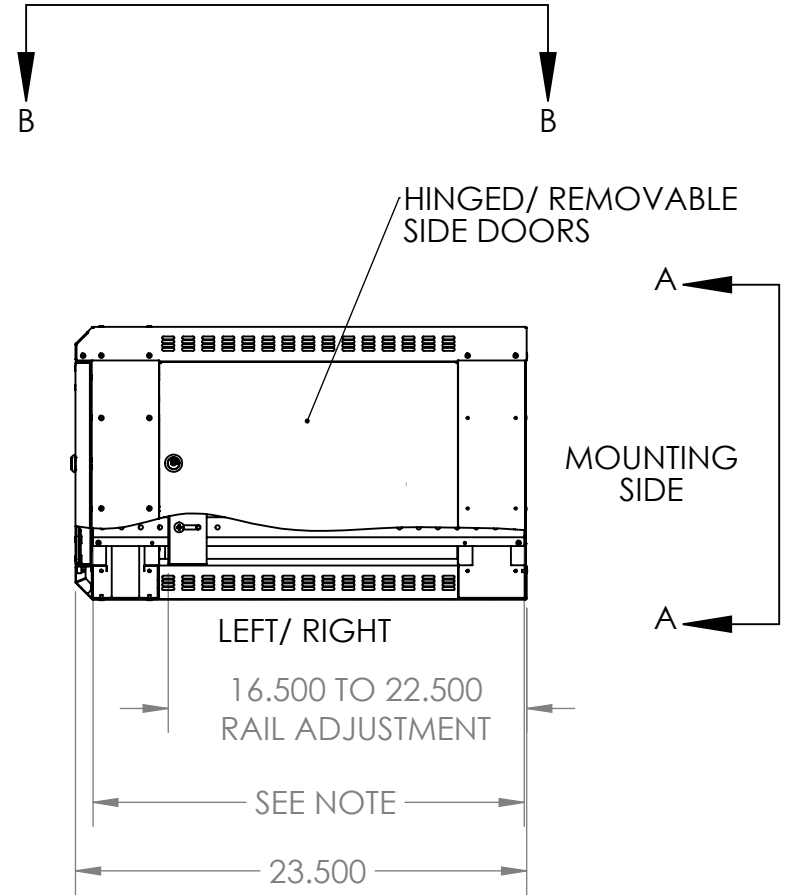
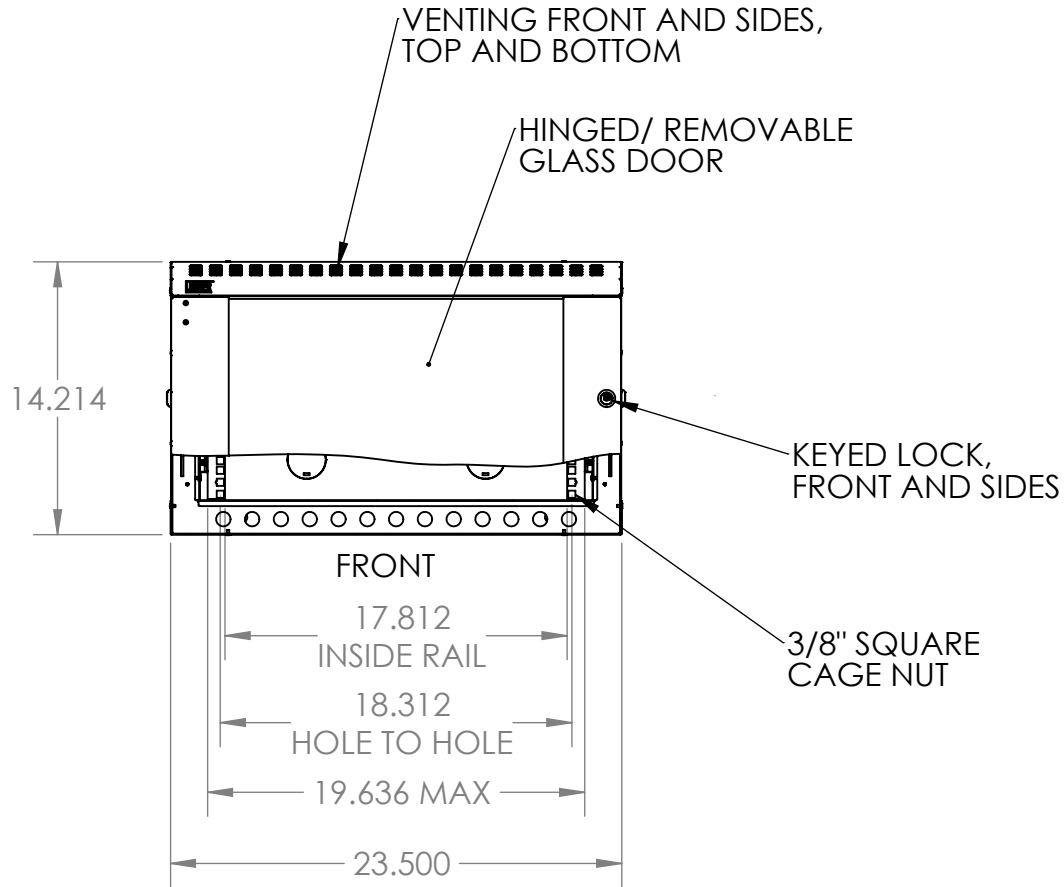


NOTE:  
 22.5 MAX RAIL TO RAIL  
 12.5 MIN RAIL TO RAIL



**PROPRIETARY AND CONFIDENTIAL**  
 THE INFORMATION CONTAINED IN THIS DRAWING IS THE SOLE PROPERTY OF KENDALL HOWARD. ANY REPRODUCTION IN PART OR AS A WHOLE WITHOUT THE WRITTEN PERMISSION OF KENDALL HOWARD IS STRICTLY PROHIBITED.

**WEB PRINT**

NEXT ASSY		USED ON	APPLICATION
MATERIAL		FINISH	DO NOT SCALE DRAWING

UNLESS OTHERWISE SPECIFIED:  
 DIMENSIONS ARE IN INCHES  
 TOLERANCES:  
 FRACTIONAL:  $\pm 1/8$   
 ANGULAR: BEND  $\pm 1$  DEGREE  
 TWO PLACE DECIMAL  $\pm .03$   
 THREE PLACE DECIMAL  $\pm .01$

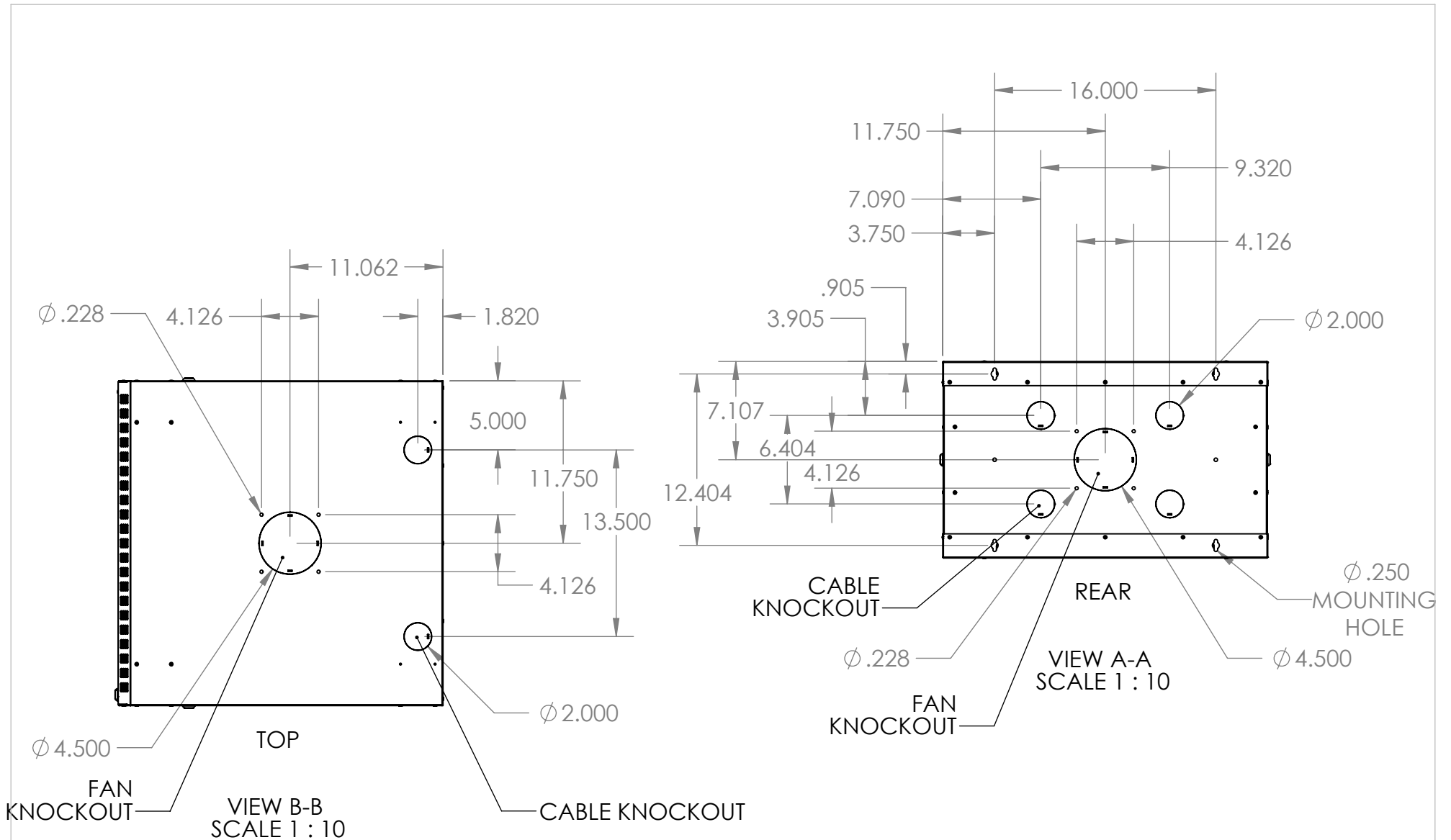
Surface Area	NAME	DATE
MATERIAL	DRAWN	
FINISH	CHECKED	
	ENG APPR.	
	MFG APPR.	
	Q.A.	
	COMMENTS:	

**KENDALL HOWARD**

TITLE:  
**6U LINIER WM FIXED CABINET- GLASS DOOR**

SIZE DWG. NO. REV  
**A** 3140-3-001-06 WP

SCALE: 1:20 WEIGHT: 32.79 SHEET 1 OF 2



**PROPRIETARY AND CONFIDENTIAL**  
 THE INFORMATION CONTAINED IN THIS DRAWING IS THE SOLE PROPERTY OF KENDALL HOWARD. ANY REPRODUCTION IN PART OR AS A WHOLE WITHOUT THE WRITTEN PERMISSION OF KENDALL HOWARD IS STRICTLY PROHIBITED.

<b>WEB PRINT</b>	
NEXT ASSY	USED ON
APPLICATION	

UNLESS OTHERWISE SPECIFIED: DIMENSIONS ARE IN INCHES TOLERANCES: FRACTIONAL ± 1/8 ANGULAR: BEND ± 1 DEGREE TWO PLACE DECIMAL ± .03 THREE PLACE DECIMAL ± .01 Surface Area
MATERIAL
FINISH
DO NOT SCALE DRAWING

DRAWN	NAME	DATE
CHECKED		
ENG APPR.		
MFG APPR.		
Q.A.		
COMMENTS:		

**KENDALL HOWARD**

TITLE:  
**6U LINIER WM FIXED CABINET- GLASS DOOR**

SIZE	DWG. NO.	REV
<b>A</b>	<b>3140-3-001-06 WP</b>	

SCALE: 1:20 WEIGHT: 32.79 SHEET 2 OF 2