

NOTE:
22.5 MAX RAIL TO RAIL
12.5 MIN RAIL TO RAIL

UNLESS OTHERWISE SPECIFIED:
DIMENSIONS ARE IN INCHES
TOLERANCES:
FRACTIONAL $\pm 1/8$
ANGULAR: BEND ± 1 DEGREE
TWO PLACE DECIMAL $\pm .03$
THREE PLACE DECIMAL $\pm .01$

Surface Area

MATERIAL

FINISH

APPLICATION

DO NOT SCALE DRAWING

	NAME	DATE
DRAWN		
CHECKED		
ENG APPR.		
MFG APPR.		
Q.A.		
COMMENTS:		

KENDALL HOWARD

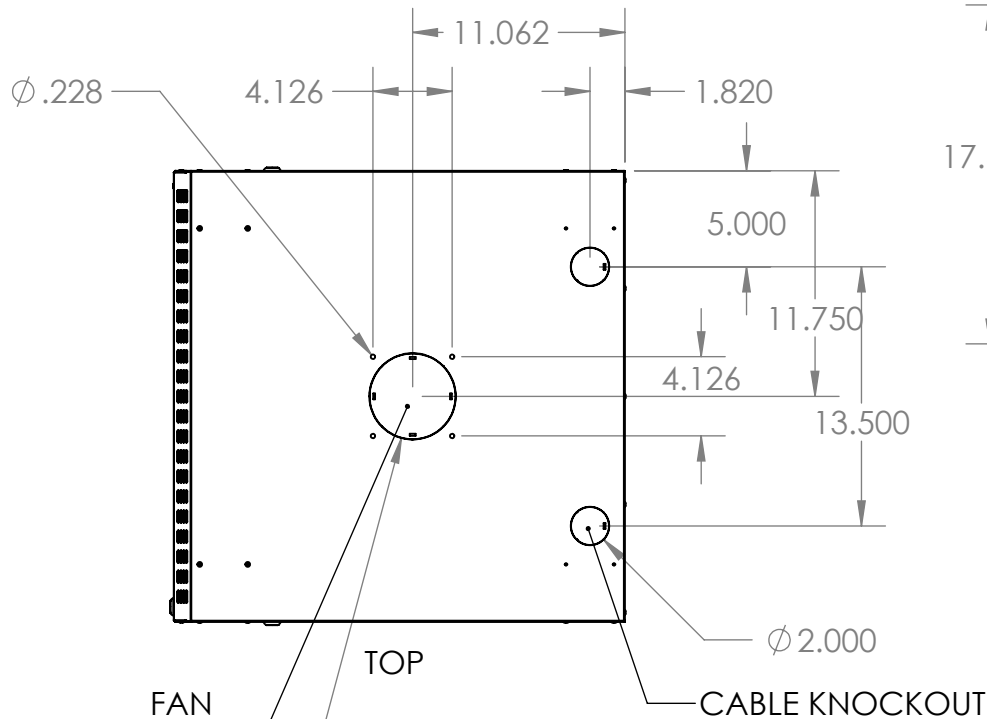
TITLE:
9U LINIER WM FIXED CABINET- GLASS DOOR

SIZE	DWG. NO.	REV
A	3140-3-001-09 WP	

SCALE: 1:20 WEIGHT: 38.84 SHEET 1 OF 2

PROPRIETARY AND CONFIDENTIAL
THE INFORMATION CONTAINED IN THIS DRAWING IS THE SOLE PROPERTY OF KENDALL HOWARD. ANY REPRODUCTION IN PART OR AS A WHOLE WITHOUT THE WRITTEN PERMISSION OF KENDALL HOWARD IS STRICTLY PROHIBITED.

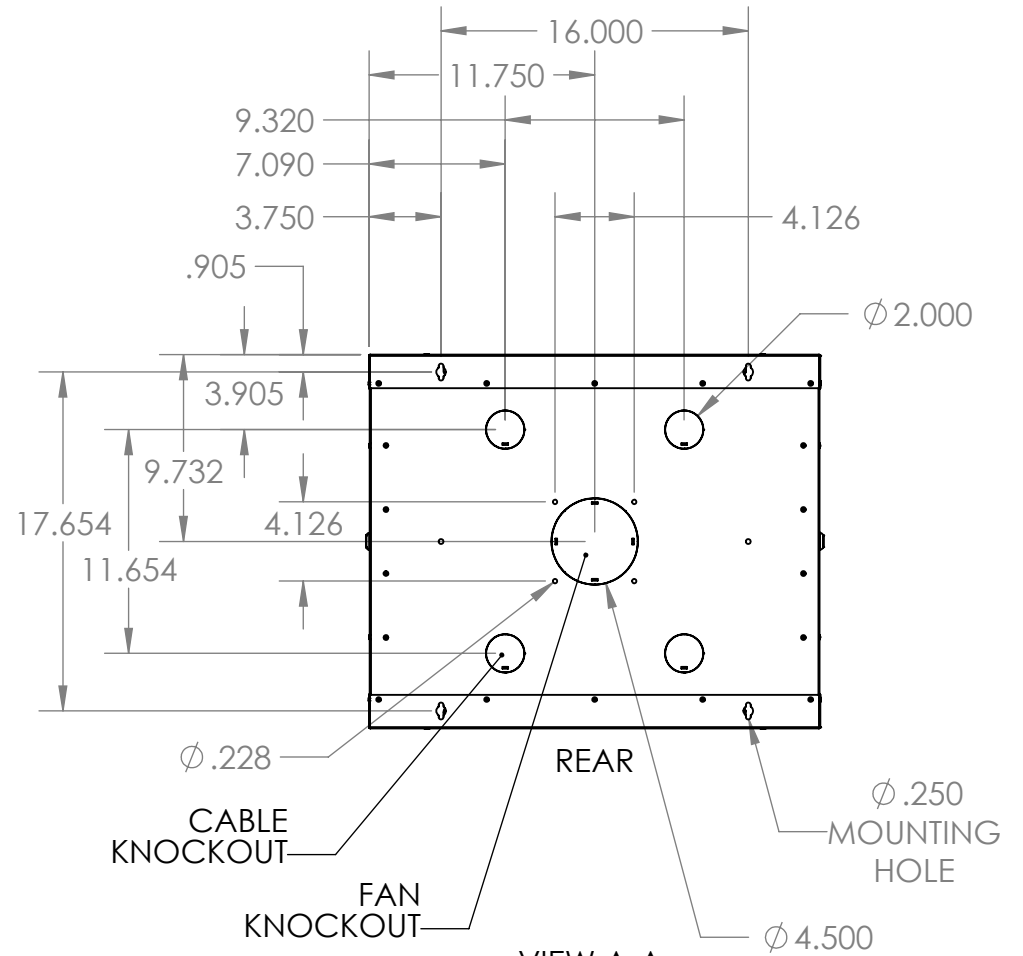
WEB PRINT	
NEXT ASSY	USED ON
APPLICATION	



FAN KNOCKOUT

TOP
VIEW B-B
SCALE 1 : 10

CABLE KNOCKOUT



CABLE KNOCKOUT

FAN KNOCKOUT

REAR

VIEW A-A
SCALE 1 : 10

Ø .250 MOUNTING HOLE

PROPRIETARY AND CONFIDENTIAL
THE INFORMATION CONTAINED IN THIS DRAWING IS THE SOLE PROPERTY OF KENDALL HOWARD. ANY REPRODUCTION IN PART OR AS A WHOLE WITHOUT THE WRITTEN PERMISSION OF KENDALL HOWARD IS STRICTLY PROHIBITED.

WEB PRINT

UNLESS OTHERWISE SPECIFIED: DIMENSIONS ARE IN INCHES TOLERANCES: FRACTIONAL: ±1/8 ANGULAR: BEND ±1 DEGREE TWO PLACE DECIMAL ±.03 THREE PLACE DECIMAL ±.01	
Surface Area	
MATERIAL	
FINISH	
NEXT ASSY	USED ON
APPLICATION	
DO NOT SCALE DRAWING	

NAME	DATE
DRAWN	
CHECKED	
ENG APPR.	
MFG APPR.	
Q.A.	
COMMENTS:	

KENDALL HOWARD

TITLE:
9U LINIER WM FIXED CABINET- GLASS DOOR

SIZE	DWG. NO.	REV
A	3140-3-001-09 WP	
SCALE: 1:20	WEIGHT: 38.84	SHEET 2 OF 2