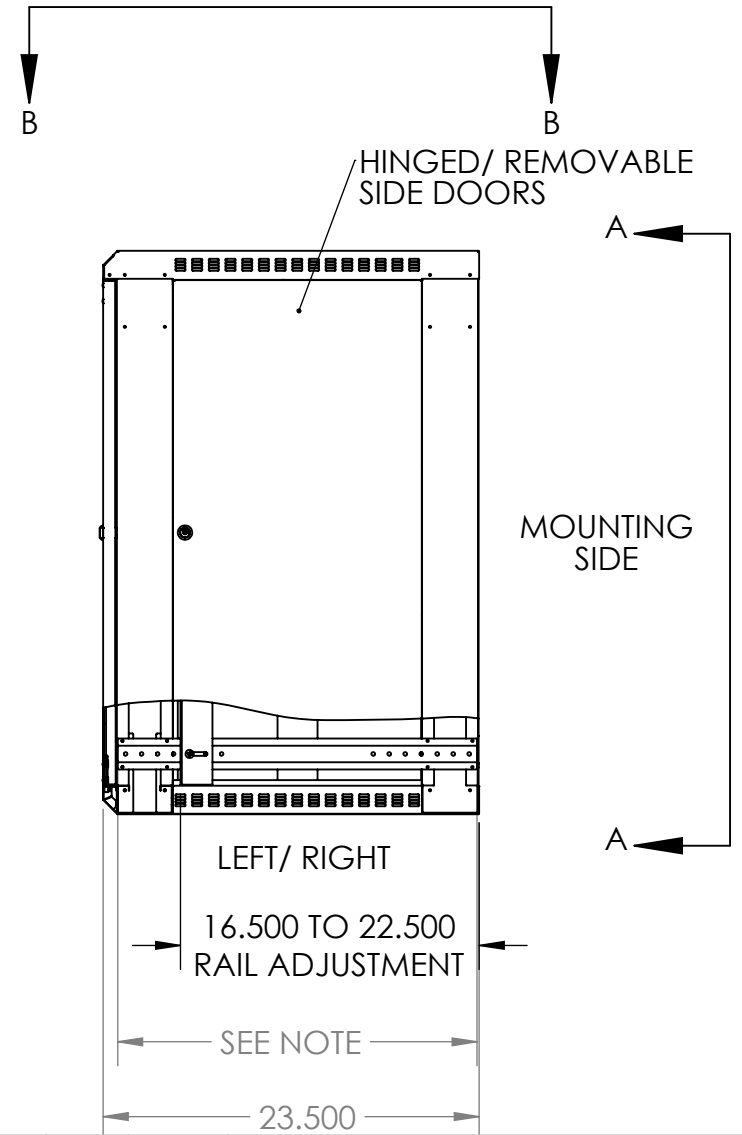
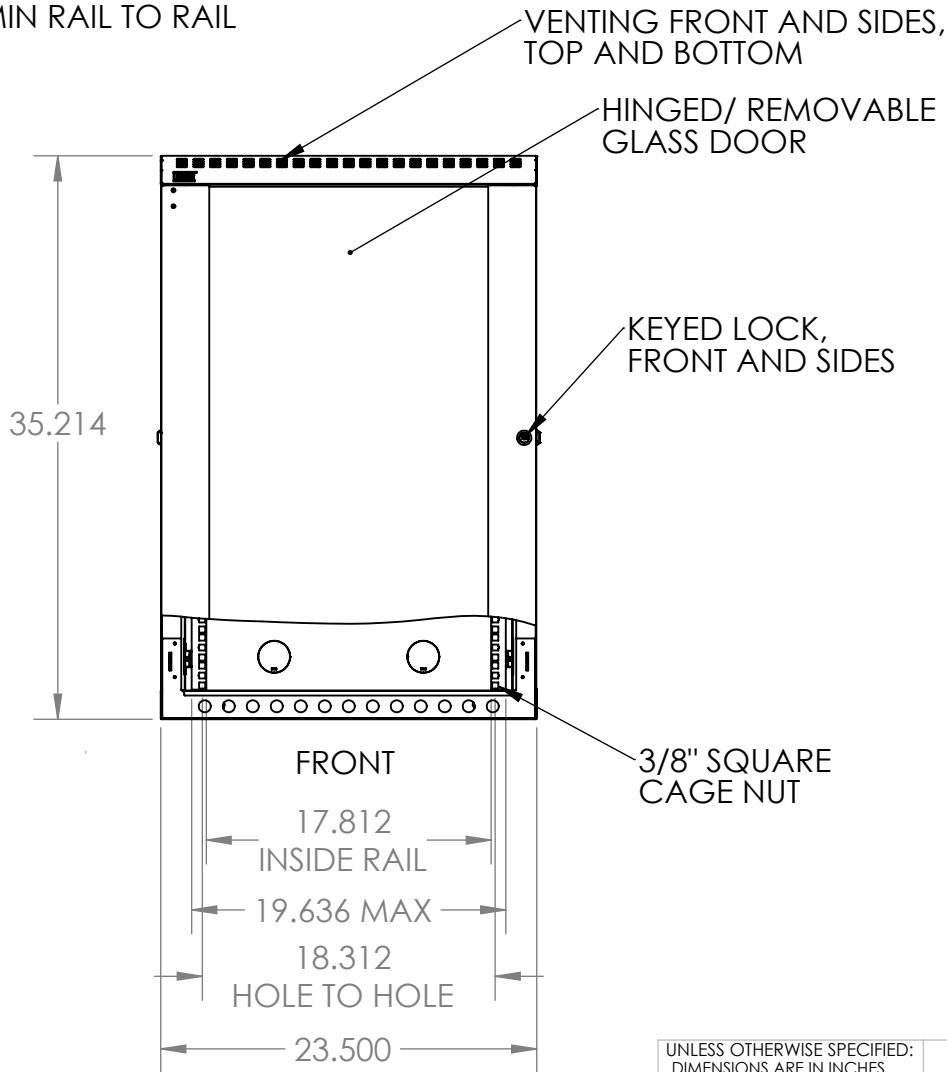


NOTE:
 22.5 MAX RAIL TO RAIL
 12.5 MIN RAIL TO RAIL



UNLESS OTHERWISE SPECIFIED:
 DIMENSIONS ARE IN INCHES
 TOLERANCES:
 FRACTIONAL $\pm 1/8$
 ANGULAR: BEND ± 1 DEGREE
 TWO PLACE DECIMAL $\pm .03$
 THREE PLACE DECIMAL $\pm .01$

Surface Area
 MATERIAL
 FINISH
 APPLICATION DO NOT SCALE DRAWING

WEB PRINT

PROPRIETARY AND CONFIDENTIAL
 THE INFORMATION CONTAINED IN THIS DRAWING IS THE SOLE PROPERTY OF KENDALL HOWARD. ANY REPRODUCTION IN PART OR AS A WHOLE WITHOUT THE WRITTEN PERMISSION OF KENDALL HOWARD IS STRICTLY PROHIBITED.

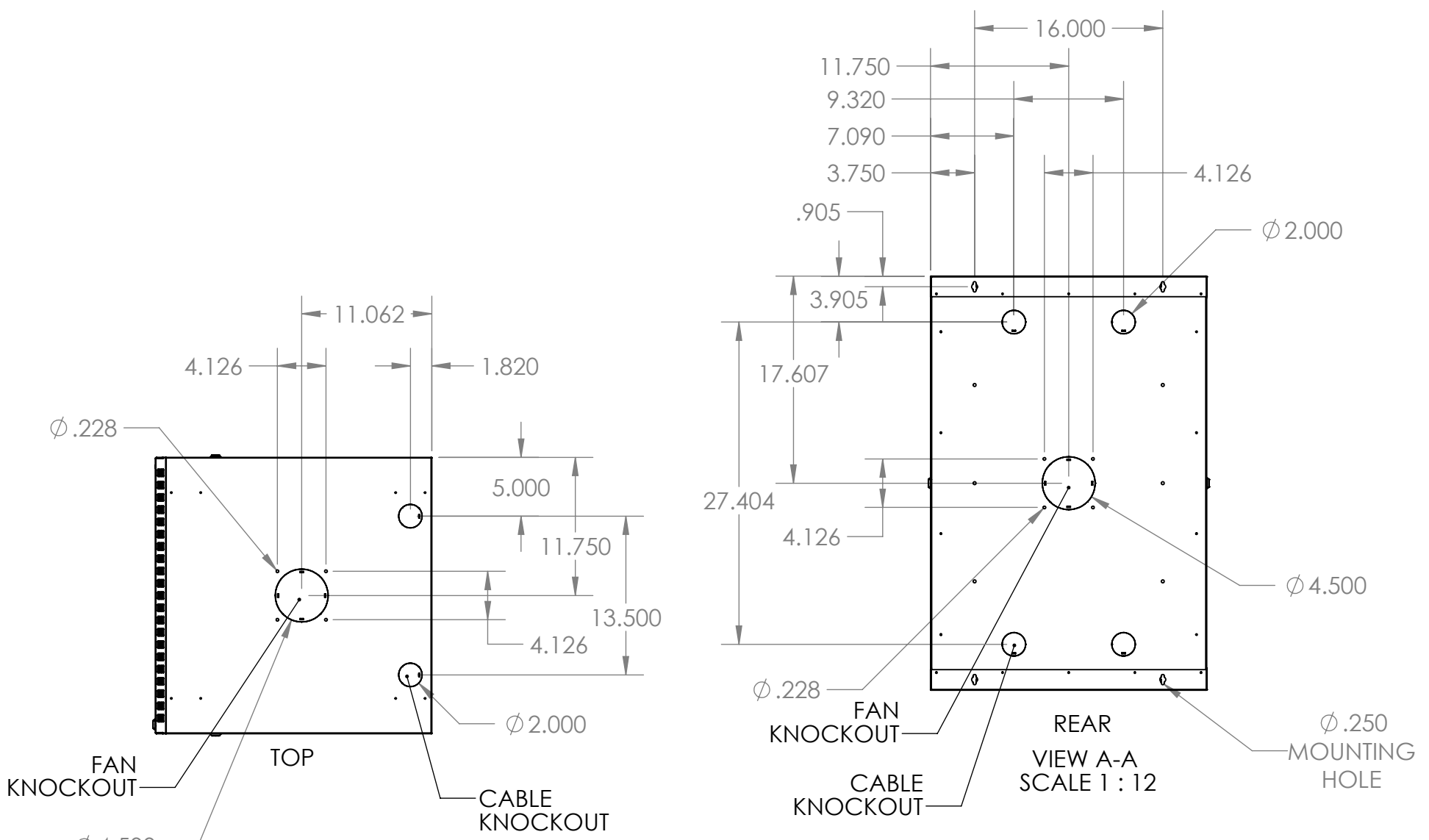
NEXT ASSY	USED ON
APPLICATION	

	NAME	DATE
DRAWN		
CHECKED		
ENG APPR.		
MFG APPR.		
Q.A.		
COMMENTS:		

KENDALL HOWARD

TITLE:
LINIER FIXED WALL MOUNT CABINET- 18U GLASS DOOR

SIZE	DWG. NO.	REV
A	3140-3-001-18 WP	-
SCALE: 1:20	WEIGHT: 60.46	SHEET 1 OF 2



VIEW B-B
SCALE 1 : 12

REAR
VIEW A-A
SCALE 1 : 12

PROPRIETARY AND CONFIDENTIAL
THE INFORMATION CONTAINED IN THIS DRAWING IS THE SOLE PROPERTY OF KENDALL HOWARD. ANY REPRODUCTION IN PART OR AS A WHOLE WITHOUT THE WRITTEN PERMISSION OF KENDALL HOWARD IS STRICTLY PROHIBITED.

WEB PRINT

NEXT ASSY	USED ON
APPLICATION	

UNLESS OTHERWISE SPECIFIED:
DIMENSIONS ARE IN INCHES
TOLERANCES:
FRACTIONAL: ±1/8
ANGULAR: BEND ±1 DEGREE
TWO PLACE DECIMAL ±.03
THREE PLACE DECIMAL ±.01

Surface Area
MATERIAL
FINISH
DO NOT SCALE DRAWING

	NAME	DATE
DRAWN		
CHECKED		
ENG APPR.		
MFG APPR.		
Q.A.		
COMMENTS:		

KENDALL HOWARD

TITLE:
**LINIER FIXED WALL MOUNT
CABINET- 18U GLASS DOOR**

SIZE	DWG. NO.	REV
A	3140-3-001-18 WP	-

SCALE: 1:20 WEIGHT: 60.46 SHEET 2 OF 2