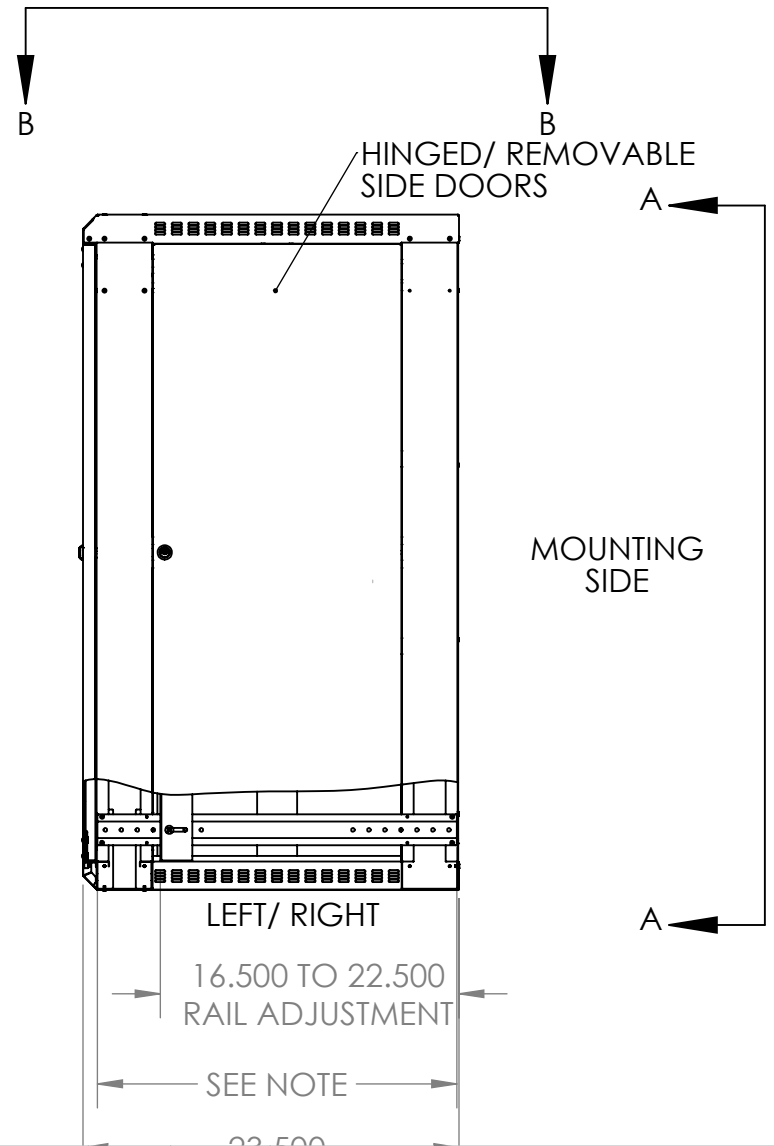
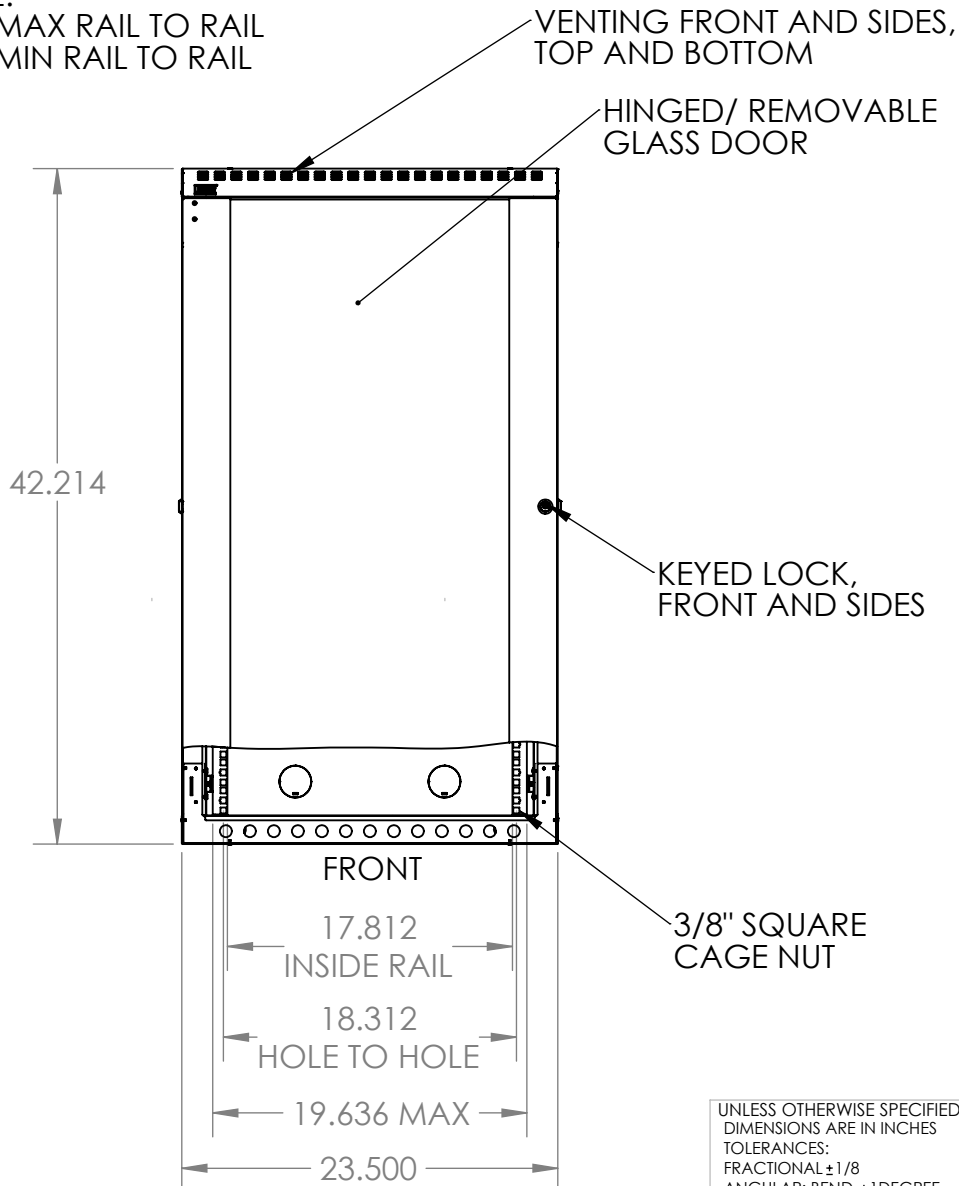


NOTE:
22.5 MAX RAIL TO RAIL
12.5 MIN RAIL TO RAIL



UNLESS OTHERWISE SPECIFIED:
DIMENSIONS ARE IN INCHES
TOLERANCES:
FRACTIONAL $\pm 1/8$
ANGULAR: BEND ± 1 DEGREE
TWO PLACE DECIMAL $\pm .03$
THREE PLACE DECIMAL $\pm .01$

Surface Area
MATERIAL
FINISH
APPLICATION DO NOT SCALE DRAWING

NAME	DATE
DRAWN	
CHECKED	
ENG APPR.	
MFG APPR.	
Q.A.	
COMMENTS:	

KENDALL HOWARD

TITLE:
22U LINIER WM FIXED CABINET- GLASS DOOR

SIZE	DWG. NO.	REV
A	3140-3-001-22 WP	
SCALE: 1:20	WEIGHT: 69.03	SHEET 1 OF 2

WEB PRINT

PROPRIETARY AND CONFIDENTIAL
THE INFORMATION CONTAINED IN THIS DRAWING IS THE SOLE PROPERTY OF KENDALL HOWARD. ANY REPRODUCTION IN PART OR AS A WHOLE WITHOUT THE WRITTEN PERMISSION OF KENDALL HOWARD IS STRICTLY PROHIBITED.

NEXT ASSY	USED ON
APPLICATION	

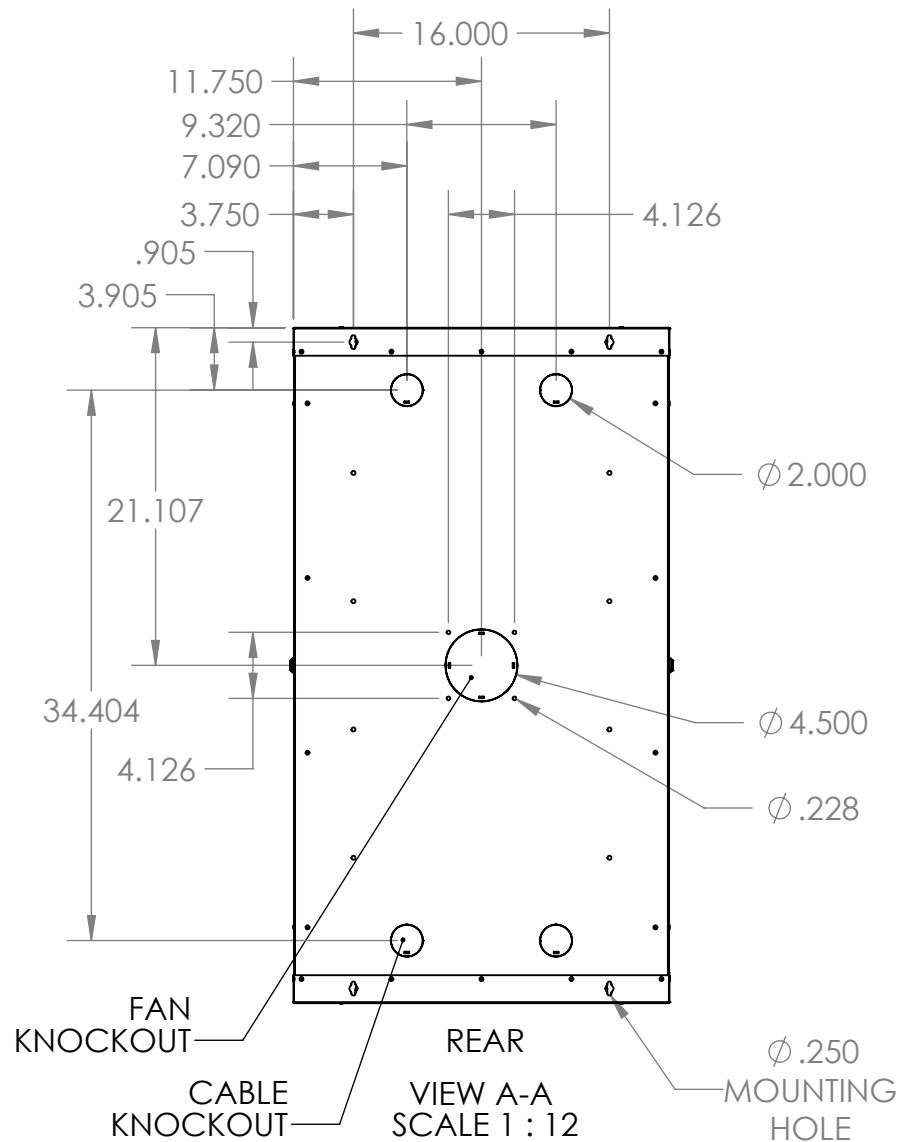
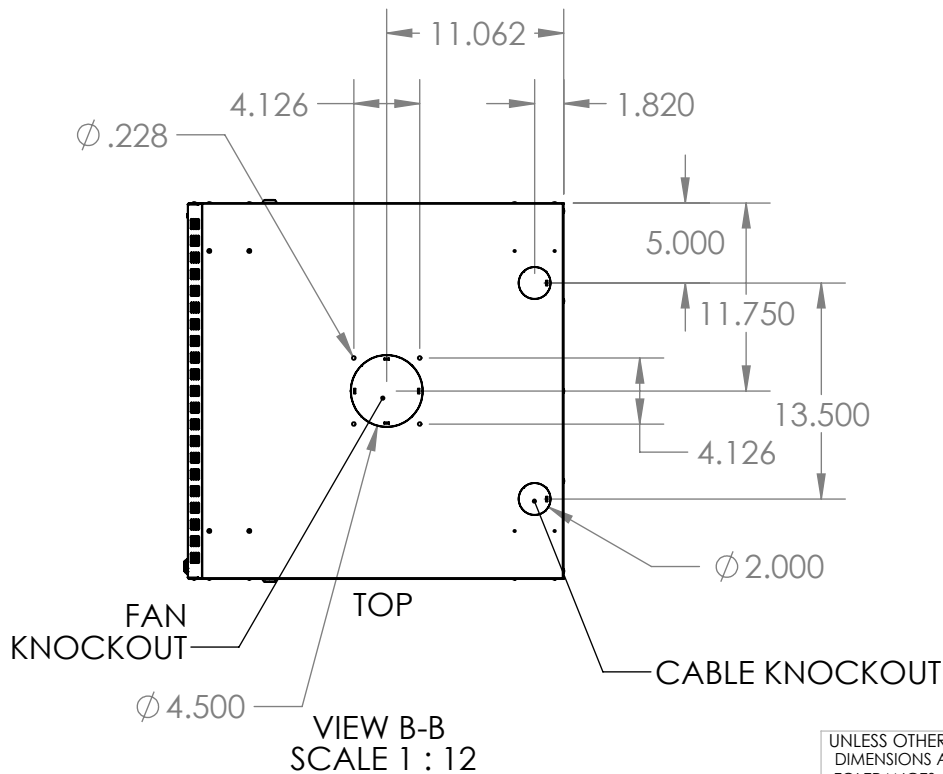
5

4

3

2

1



PROPRIETARY AND CONFIDENTIAL
 THE INFORMATION CONTAINED IN THIS DRAWING IS THE SOLE PROPERTY OF KENDALL HOWARD. ANY REPRODUCTION IN PART OR AS A WHOLE WITHOUT THE WRITTEN PERMISSION OF KENDALL HOWARD IS STRICTLY PROHIBITED.

WEB PRINT	
NEXT ASSY	USED ON
APPLICATION	

UNLESS OTHERWISE SPECIFIED: DIMENSIONS ARE IN INCHES TOLERANCES: FRACTIONAL: ±1/8 ANGULAR: BEND ±1 DEGREE TWO PLACE DECIMAL ±.03 THREE PLACE DECIMAL ±.01
Surface Area
MATERIAL
FINISH
DO NOT SCALE DRAWING

	NAME	DATE
DRAWN		
CHECKED		
ENG APPR.		
MFG APPR.		
Q.A.		
COMMENTS:		

KENDALL HOWARD

TITLE:
22U LINIER WM FIXED CABINET- GLASS DOOR

SIZE	DWG. NO.	REV
A	3140-3-001-22 WP	

SCALE: 1:20 WEIGHT: 69.03 SHEET 2 OF 2