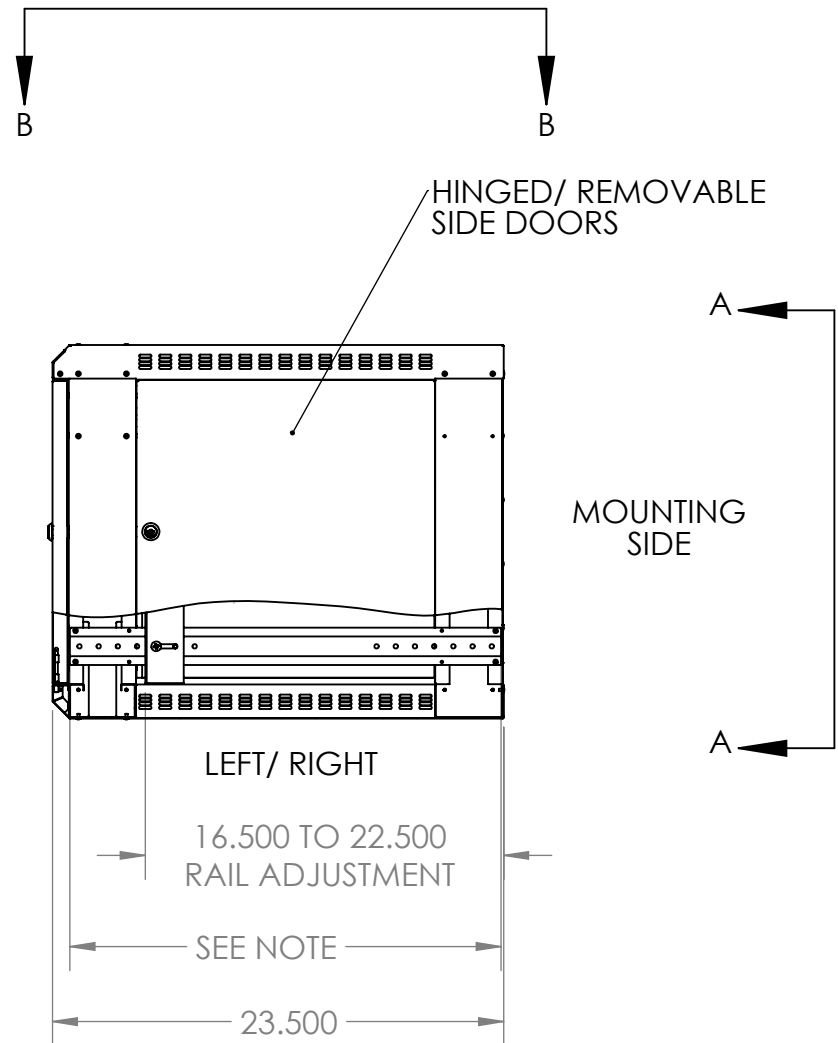
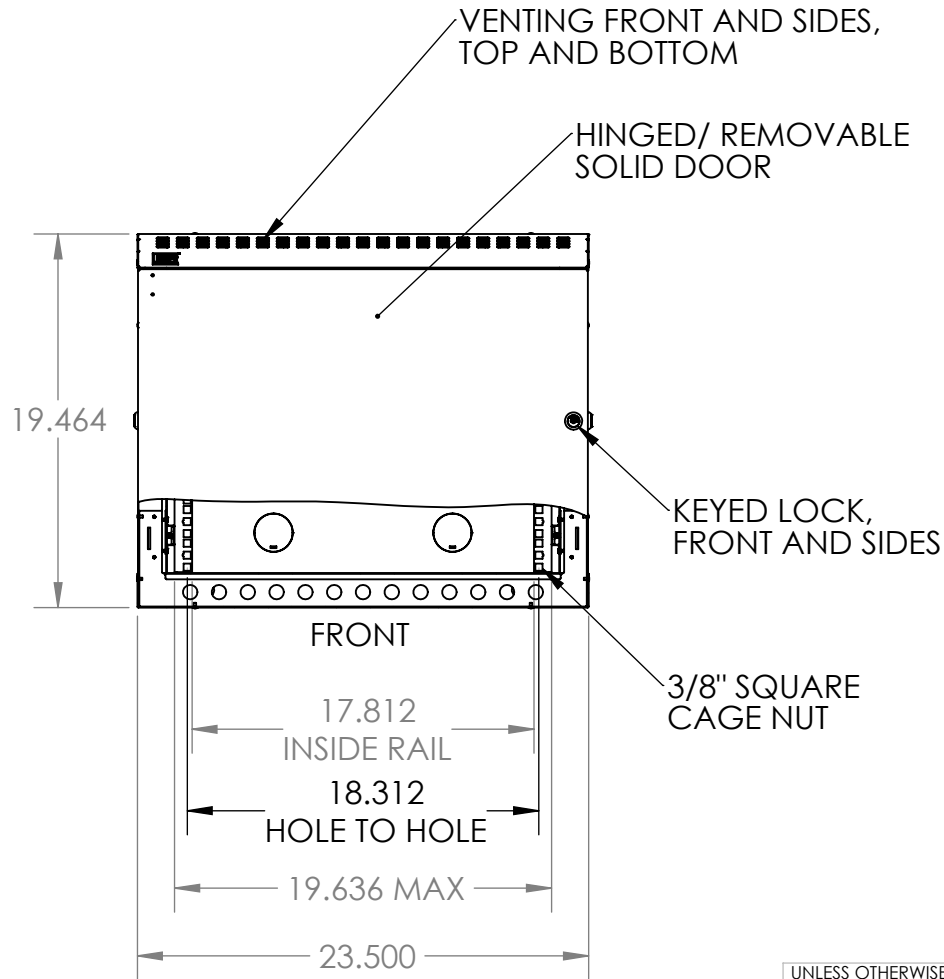


NOTE:
22.5 MAX RAIL TO RAIL
12.5 MIN RAIL TO RAIL



UNLESS OTHERWISE SPECIFIED:
DIMENSIONS ARE IN INCHES
TOLERANCES:
FRACTIONAL $\pm 1/8$
ANGULAR: BEND ± 1 DEGREE
TWO PLACE DECIMAL $\pm .03$
THREE PLACE DECIMAL $\pm .01$

Surface Area

MATERIAL

FINISH

WEB PRINT

NEXT ASSY	USED ON	
APPLICATION		DO NOT SCALE DRAWING

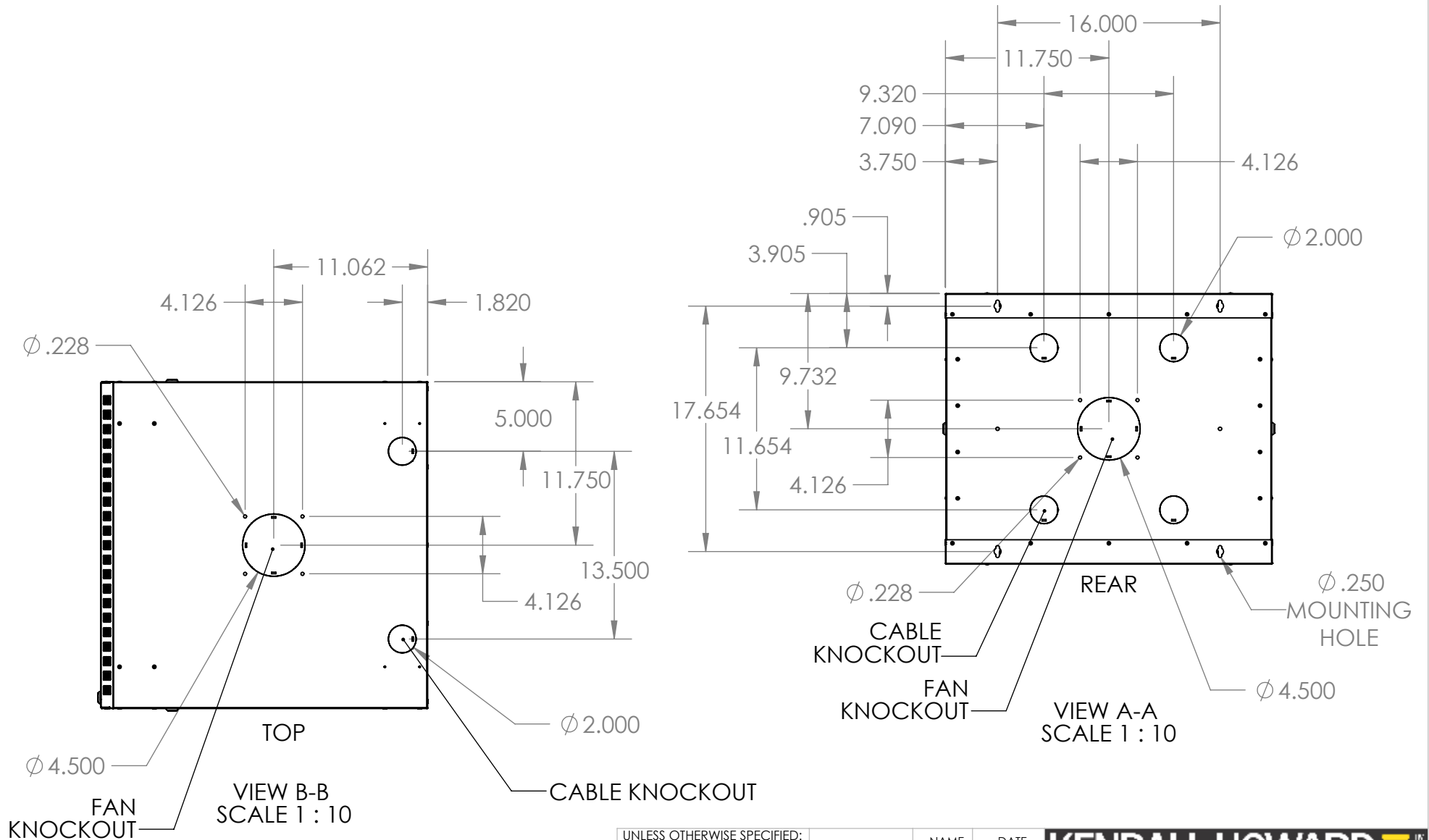
PROPRIETARY AND CONFIDENTIAL
THE INFORMATION CONTAINED IN THIS DRAWING IS THE SOLE PROPERTY OF KENDALL HOWARD. ANY REPRODUCTION IN PART OR AS A WHOLE WITHOUT THE WRITTEN PERMISSION OF KENDALL HOWARD IS STRICTLY PROHIBITED.

	NAME	DATE
DRAWN		
CHECKED		
ENG APPR.		
MFG APPR.		
Q.A.		
COMMENTS:		

KENDALL HOWARD

TITLE:
9U LINIER WM FIXED CABINET- SOLID DOOR

SIZE	DWG. NO.	REV
A	3141-3-001-09 WP	
SCALE: 1:20	WEIGHT: 37.96	SHEET 1 OF 2



PROPRIETARY AND CONFIDENTIAL
 THE INFORMATION CONTAINED IN THIS DRAWING IS THE SOLE PROPERTY OF KENDALL HOWARD. ANY REPRODUCTION IN PART OR AS A WHOLE WITHOUT THE WRITTEN PERMISSION OF KENDALL HOWARD IS STRICTLY PROHIBITED.

WEB PRINT

NEXT ASSY		USED ON	
APPLICATION		DO NOT SCALE DRAWING	

UNLESS OTHERWISE SPECIFIED:
 DIMENSIONS ARE IN INCHES
 TOLERANCES:
 FRACTIONAL ± 1/8
 ANGULAR: BEND ± 1 DEGREE
 TWO PLACE DECIMAL ± .03
 THREE PLACE DECIMAL ± .01
 Surface Area
 MATERIAL
 FINISH

	NAME	DATE
DRAWN		
CHECKED		
ENG APPR.		
MFG APPR.		
Q.A.		
COMMENTS:		

KENDALL HOWARD

TITLE: 9U LINIER WM FIXED CABINET- SOLID DOOR		
SIZE	DWG. NO.	REV
A	3141-3-001-09 WP	
SCALE: 1:20	WEIGHT: 37.96	SHEET 2 OF 2