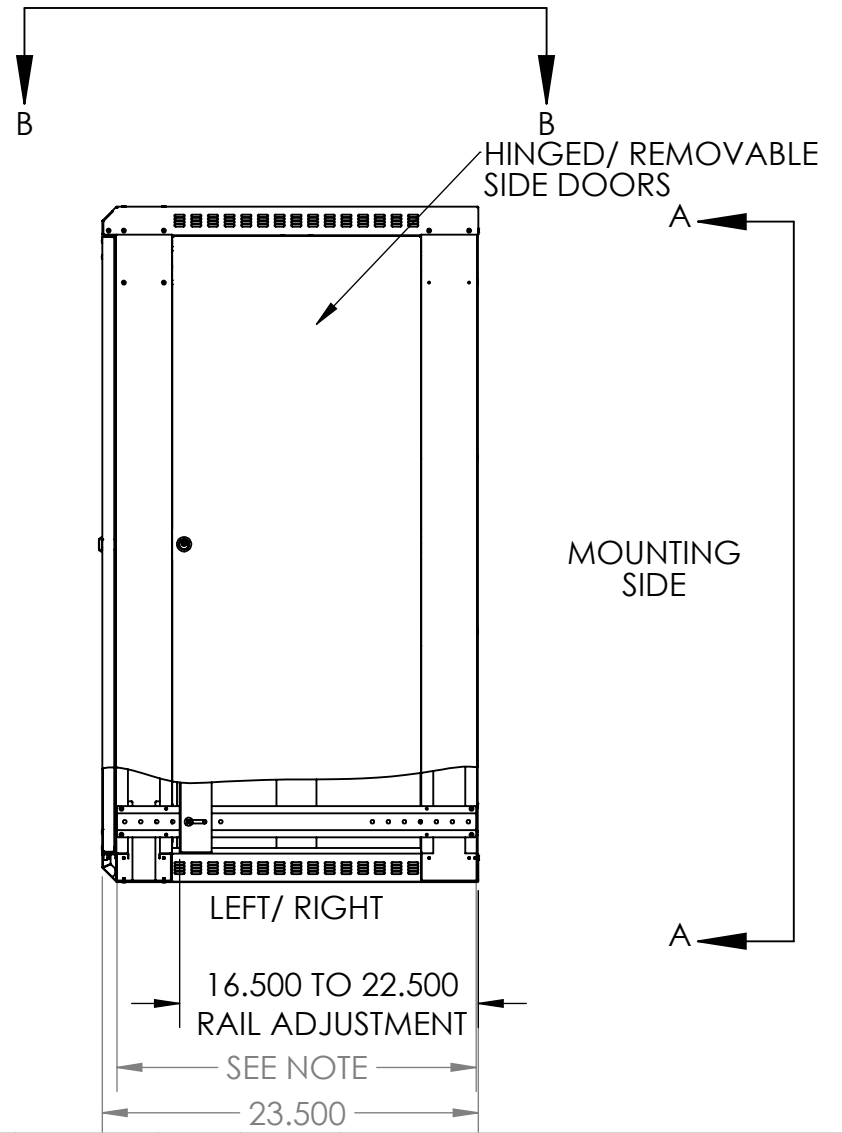
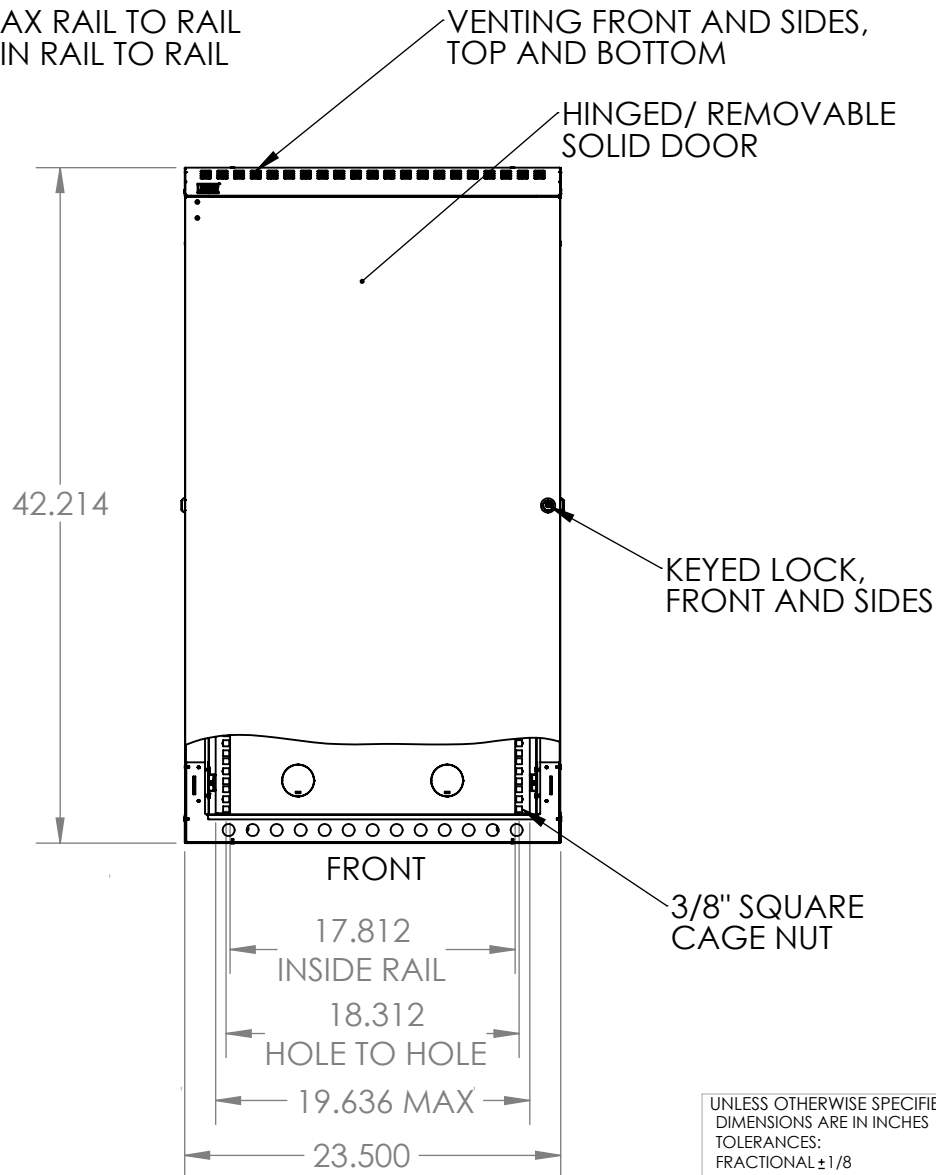


NOTE:  
22.5 MAX RAIL TO RAIL  
12.5 MIN RAIL TO RAIL



UNLESS OTHERWISE SPECIFIED:  
DIMENSIONS ARE IN INCHES  
TOLERANCES:  
FRACTIONAL  $\pm 1/8$   
ANGULAR: BEND  $\pm 1$  DEGREE  
TWO PLACE DECIMAL  $\pm .03$   
THREE PLACE DECIMAL  $\pm .01$

Surface Area

MATERIAL

FINISH

APPLICATION

DO NOT SCALE DRAWING

	NAME	DATE
DRAWN		
CHECKED		
ENG APPR.		
MFG APPR.		
Q.A.		
COMMENTS:		

**KENDALL HOWARD** 

TITLE:  
**22U LINIER WM FIXED  
CABINET- SOLID DOOR**

SIZE DWG. NO. REV

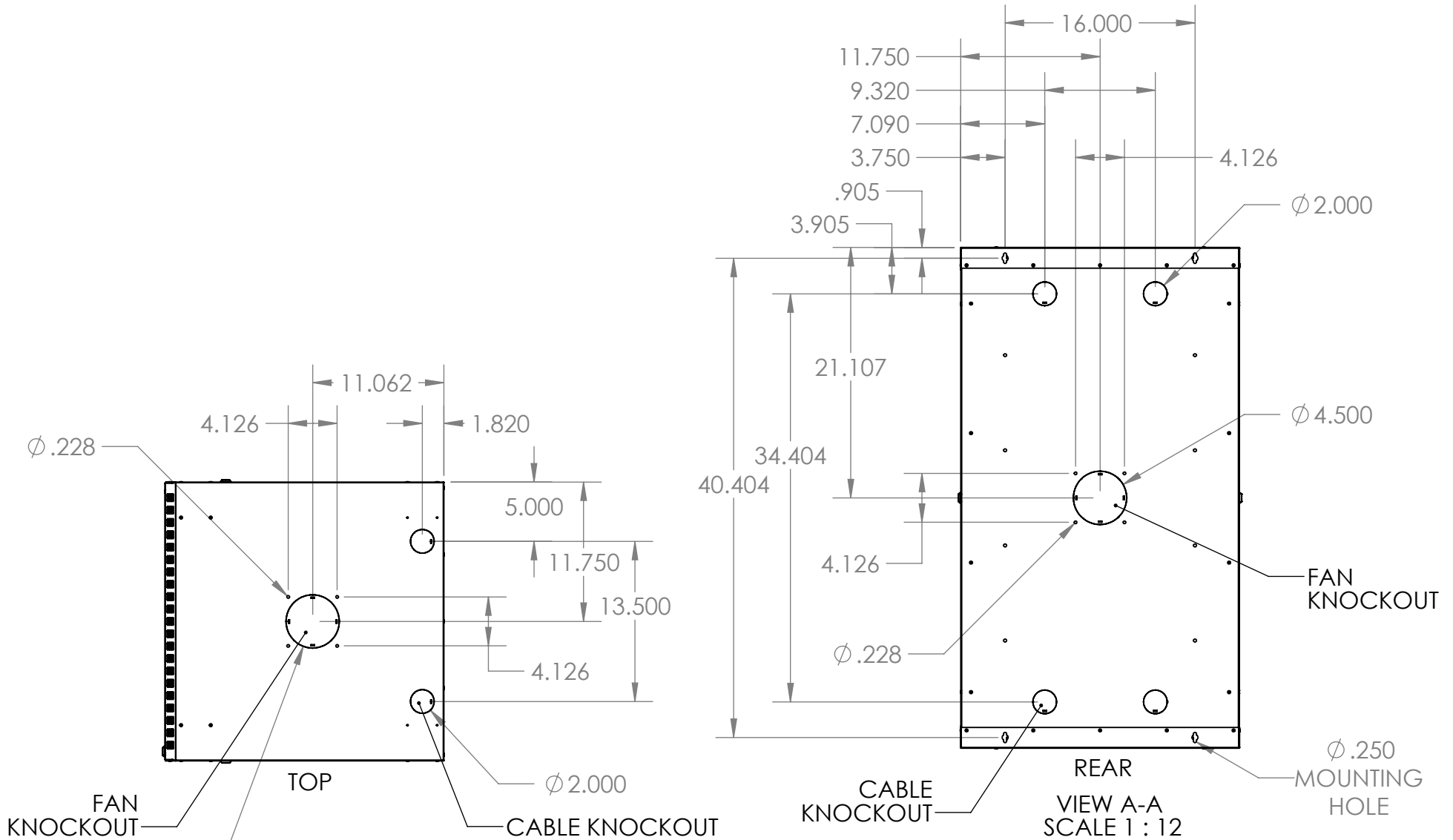
**A** 3141-3-001-22 WP

SCALE: 1:20 WEIGHT: 68.43 SHEET 1 OF 2

**WEB PRINT**

**PROPRIETARY AND CONFIDENTIAL**  
THE INFORMATION CONTAINED IN THIS  
DRAWING IS THE SOLE PROPERTY OF  
KENDALL HOWARD. ANY REPRODUCTION  
IN PART OR AS A WHOLE WITHOUT THE  
WRITTEN PERMISSION OF KENDALL HOWARD  
IS STRICTLY PROHIBITED.

NEXT ASSY	USED ON
APPLICATION	



VIEW B-B  
SCALE 1 : 12

REAR  
VIEW A-A  
SCALE 1 : 12

**PROPRIETARY AND CONFIDENTIAL**  
THE INFORMATION CONTAINED IN THIS DRAWING IS THE SOLE PROPERTY OF KENDALL HOWARD. ANY REPRODUCTION IN PART OR AS A WHOLE WITHOUT THE WRITTEN PERMISSION OF KENDALL HOWARD IS STRICTLY PROHIBITED.

<b>WEB PRINT</b>	
NEXT ASSY	USED ON
APPLICATION	

UNLESS OTHERWISE SPECIFIED: DIMENSIONS ARE IN INCHES TOLERANCES: FRACTIONAL $\pm 1/8$ ANGULAR: BEND $\pm 1$ DEGREE TWO PLACE DECIMAL $\pm .03$ THREE PLACE DECIMAL $\pm .01$ Surface Area	NAME	DATE
MATERIAL		
FINISH		
DO NOT SCALE DRAWING		

DRAWN		
CHECKED		
ENG APPR.		
MFG APPR.		
Q.A.		
COMMENTS:		

**KENDALL HOWARD**

TITLE:  
**22U LINIER WM FIXED CABINET- SOLID DOOR**

SIZE	DWG. NO.	REV
<b>A</b>	<b>3141-3-001-22 WP</b>	
SCALE: 1:20	WEIGHT: 68.43	SHEET 2 OF 2