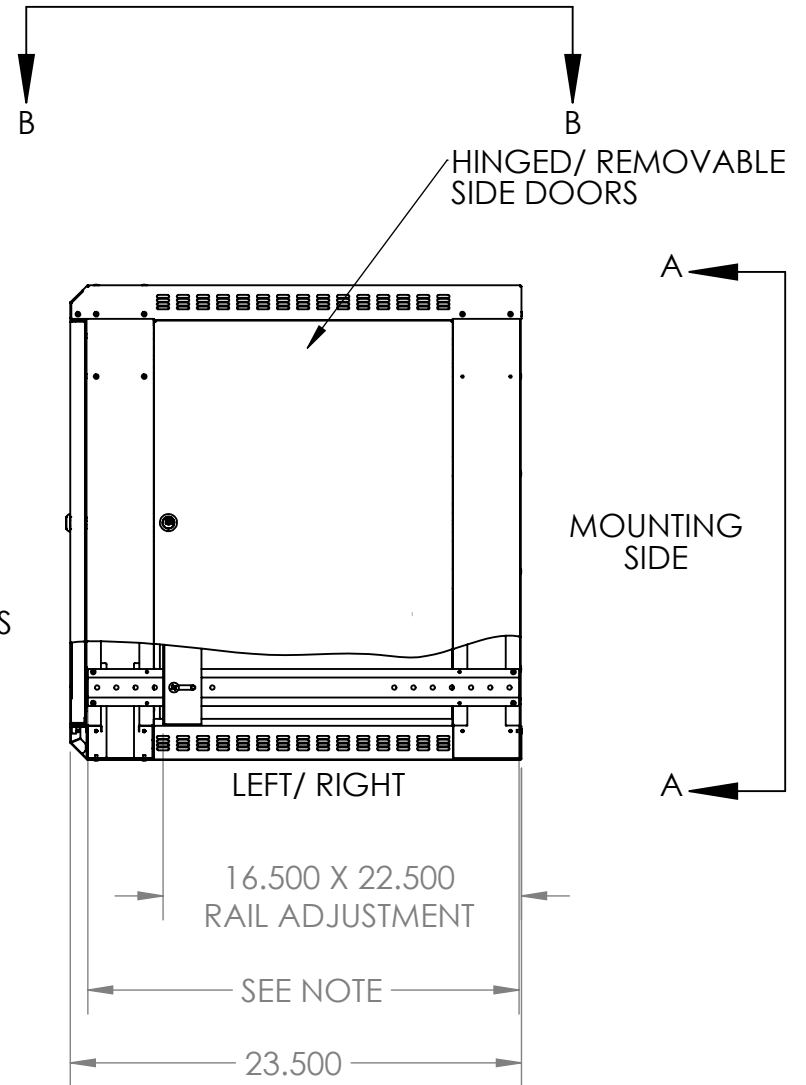
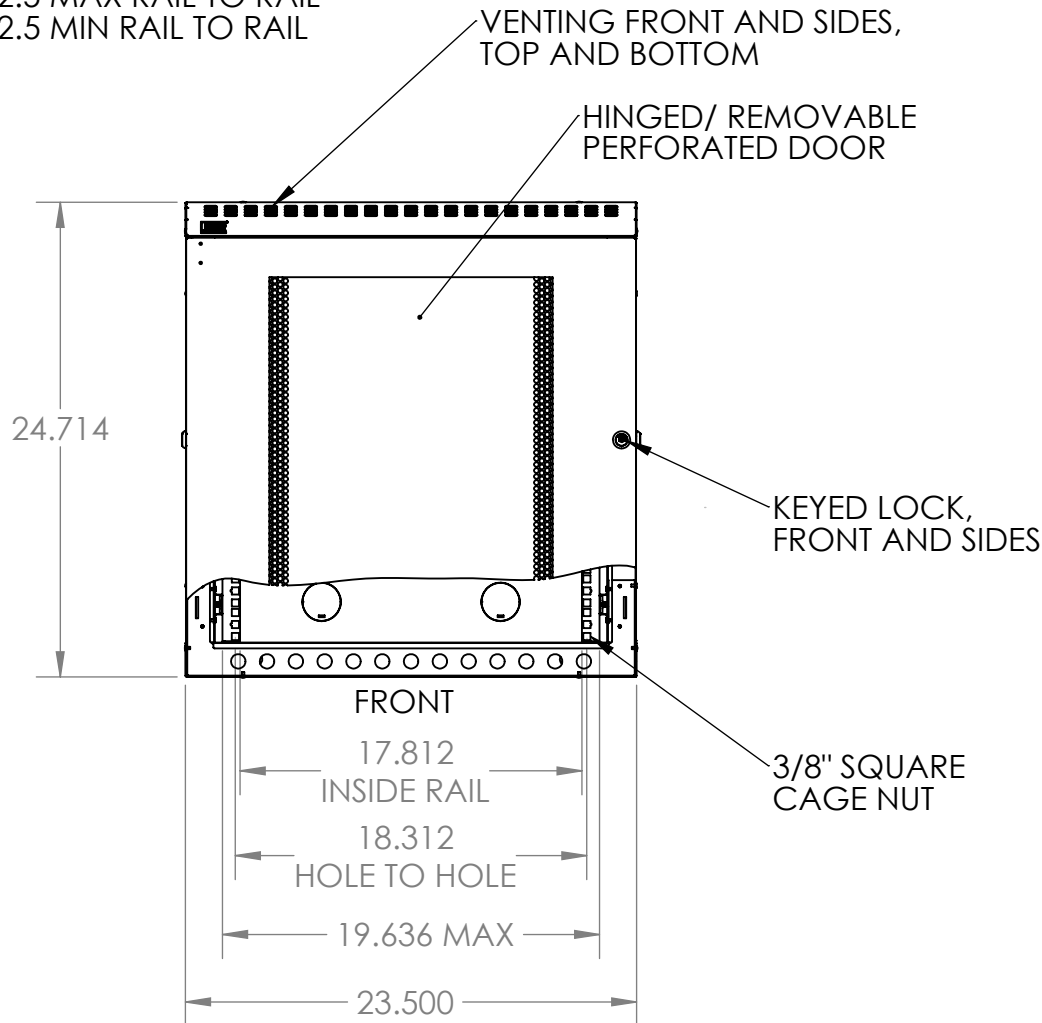


NOTE:  
22.5 MAX RAIL TO RAIL  
12.5 MIN RAIL TO RAIL



UNLESS OTHERWISE SPECIFIED:  
DIMENSIONS ARE IN INCHES  
TOLERANCES:  
FRACTIONAL  $\pm 1/8$   
ANGULAR: BEND  $\pm 1$  DEGREE  
TWO PLACE DECIMAL  $\pm .03$   
THREE PLACE DECIMAL  $\pm .01$

**WEB PRINT**

**PROPRIETARY AND CONFIDENTIAL**  
THE INFORMATION CONTAINED IN THIS  
DRAWING IS THE SOLE PROPERTY OF  
KENDALL HOWARD. ANY REPRODUCTION  
IN PART OR AS A WHOLE WITHOUT THE  
WRITTEN PERMISSION OF KENDALL HOWARD  
IS STRICTLY PROHIBITED.

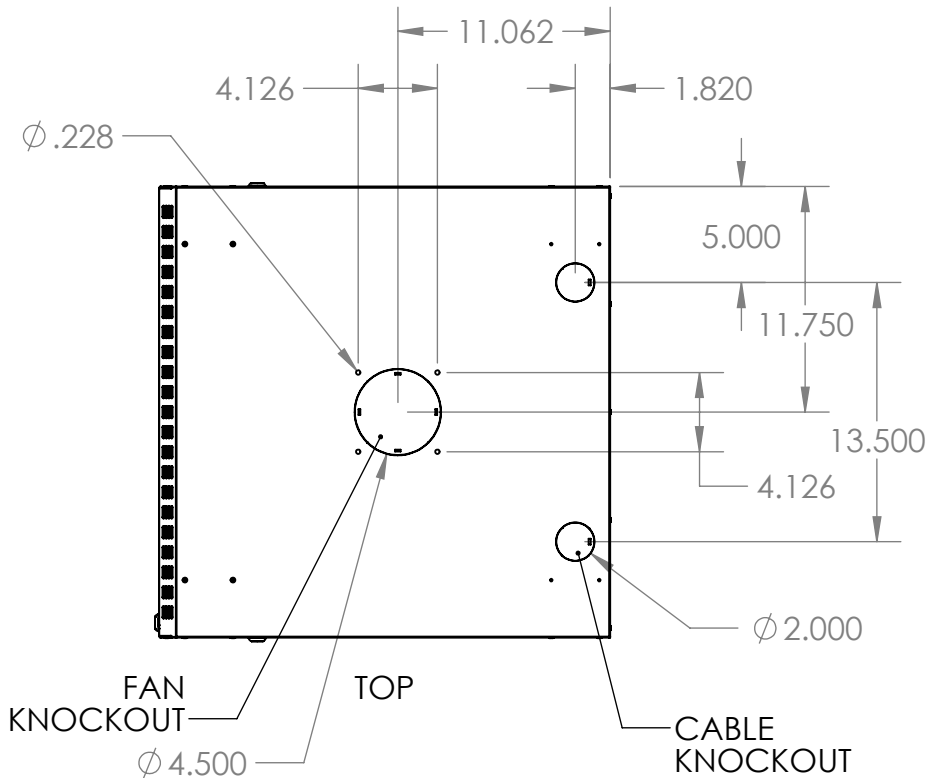
NEXT ASSY		USED ON	FINISH
APPLICATION		DO NOT SCALE DRAWING	

	NAME	DATE
DRAWN		
CHECKED		
ENG APPR.		
MFG APPR.		
Q.A.		
COMMENTS:		

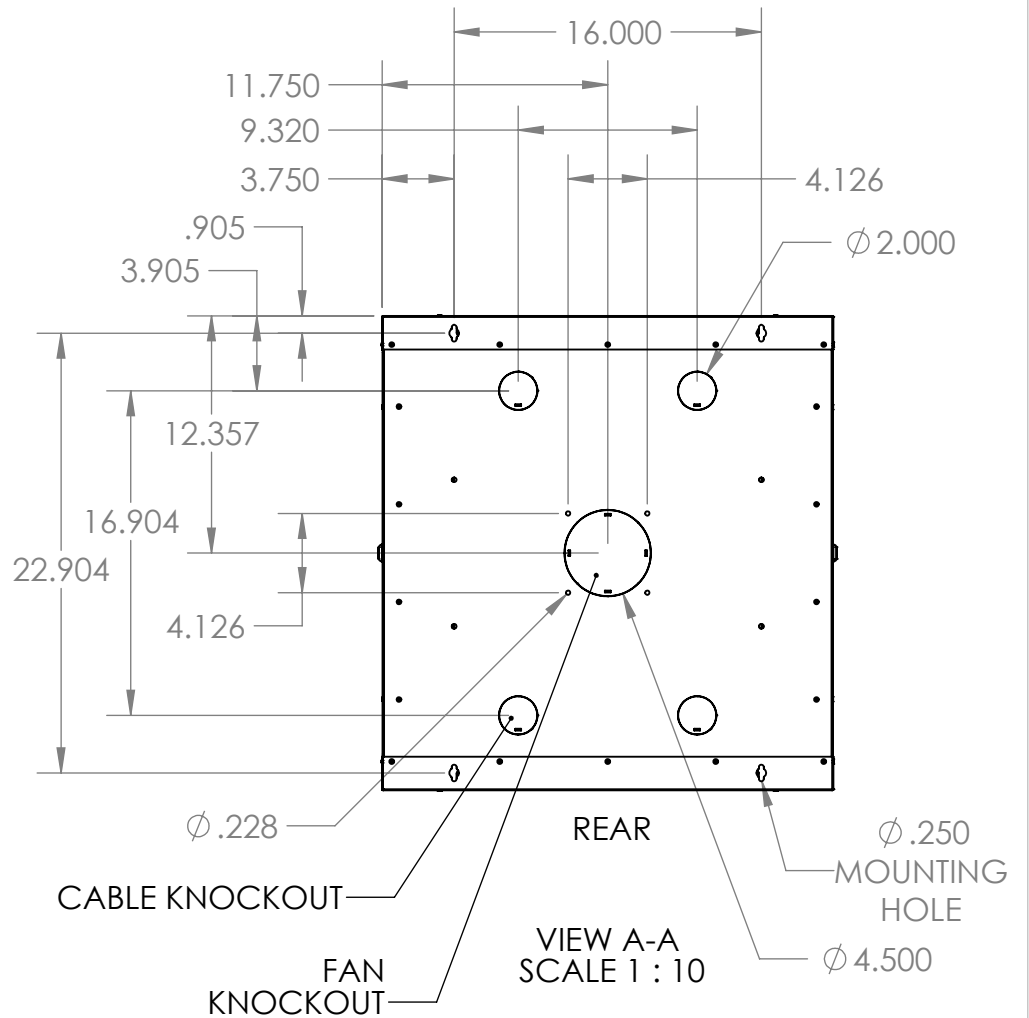
**KENDALL HOWARD**

TITLE:  
12U LINIER WM FIXED  
CABINET, PERFORATED  
DOOR

SIZE	DWG. NO.	REV
<b>A</b>	3142-3-001-12 WP	
SCALE: 1:20	WEIGHT: 46.15	SHEET 1 OF 2



VIEW B-B  
SCALE 1 : 10



**PROPRIETARY AND CONFIDENTIAL**  
THE INFORMATION CONTAINED IN THIS DRAWING IS THE SOLE PROPERTY OF KENDALL HOWARD. ANY REPRODUCTION IN PART OR AS A WHOLE WITHOUT THE WRITTEN PERMISSION OF KENDALL HOWARD IS STRICTLY PROHIBITED.

<b>WEB PRINT</b>	
NEXT ASSY	USED ON
APPLICATION	

UNLESS OTHERWISE SPECIFIED: DIMENSIONS ARE IN INCHES TOLERANCES: FRACTIONAL $\pm 1/8$ ANGULAR: BEND $\pm 1$ DEGREE TWO PLACE DECIMAL $\pm .03$ THREE PLACE DECIMAL $\pm .01$ Surface Area	NAME	DATE
MATERIAL		
FINISH		
DO NOT SCALE DRAWING		

DRAWN		
CHECKED		
ENG APPR.		
MFG APPR.		
Q.A.		
COMMENTS:		

<b>KENDALL HOWARD</b>		
TITLE: <b>12U LINIER WM FIXED CABINET, PERFORATED DOOR</b>		
SIZE	DWG. NO.	REV
<b>A</b>	<b>3142-3-001-12 WP</b>	
SCALE: 1:20	WEIGHT: 46.15	SHEET 2 OF 2