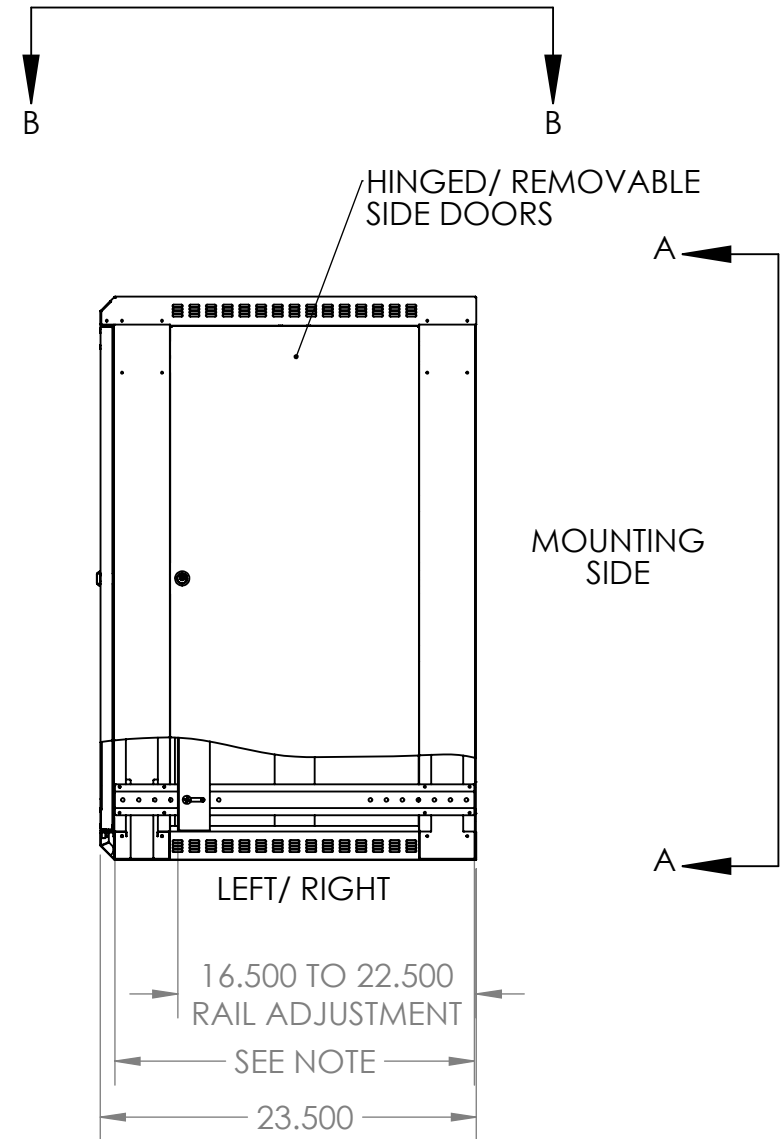
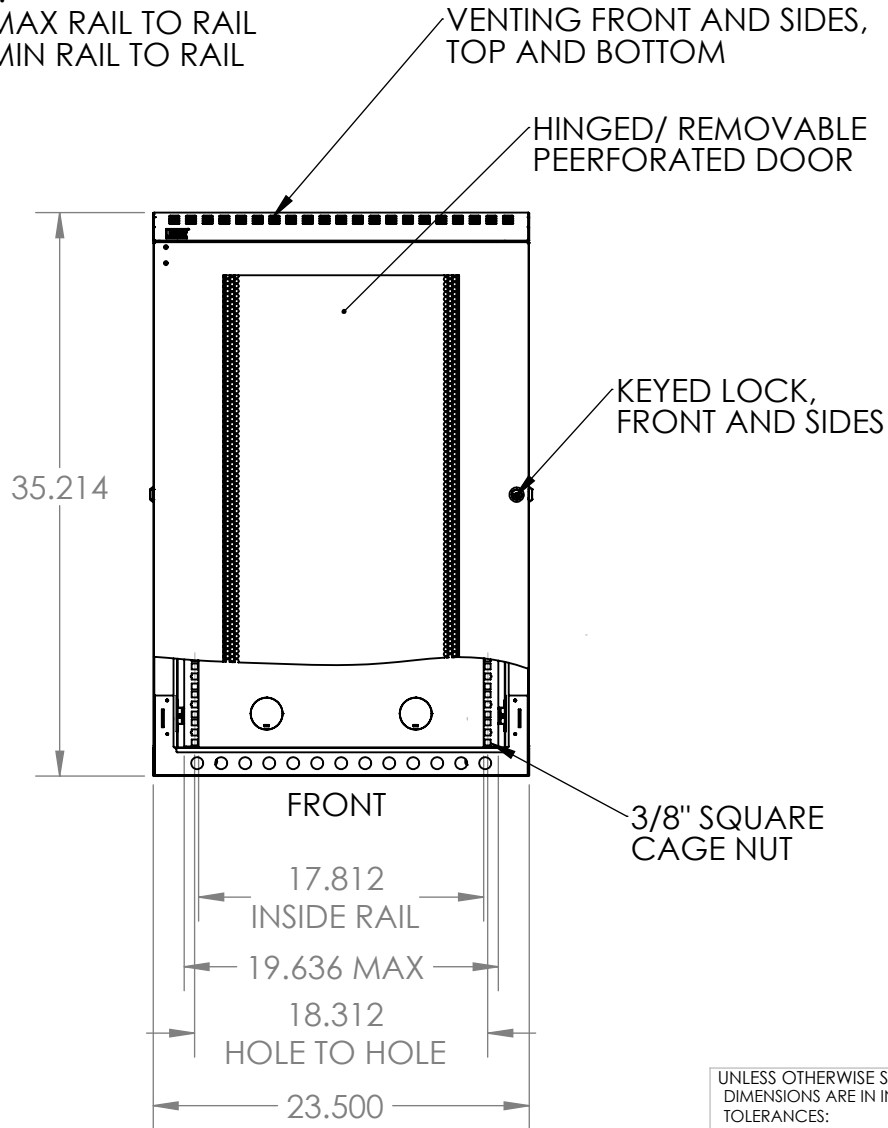


NOTE:  
22.5 MAX RAIL TO RAIL  
12.5 MIN RAIL TO RAIL



UNLESS OTHERWISE SPECIFIED:  
DIMENSIONS ARE IN INCHES  
TOLERANCES:  
FRACTIONAL  $\pm 1/8$   
ANGULAR: BEND  $\pm 1$  DEGREE  
TWO PLACE DECIMAL  $\pm .03$   
THREE PLACE DECIMAL  $\pm .01$

Surface Area

MATERIAL

FINISH

APPLICATION

DO NOT SCALE DRAWING

	NAME	DATE
DRAWN		
CHECKED		
ENG APPR.		
MFG APPR.		
Q.A.		
COMMENTS:		

**KENDALL HOWARD**

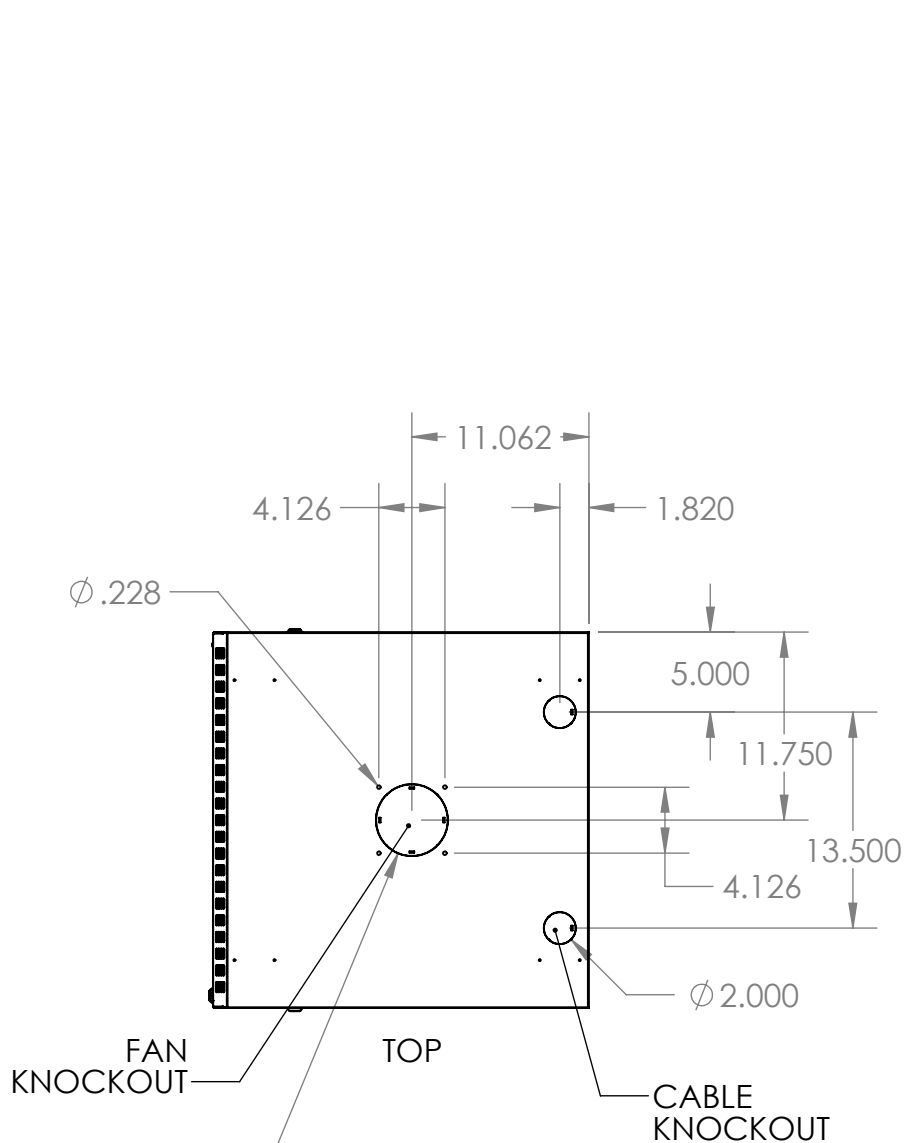
TITLE:  
18U LINIER WM FIXED  
CABINET, PERFORATED  
DOOR

SIZE	DWG. NO.	REV
<b>A</b>	3142-3-001-18 WP	
SCALE: 1:20	WEIGHT: 60.44	SHEET 1 OF 2

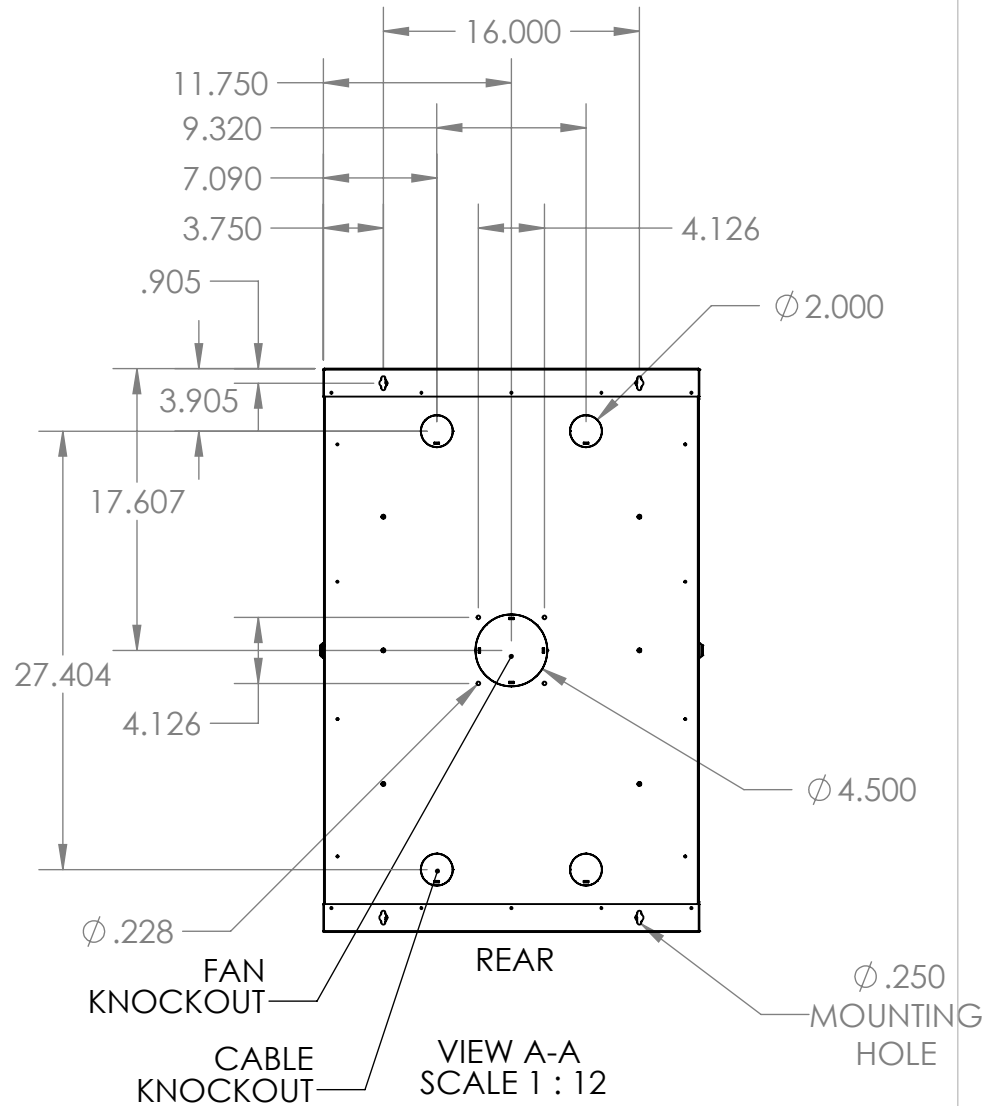
**WEB PRINT**

**PROPRIETARY AND CONFIDENTIAL**  
THE INFORMATION CONTAINED IN THIS  
DRAWING IS THE SOLE PROPERTY OF  
KENDALL HOWARD. ANY REPRODUCTION  
IN PART OR AS A WHOLE WITHOUT THE  
WRITTEN PERMISSION OF KENDALL HOWARD  
IS STRICTLY PROHIBITED.

NEXT ASSY	USED ON



VIEW B-B  
SCALE 1 : 12



VIEW A-A  
SCALE 1 : 12

UNLESS OTHERWISE SPECIFIED:  
DIMENSIONS ARE IN INCHES  
TOLERANCES:  
FRACTIONAL: ±1/8  
ANGULAR: BEND ±1 DEGREE  
TWO PLACE DECIMAL ±.03  
THREE PLACE DECIMAL ±.01

Surface Area  
MATERIAL  
FINISH  
APPLICATION  
DO NOT SCALE DRAWING

**WEB PRINT**

NEXT ASSY	USED ON	
APPLICATION		DO NOT SCALE DRAWING

**PROPRIETARY AND CONFIDENTIAL**  
THE INFORMATION CONTAINED IN THIS DRAWING IS THE SOLE PROPERTY OF KENDALL HOWARD. ANY REPRODUCTION IN PART OR AS A WHOLE WITHOUT THE WRITTEN PERMISSION OF KENDALL HOWARD IS STRICTLY PROHIBITED.

	NAME	DATE
DRAWN		
CHECKED		
ENG APPR.		
MFG APPR.		
Q.A.		
COMMENTS:		

**KENDALL HOWARD**

TITLE:  
**18U LINIER WM FIXED  
CABINET, PERFORATED  
DOOR**

SIZE	DWG. NO.	REV
<b>A</b>	<b>3142-3-001-18 WP</b>	
SCALE: 1:20	WEIGHT: 60.44	SHEET 2 OF 2