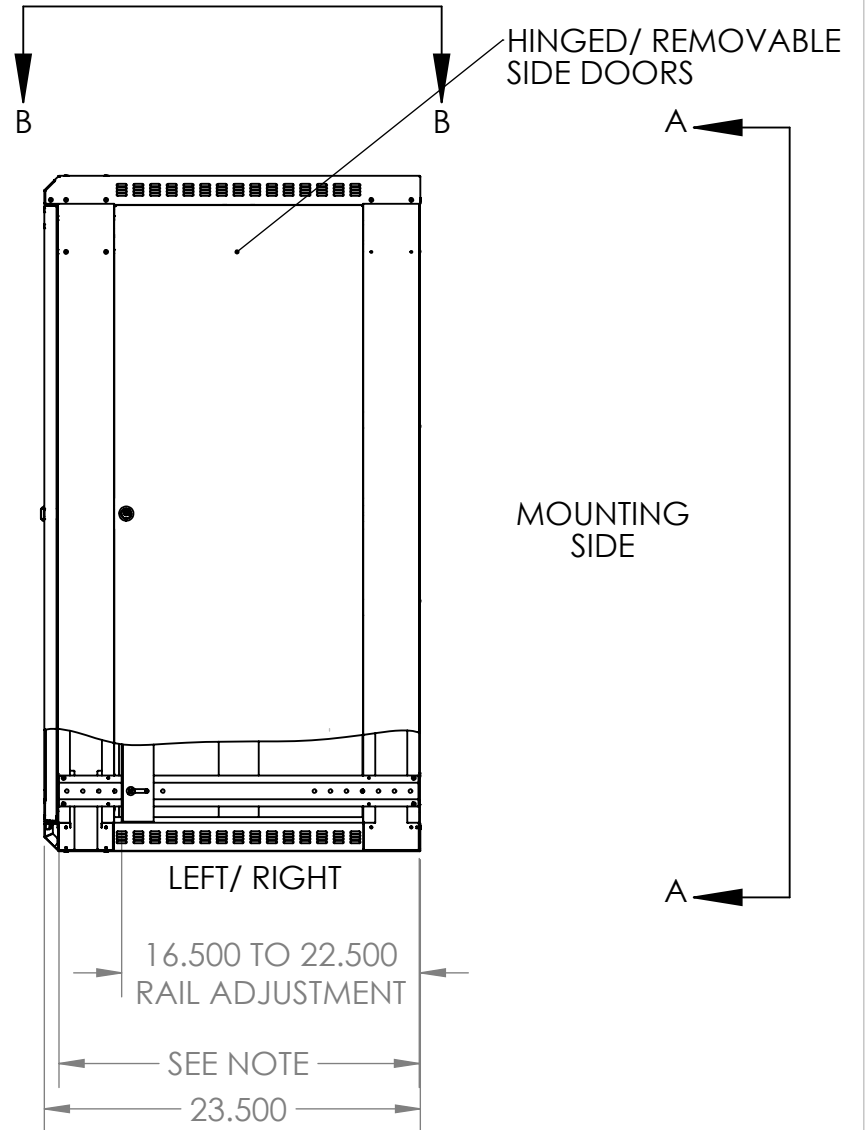
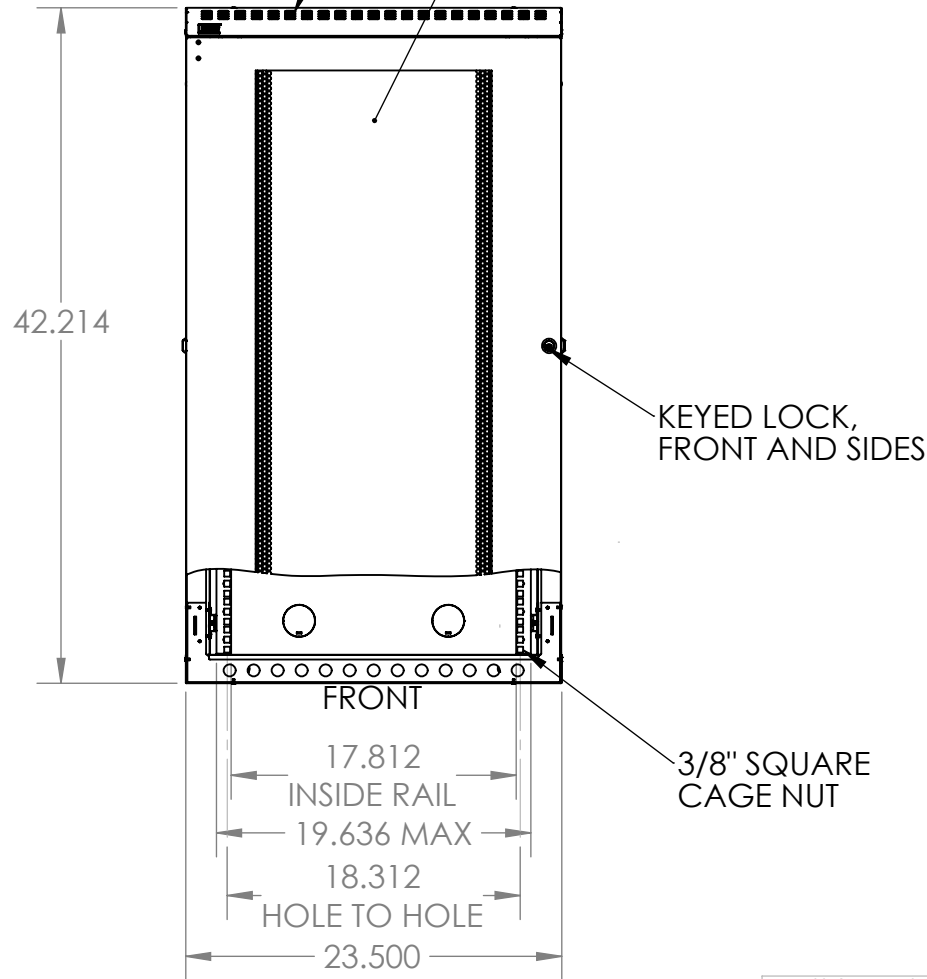


NOTE:
22.5 MAX RAIL TO RAIL
12.5 MIN RAIL TO RAIL

VENTING FRONT AND SIDES,
TOP AND BOTTOM

HINGED/ REMOVABLE
PERFORATED DOOR



UNLESS OTHERWISE SPECIFIED:
DIMENSIONS ARE IN INCHES
TOLERANCES:
FRACTIONAL $\pm 1/8$
ANGULAR: BEND ± 1 DEGREE
TWO PLACE DECIMAL $\pm .03$
THREE PLACE DECIMAL $\pm .01$
Surface Area

WEB PRINT

PROPRIETARY AND CONFIDENTIAL
THE INFORMATION CONTAINED IN THIS
DRAWING IS THE SOLE PROPERTY OF
KENDALL HOWARD. ANY REPRODUCTION
IN PART OR AS A WHOLE WITHOUT THE
WRITTEN PERMISSION OF KENDALL HOWARD
IS STRICTLY PROHIBITED.

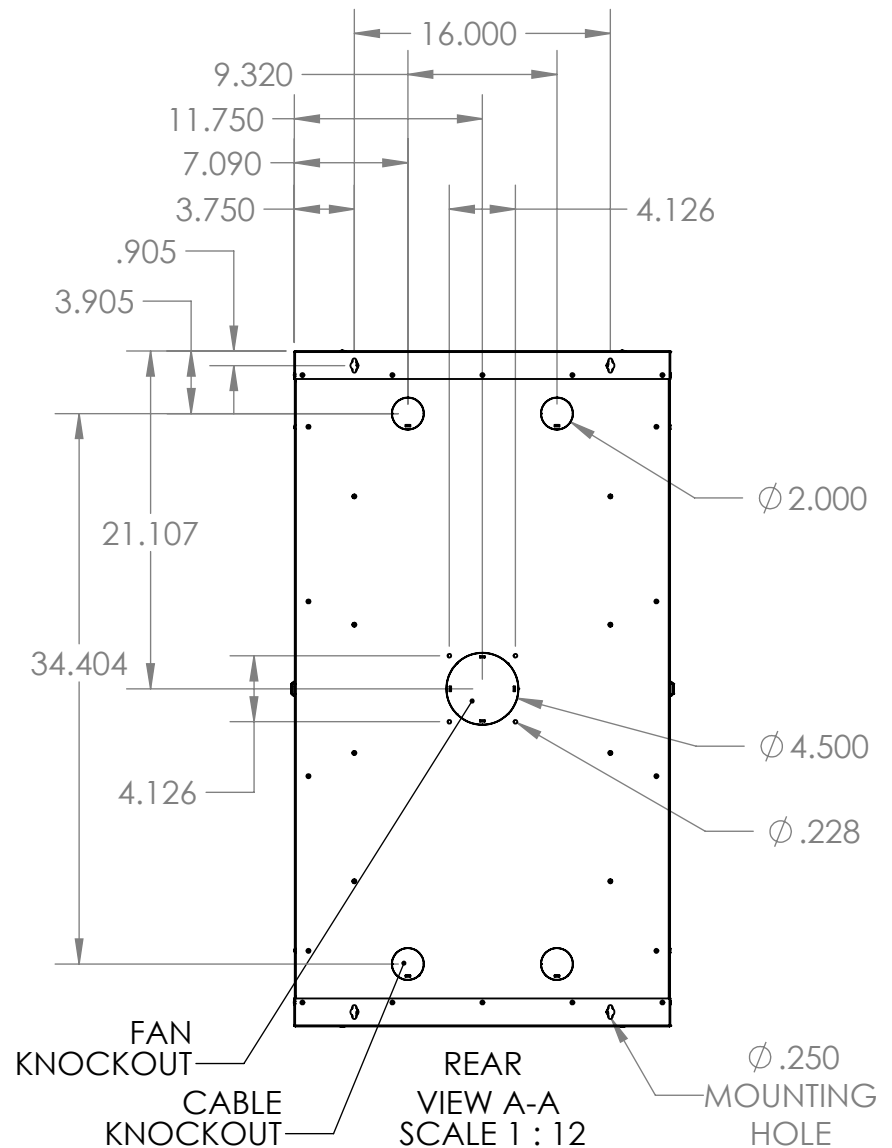
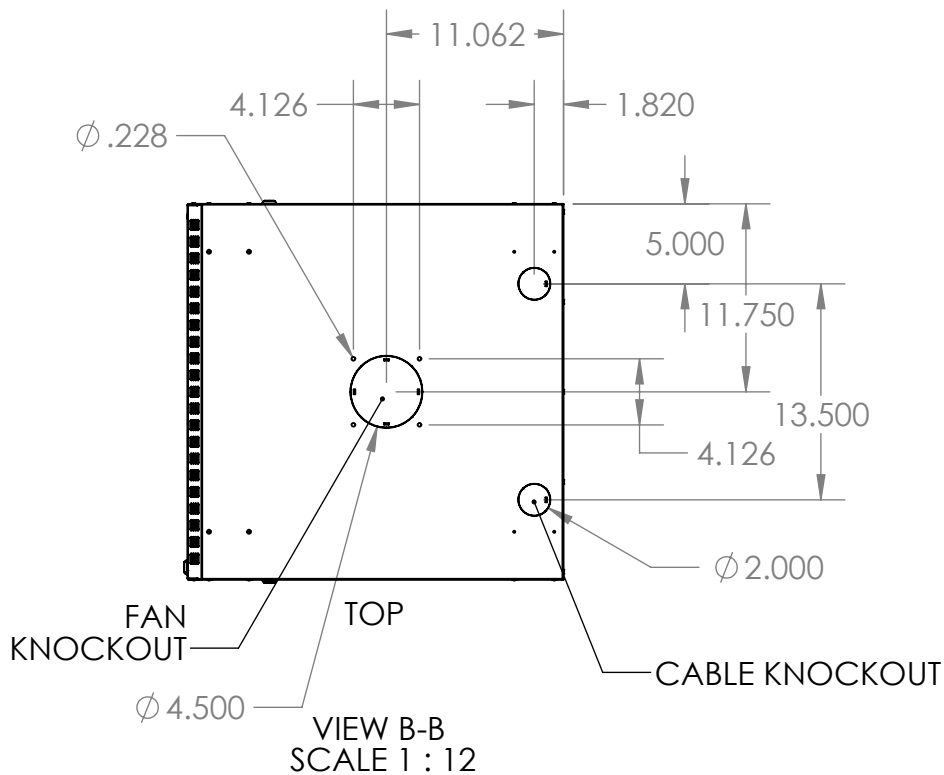
NEXT ASSY		USED ON	MATERIAL
APPLICATION		DO NOT SCALE DRAWING	FINISH

	NAME	DATE
DRAWN		
CHECKED		
ENG APPR.		
MFG APPR.		
Q.A.		
COMMENTS:		

KENDALL HOWARD

TITLE:
22U LINIER WM FIXED
CABINET, PERFORATED
DOOR

SIZE	DWG. NO.	REV
A	3142-3-001-22 WP	
SCALE: 1:20	WEIGHT: 68.89	SHEET 1 OF 2



UNLESS OTHERWISE SPECIFIED:
DIMENSIONS ARE IN INCHES
TOLERANCES:
FRACTIONAL $\pm 1/8$
ANGULAR: BEND ± 1 DEGREE
TWO PLACE DECIMAL $\pm .03$
THREE PLACE DECIMAL $\pm .01$

Surface Area
MATERIAL
FINISH
APPLICATION
DO NOT SCALE DRAWING

WEB PRINT

NEXT ASSY		USED ON	
APPLICATION		DO NOT SCALE DRAWING	

	NAME	DATE
DRAWN		
CHECKED		
ENG APPR.		
MFG APPR.		
Q.A.		
COMMENTS:		

KENDALL HOWARD

TITLE:
22U LINIER WM FIXED CABINET, PERFORATED DOOR

SIZE	DWG. NO.	REV
A	3142-3-001-22 WP	

SCALE: 1:20 WEIGHT: 68.89 SHEET 2 OF 2

PROPRIETARY AND CONFIDENTIAL
THE INFORMATION CONTAINED IN THIS DRAWING IS THE SOLE PROPERTY OF KENDALL HOWARD. ANY REPRODUCTION IN PART OR AS A WHOLE WITHOUT THE WRITTEN PERMISSION OF KENDALL HOWARD IS STRICTLY PROHIBITED.