

VENTING FRONT,
SIDES AND REAR,
TOP AND BOTTOM

- NOTE:
1. 19" EIA RACK MOUNT COMPLIANT.
 2. RAILS ACCEPT 3/8" CAGENUT.
 3. BLACK POWDER COAT.

PROPRIETARY AND CONFIDENTIAL
THE INFORMATION CONTAINED IN THIS DRAWING IS THE SOLE PROPERTY OF KENDALL HOWARD. ANY REPRODUCTION IN PART OR AS A WHOLE WITHOUT THE WRITTEN PERMISSION OF KENDALL HOWARD IS STRICTLY PROHIBITED.

WEB PRINT

| | | |
|-------------|--|---------|
| NEXT ASSY | | USED ON |
| APPLICATION | | |

UNLESS OTHERWISE SPECIFIED:
DIMENSIONS ARE IN INCHES
TOLERANCES:
FRACTIONAL $\pm 1/8$
ANGULAR: BEND ± 1 DEGREE
TWO PLACE DECIMAL $\pm .03$
THREE PLACE DECIMAL $\pm .01$
Surface Area

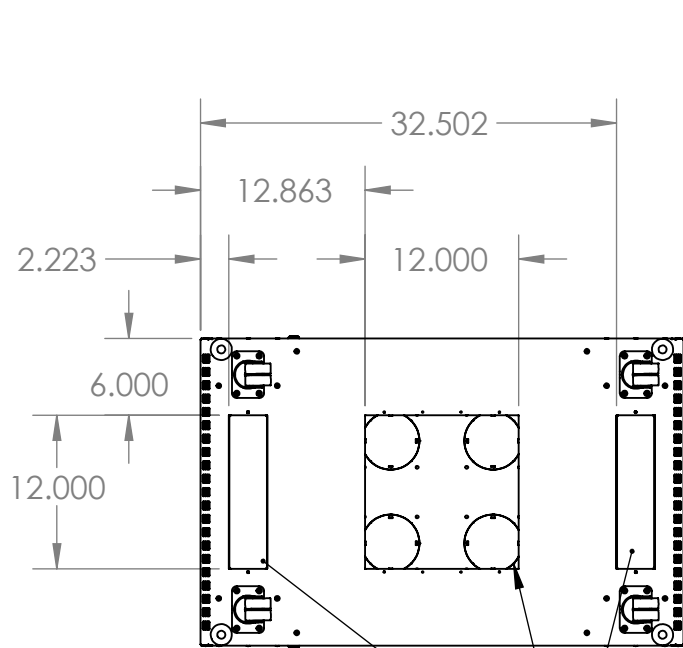
MATERIAL
FINISH
DO NOT SCALE DRAWING

| | NAME | DATE |
|-----------|------|------|
| DRAWN | | |
| CHECKED | | |
| ENG APPR. | | |
| MFG APPR. | | |
| Q.A. | | |
| COMMENTS: | | |

KENDALL HOWARD

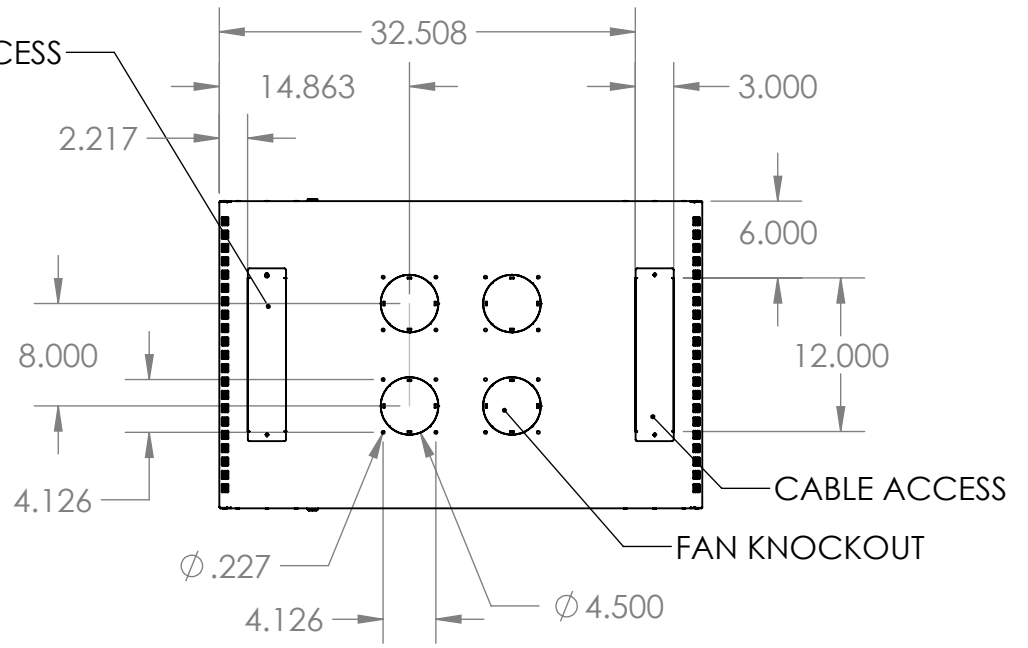
TITLE:
**22U LINIER FS
NO DOORS**

| | | |
|-------------|-------------------------|--------------|
| SIZE | DWG. NO. | REV |
| A | 3180-3-001-22 WP | |
| SCALE: 1:20 | WEIGHT: 90.20 | SHEET 1 OF 2 |



VIEW A-A
SCALE 1 : 15
BOTTOM VIEW

CABLE ACCESS



VIEW B-B
SCALE 1 : 15
TOP VIEW

CABLE ACCESS
FAN KNOCKOUT

PROPRIETARY AND CONFIDENTIAL
THE INFORMATION CONTAINED IN THIS DRAWING IS THE SOLE PROPERTY OF KENDALL HOWARD. ANY REPRODUCTION IN PART OR AS A WHOLE WITHOUT THE WRITTEN PERMISSION OF KENDALL HOWARD IS STRICTLY PROHIBITED.

WEB PRINT

| | | | |
|-----------|--|---------|----------------------|
| NEXT ASSY | | USED ON | APPLICATION |
| MATERIAL | | FINISH | DO NOT SCALE DRAWING |

UNLESS OTHERWISE SPECIFIED:
DIMENSIONS ARE IN INCHES
TOLERANCES:
FRACTIONAL $\pm 1/8$
ANGULAR: BEND ± 1 DEGREE
TWO PLACE DECIMAL $\pm .03$
THREE PLACE DECIMAL $\pm .01$

| | |
|--------------|--|
| Surface Area | |
| MATERIAL | |
| FINISH | |

| | | |
|-----------|------|------|
| | NAME | DATE |
| DRAWN | | |
| CHECKED | | |
| ENG APPR. | | |
| MFG APPR. | | |
| Q.A. | | |
| COMMENTS: | | |

| | | |
|---|-------------------------------------|--------------|
| KENDALL HOWARD | | |
| TITLE: 22U LINIER FS NO DOORS | | |
| SIZE A | DWG. NO. 3180-3-001-22 WP | REV |
| SCALE: 1:20 | WEIGHT: 90.20 | SHEET 2 OF 2 |