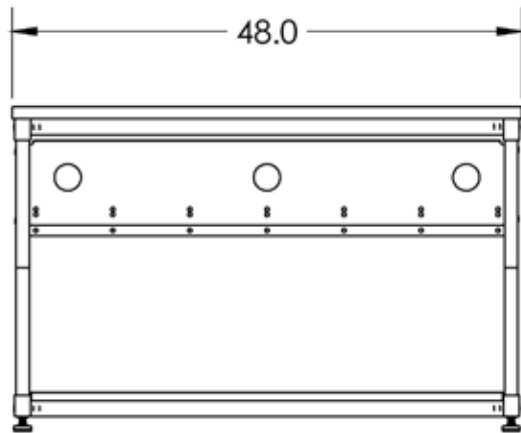
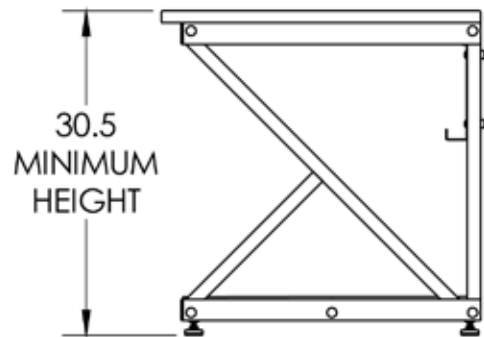
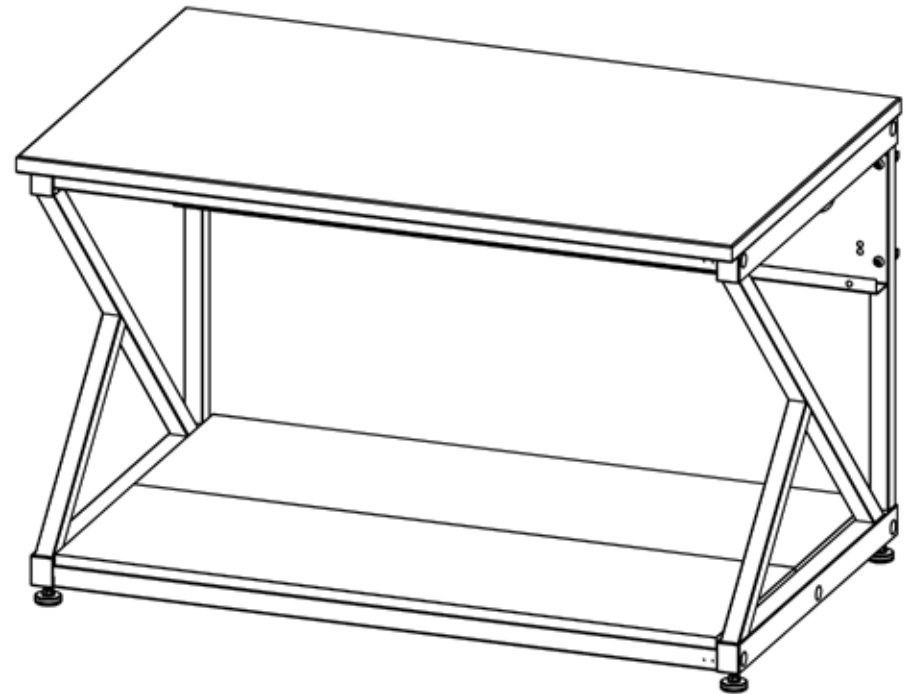




31.2



48.0



30.5  
MINIMUM  
HEIGHT

### WEB PRINT

**PROPRIETARY AND CONFIDENTIAL**  
THE INFORMATION CONTAINED IN THIS DRAWING IS THE SOLE PROPERTY OF KENDALL HOWARD. ANY REPRODUCTION IN PART OR AS A WHOLE WITHOUT THE WRITTEN PERMISSION OF KENDALL HOWARD IS STRICTLY PROHIBITED.

		UNLESS OTHERWISE SPECIFIED: DIMENSIONS ARE IN INCHES TOLERANCES: FRACTIONAL $\pm 1/8$ ANGULAR: BEND $\pm 1$ DEGREE TWO PLACE DECIMAL $\pm .03$ THREE PLACE DECIMAL $\pm .01$	
		Surface Area	
		MATERIAL	
		FINISH	
NEXT ASSY	USED ON		
APPLICATION		DO NOT SCALE DRAWING	

	NAME	DATE
DRAWN	JDG	12/27/2012
CHECKED		
ENG APPR.	RH	3/12/2010
MFG APPR.	DC	3/12/2010
Q.A.		
COMMENTS:		

**KENDALL HOWARD**

TITLE: **48" LAN STATION, FULL BOTTOM ONLY**

SIZE	DWG. NO.	REV
<b>A</b>	5000-3-304-48	
SCALE: 1:18	WEIGHT: 116.04	SHEET 1 OF 1