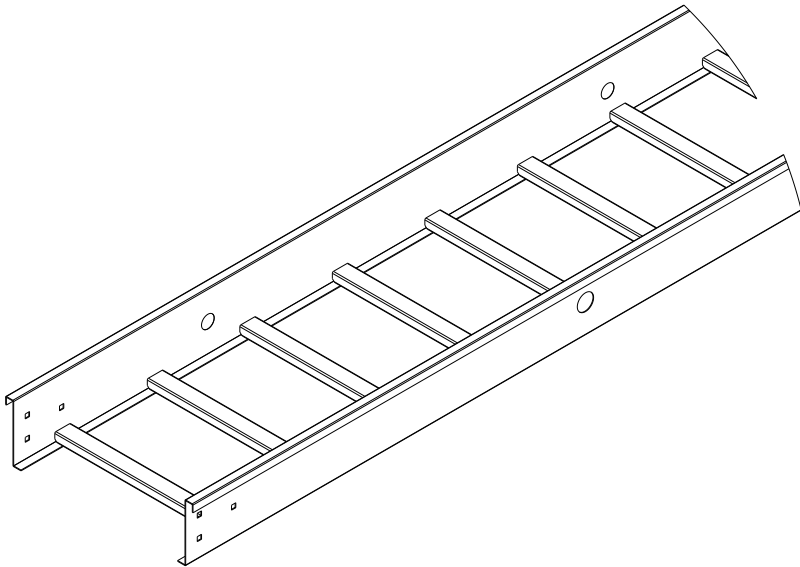


# CABLING LADDER RACK SYSTEM



**Features:**

- ▶ Cold Rolled Steel 18 AWG.
- ▶ Available in 8 ft sections.
- ▶ Load Capacity of 234 lbs per ft .
- ▶ Electrostatic microfinish paint.
- ▶ Includes mounting and a splice kit.

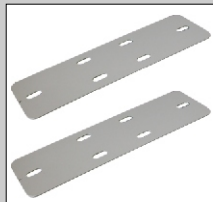


**Side Access**



Features 6 side cutouts (3 in each side) to install 7/8" or 1 1/8" access tubes.

**Splice Kit**



Used to join ladder rack sections end-to-end to form a continuous cable runway.

**Accessories**



Features an extended line of accessories that provide a more competitive solution.

**Specifications**

| Stock No. | A - Width | B - Height |
|-----------|-----------|------------|
| LR08-1003 | 10"       | 3"         |
| LR08-1004 | 10"       | 4"         |
| LR08-1204 | 12"       | 4"         |
| LR08-1404 | 14"       | 4"         |
| LR08-1604 | 16"       | 4"         |
| LR08-2004 | 20"       | 4"         |

