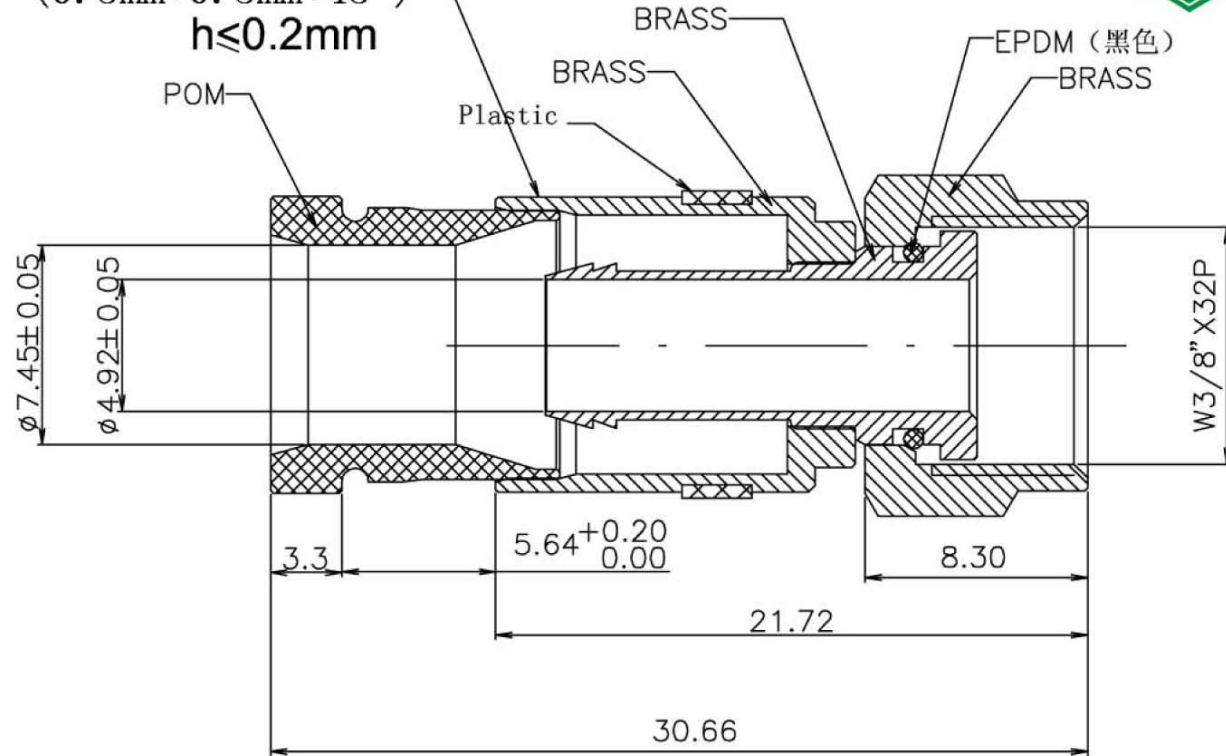
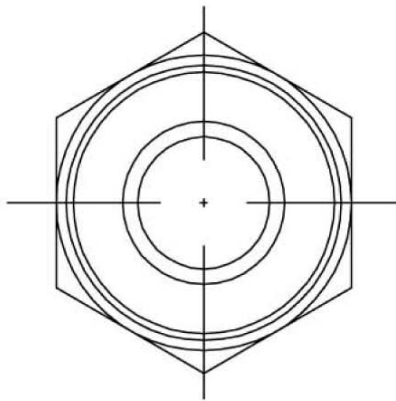




Knurled grip  
 (0.5mm\*0.5mm\*45°)  
 $h \leq 0.2\text{mm}$



UNLSS OTHERWISE SPECIFIED DIMENSIONS ARE IN MINIMETER TOLERANCES ARE: FRACTIONS    DECIMALS    ANGLES $\pm$ $\pm 0.05$ $\pm$					DESCRIPTION	Compression F, RG-6 PVC	SCALE	2/1	UNTTTS:MM	SRD ANGLE
	APPROVED	CHECKED	DRAWING	DESIGNED	MODEL NO	COM-1006				
			CJJ	CJJ	DRAWING NO	CDN-900873				
					FINISHING			2008/12/12		A1
					MATERIAL		SYE	DATE		REVISION