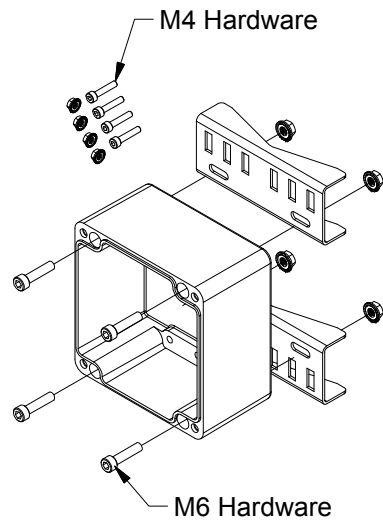
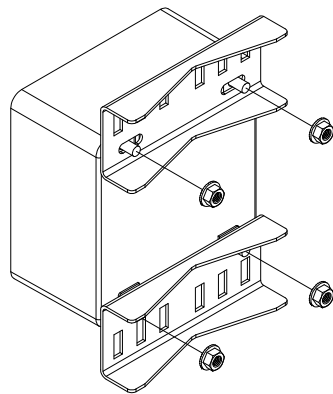


1.



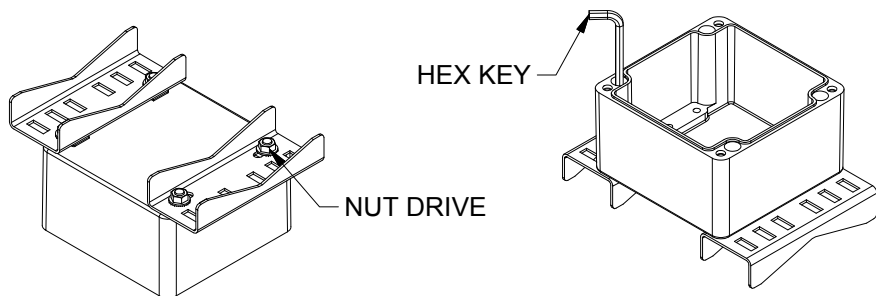
SOME KITS ARE SUPPLIED WITH MULTIPLE HARDWARE. CHOOSE HARDWARE THAT FITS THROUGH BASE HOLES IN BOX

2.



INSTALL BRACKET, THEN FLANGE NUTS

3.

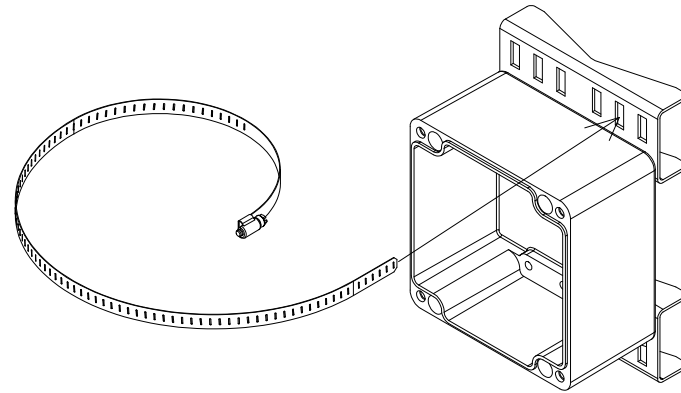


FOR M4 HARDWARE USE A 3mm HEX KEY AND 7mm NUT DRIVE. TORQUE ASSEMBLY TO 150 cN.m (13.5 lbf.in)

FOR M6 HARDWARE USE A 5mm HEX KEY AND 10mm NUT DRIVE. TORQUE ASSEMBLY TO 150 cN.m (13.5 lbf.in)

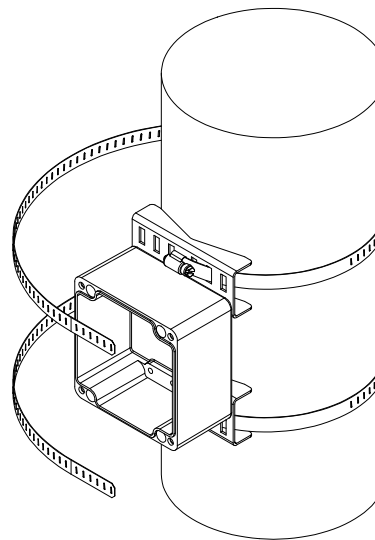
4.

SMALL CLAMP (HCLAMP1), POLE DIAMETER RANGE 1.5in TO 7in (3.8cm to 17.8cm)
LARGE CLAMP (HCLAMP2), POLE DIAMETER RANGE 1.5in TO 15in (3.8cm to 38.1cm)



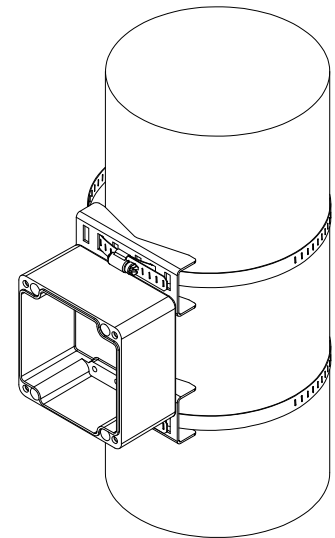
TO INSTALL BRACKETS ON POLE, START BY THREADING CLAMP THROUGH DESIRED SLOT

5.



WRAP CLAMPS AROUND POLE AND THREAD THE CLAMPS BACK THROUGH BRACKET

6.



WHILE HOLDING ENCLOSURE AGAINST THE POLE, TIGHTEN CLAMPS WITH 5/16in (8mm) NUT DRIVE