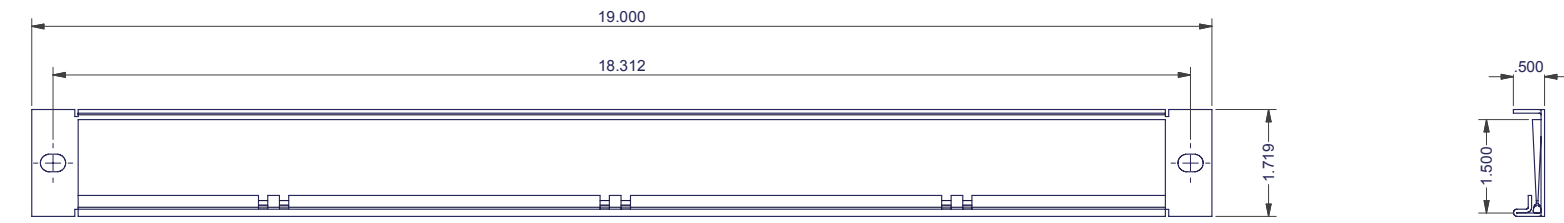
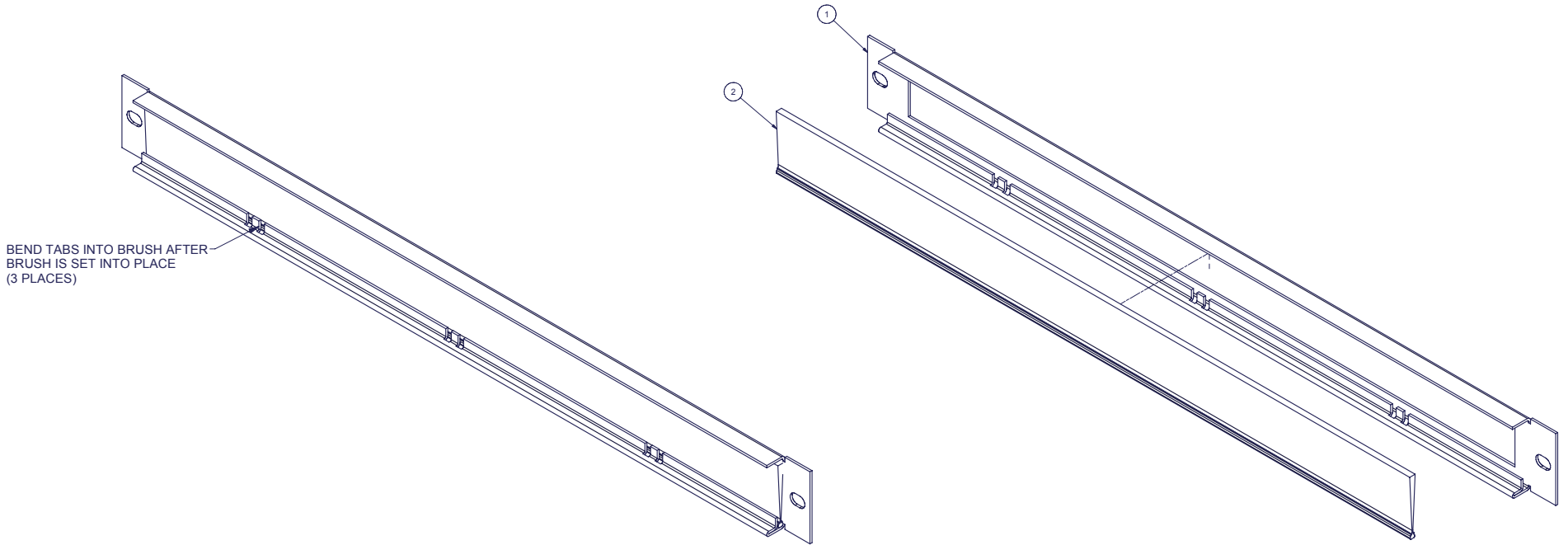


REVISION HISTORY			
REV	DESCRIPTION	DATE	APPROVED
0	ECC-02567	5/27/2009	CD

Bill of Material						
ITEM	PART NUMBER	STOCK NUMBER	QTY	DESCRIPTION	FILE NAME	REVISION
1			1	1U HIGH 19" BRUSH FILLER PANEL	I008397.ipt	0
2			1	TANIS BRUSH - SS BACKING, #2.5, STRIP BRUSH, NYLON FILL	I008398.ipt	0



INTERPRET DRAWING PER ASME Y14.5M-1994
 DIMENSIONAL LIMITS APPLY
 AFTER APPLICATION OF FINISH
 DRAWING NOT TO SCALE
 TOLERANCE UNLESS OTHERWISE NOTED:
 ANGULAR +/- 1°
 XXXX +/- .010
 XXX +/- .015
 XX +/- .030
 X FOR REF. ONLY
 UNLESS OTHERWISE SPECIFIED
 ALL DIMENSIONS ARE IN INCHES

NOTICE:
 Use of this document is subject to a confidentiality and nondisclosure agreement with Great Lakes Case & Cabinet Co., Inc. (GLCC) and may not be reproduced, disclosed or utilized in whole or in part without prior written authorization from GLCC.

PART NUMBER:
1.75FP19BG
 QTY PER UNIT: 1
 MATERIAL TYPE:
 MATERIAL GRADE:
#16 GA
 FINISH:

TITLE:
1 RMU FILLER PANEL 19" MOUNTING BRUSH GROMMET
 GREAT LAKES CASE & CABINET CO., INC.
 P.O. BOX 551 EDINBORO, PA 16412
 PHONE: (814) 734-7303 FAX: (814) 734-3907
 E-MAIL: glcc@greatlakescabinets.com
 DRAWN: CD DATE: 5/27/2009
 CHECKED & APP: WSS DATE: 5/27/09
 DWG NO: I008396
 REV: 0
 SHEET: 1 OF 1

