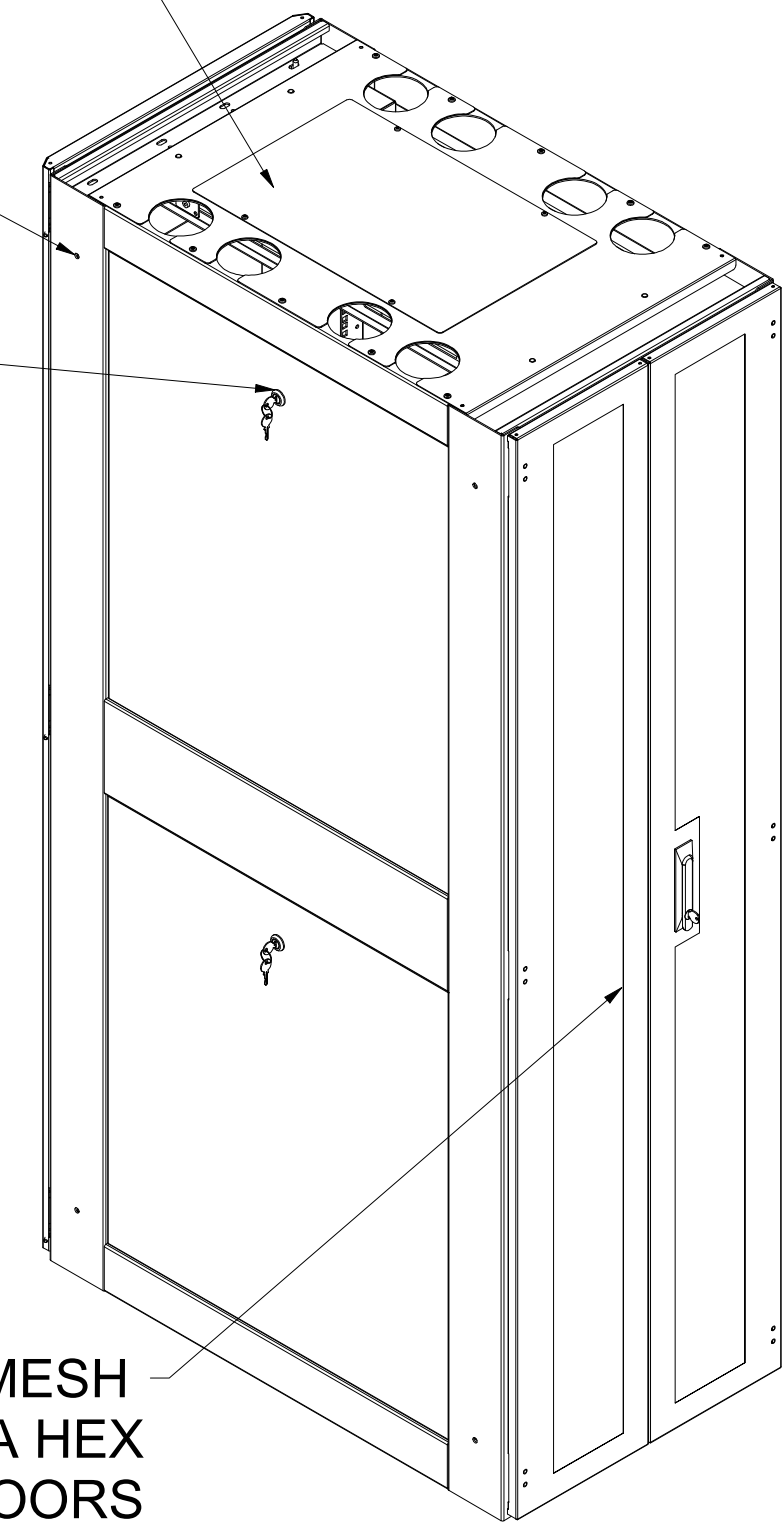


FITS ALL STANDARD ES TOP PANELS
SOLID TOP PANEL INCLUDED

0.37 NETWORK HOLES

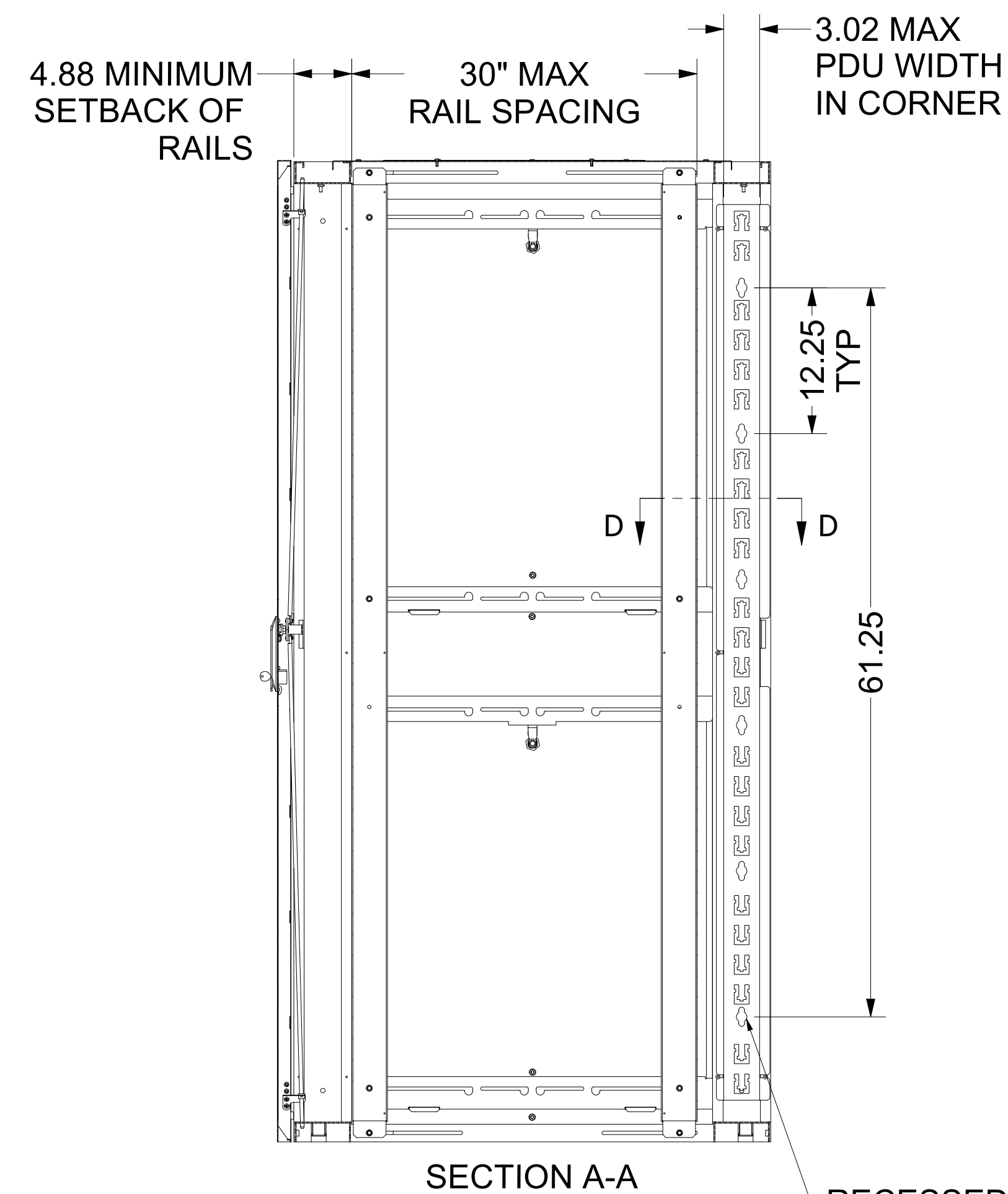
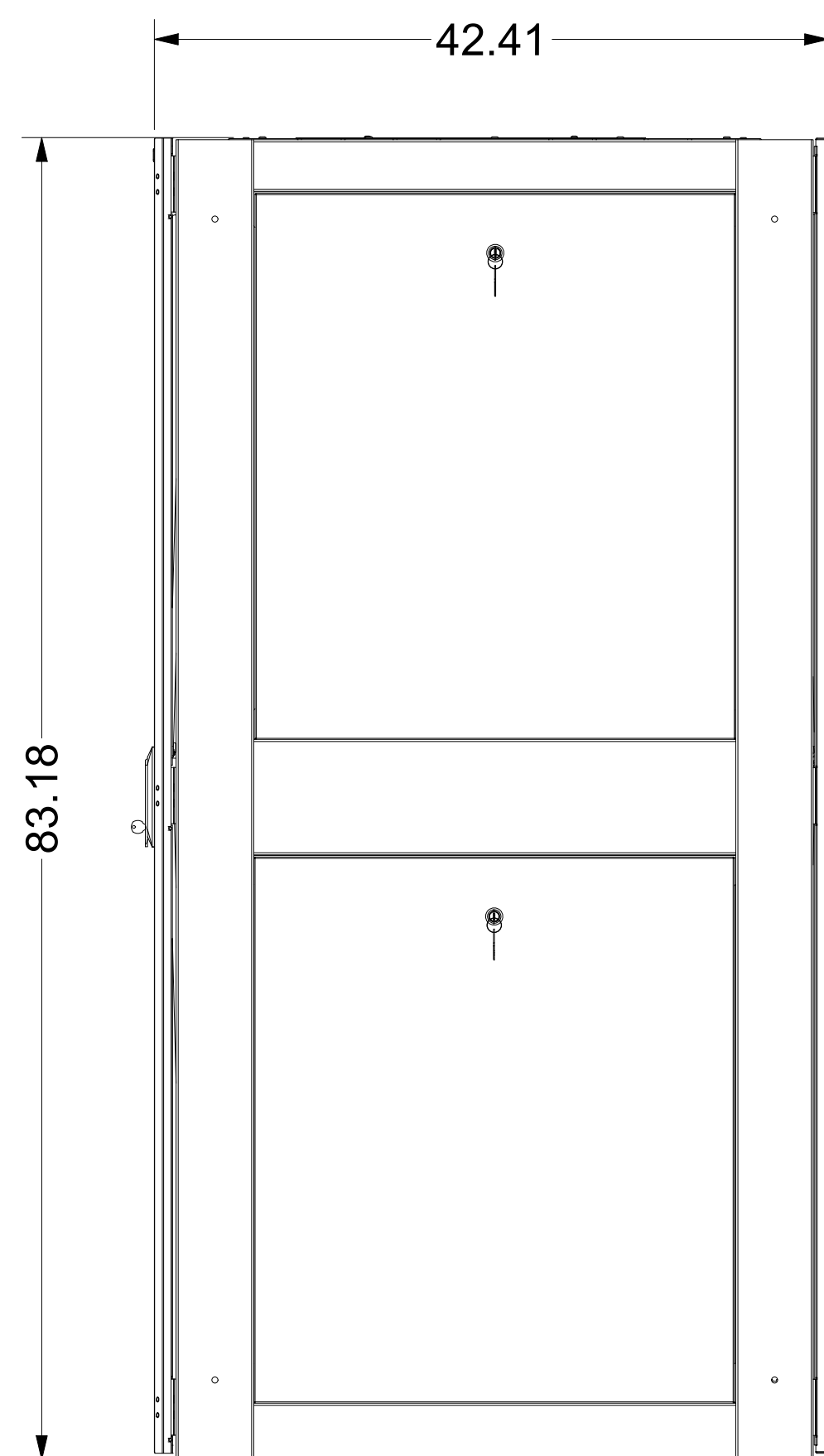
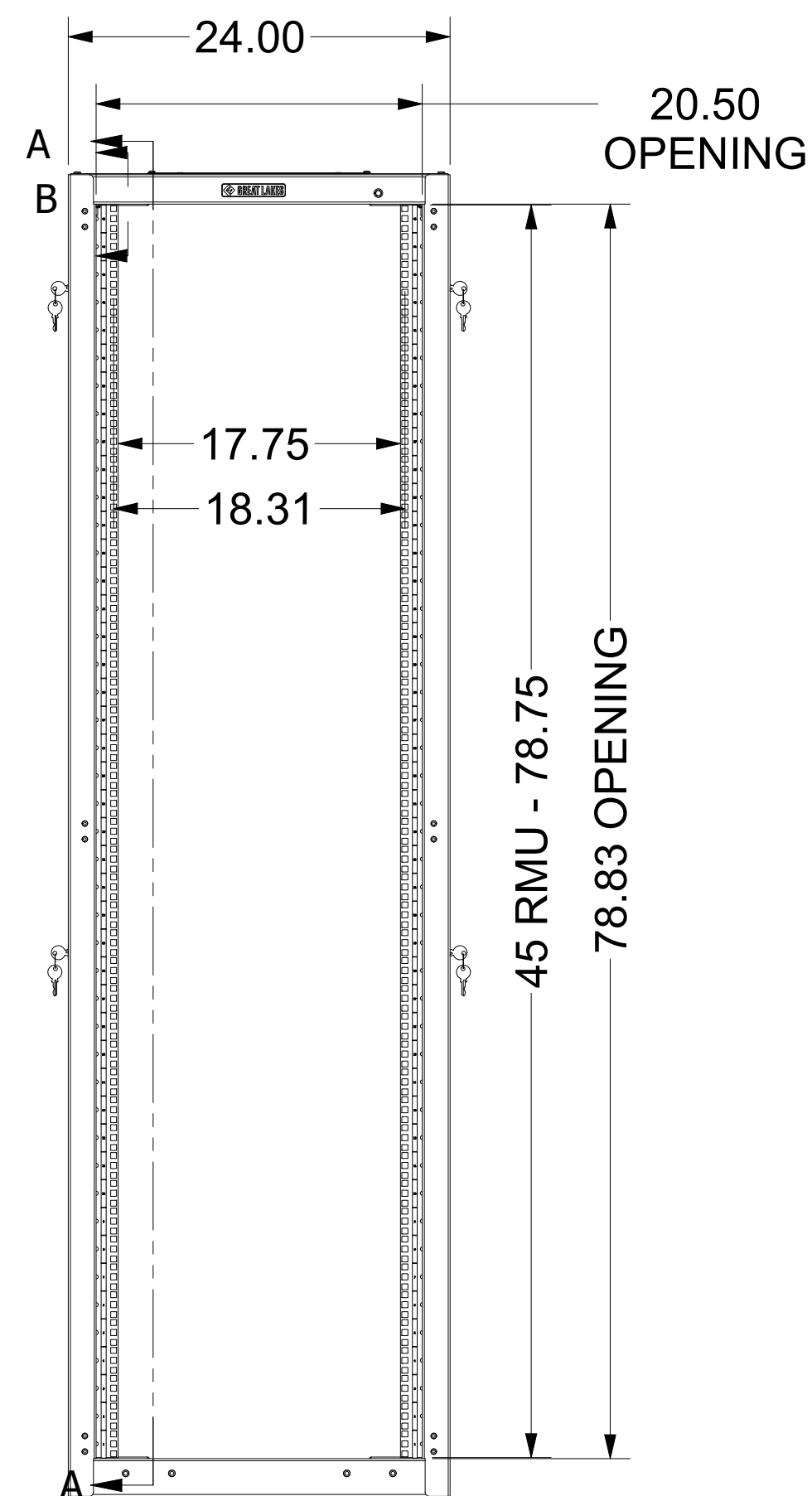
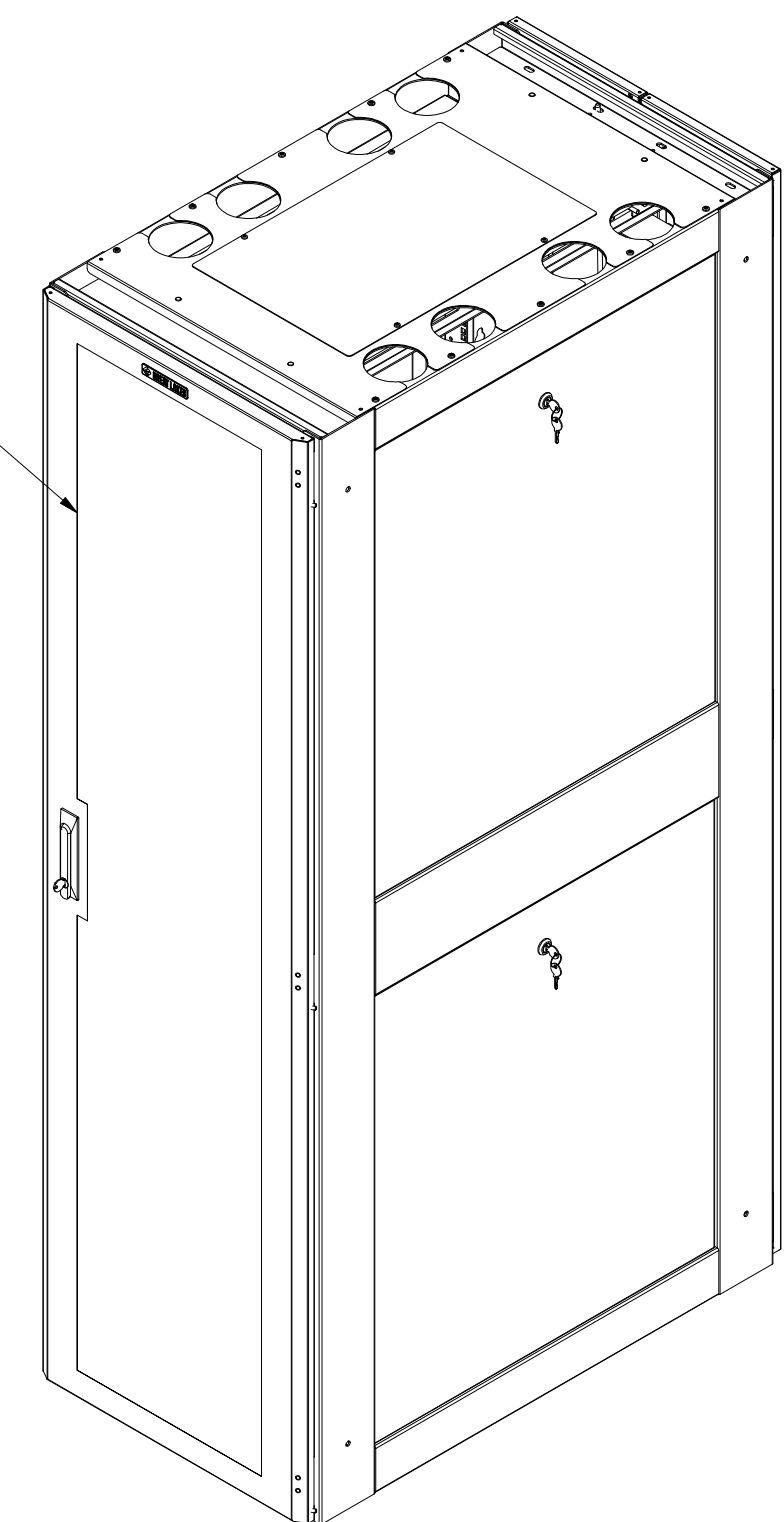
SPLIT RECESSED SIDE PANELS
KEYED SAME AS HANDLE #1333



SPLIT MESH
77% OPEN AREA HEX
REAR DOORS

3PT LATCHING
77% OPEN AREA HEX
MESH DOOR

FRONT & REAR
LOCKING SWING HANDLE
KEYED #1333



RECESSED PDU MOUNTING /
CABLE LACING BAR
(2 PER FRAME)

SPECIFICATIONS:

DIMENSIONS : 83.2"H x 24.0"W x 42.4"D

RACK SPACES : 45 RMU w/ NUMBERED RMU INDICATORS, 19" EIA 310-E COMPLIANT.

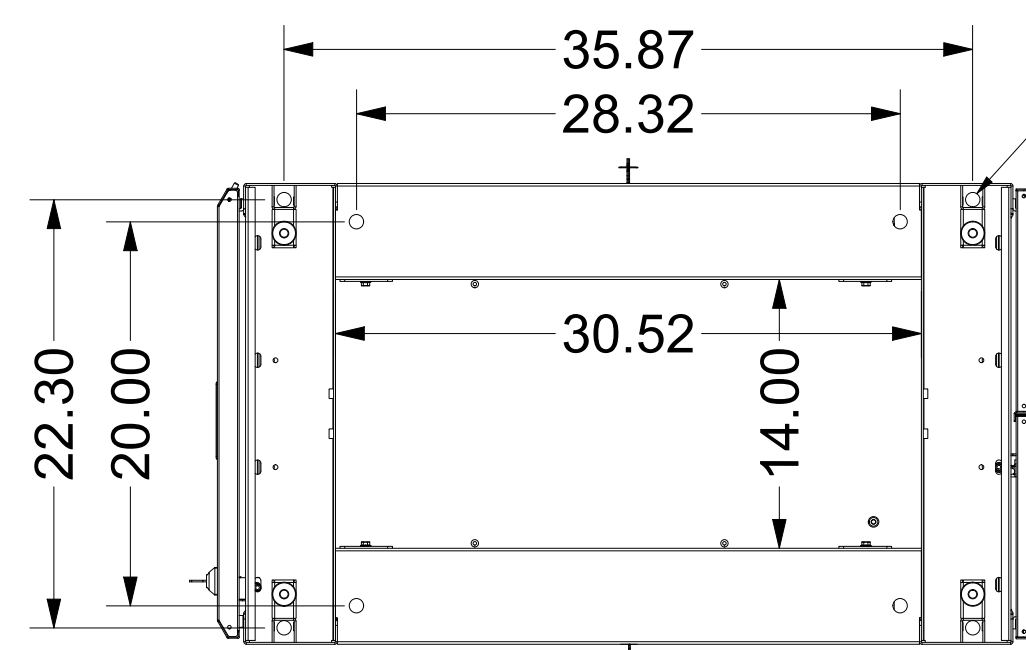
CERTIFICATIONS : CONFORMS TO NEBS GR-63-CORE FOR 1500lbs WEIGHT CAPACITY
NON SEISMIC STATIC WEIGHT CAPACITY, 6000lbs.

CONSTRUCTION : 2 PAIR WELDED MOUNTING RAILS , #12 GA. C.R.S.
FULLY WELDED FRAME, #12 GA
DOORS, SIDE PANELS, TOP PANEL, #16 C.R.S.

HARDWARE : PACKAGE OF QTY-50; M6 SCREWS AND CAGE NUTS, INCLUDED.
SEISMIC ANCHOR KIT #AK101 INCLUDED.

COLOR : DURABLE TEXTURED BLACK / WINTER WHITE POWDER COATING; ADDITIONAL
COLORS AVAILABLE UPON REQUEST.

CABINET WEIGHT: 414 LBS, **SHIPPING WEIGHT :** 444 LBS.



(8) .750 ANCHORING
LOCATIONS; USE OUTER
ANCHOR LOCATIONS TO ATTAIN
FULL SEISMIC RATING

TESTED WITH ANCHOR KIT
AK101, INCLUDED



EST. WEIGHT :
N/A

INTERPRET DRAWING PER ASME Y14.5M-1994
DIMENSIONAL LIMITS APPLY AFTER APPLICATION OF FINISH
DRAWING NOT TO SCALE
TOLERANCE UNLESS OTHERWISE NOTED:
ANGULAR +/- .1°
.XXXX +/- .010
.XXX +/- .015
.XX +/- .030
.X FOR REF. ONLY
UNLESS OTHERWISE SPECIFIED ALL DIMENSIONS ARE IN INCHES

NOTICE:

Use of this document is subject to a confidentiality and nondisclosure agreement with Great Lakes Data Racks & Cabinets and may not be reproduced, disclosed or utilized in whole or in part without prior written authorization from Great Lakes.

PART NUMBER: GL45UG2EZ-2442-X-MSS	TITLE 45U X 24 X 42 SEISMIC ENCLOSURE ASSEMBLY
MATERIAL TYPE: CRS	GREAT LAKES DATA RACKS & CABINETS P.O. BOX 551 EDINBORO, PA 16412 PHONE (814) 734-7303 FAX (814) 734-3907 E-MAIL info@greatcabinets.com
MATERIAL GAUGE: POWDER	
DRAWN TomD	DATE 12/30/2021
CHECKED & APP. DATE	DATE
DWG NO: 45UG2EZ-2442-X-MSS	REV 0
SHEET: 1 OF 1	