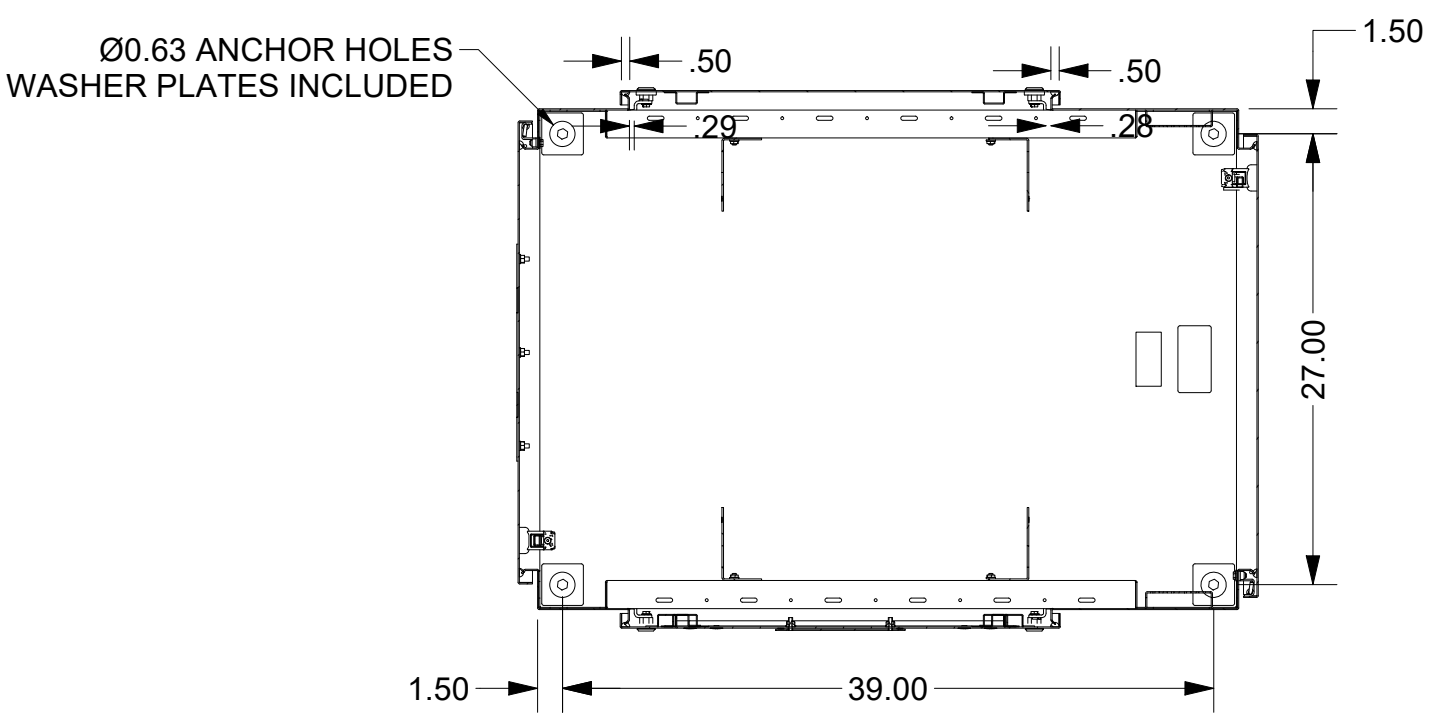
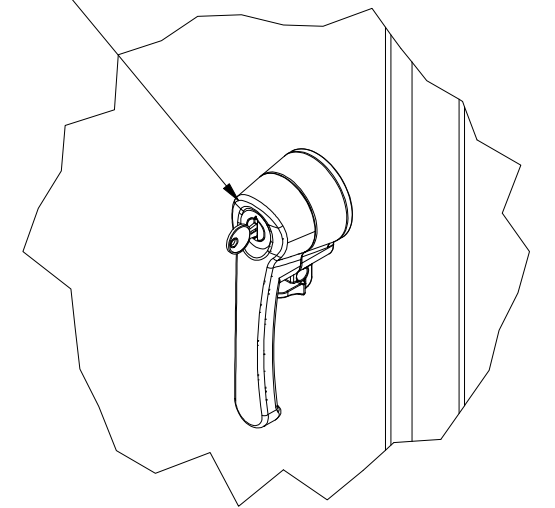
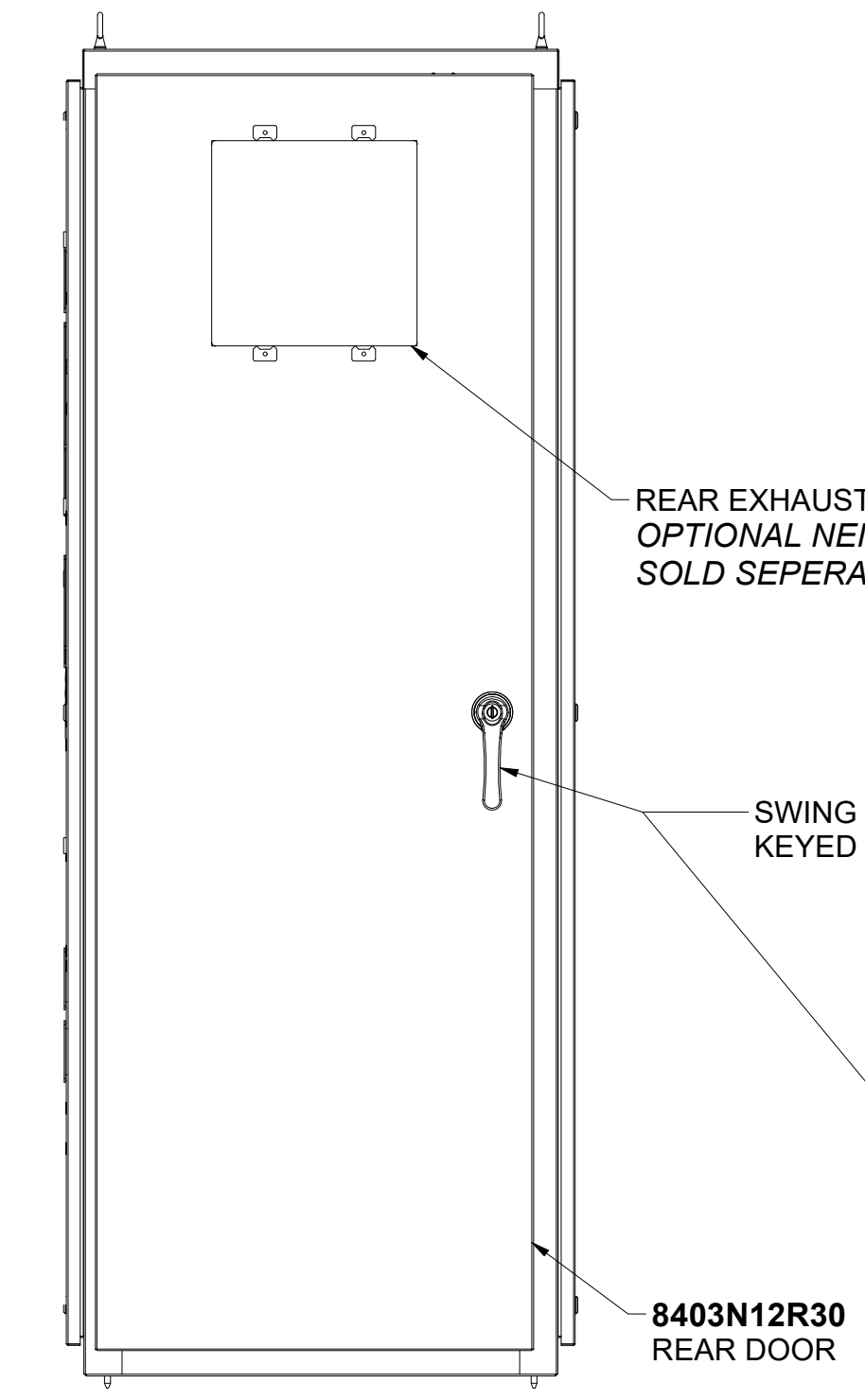
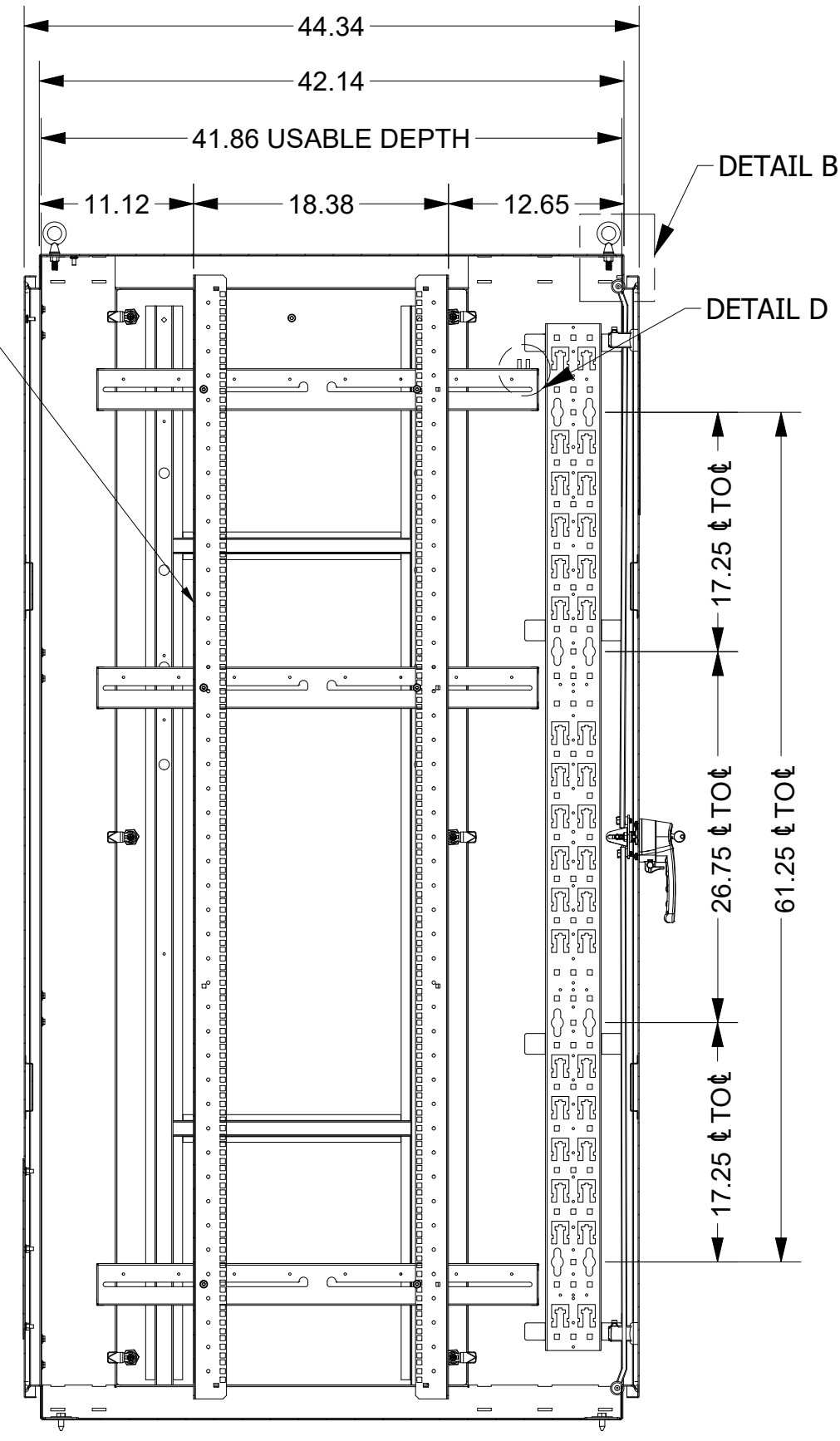
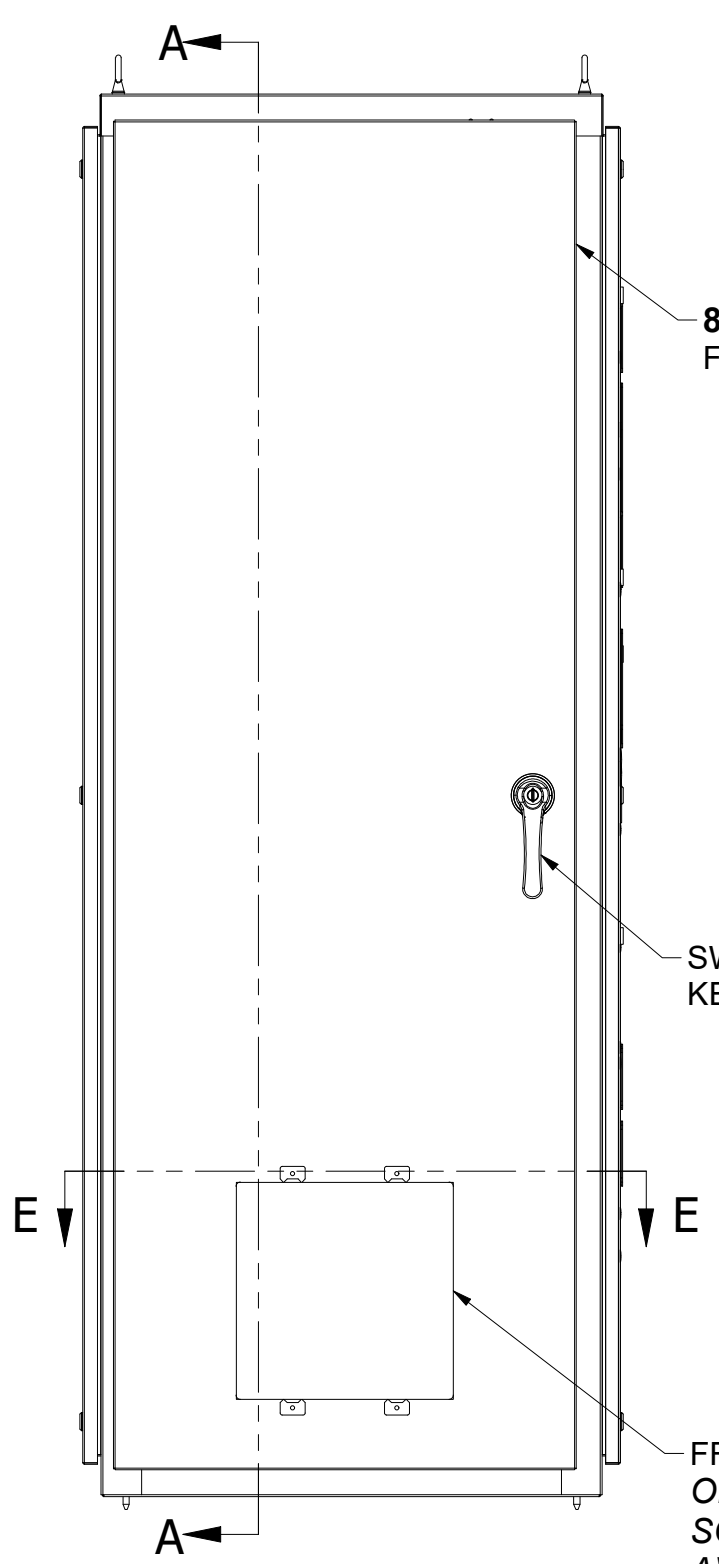
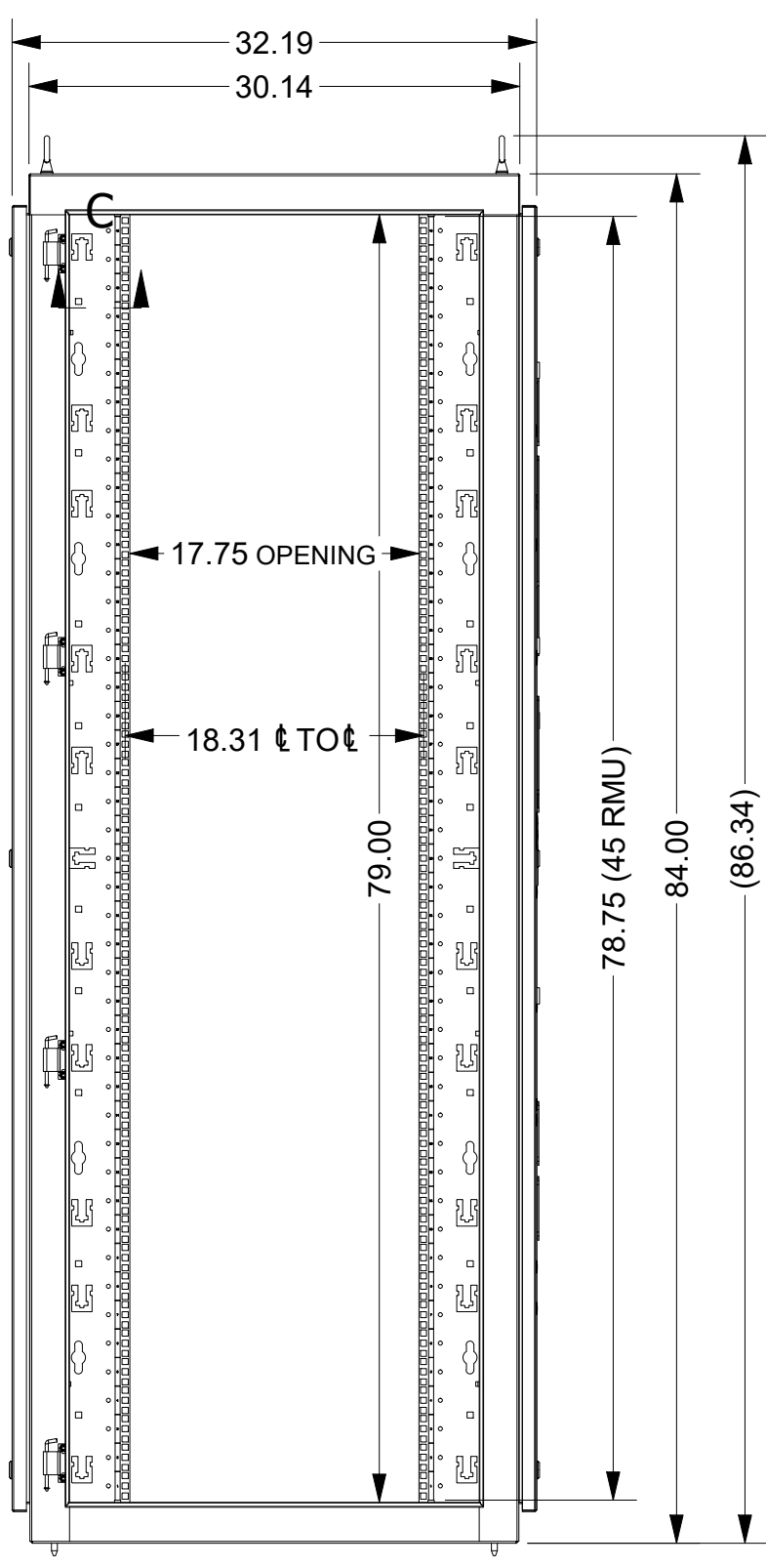
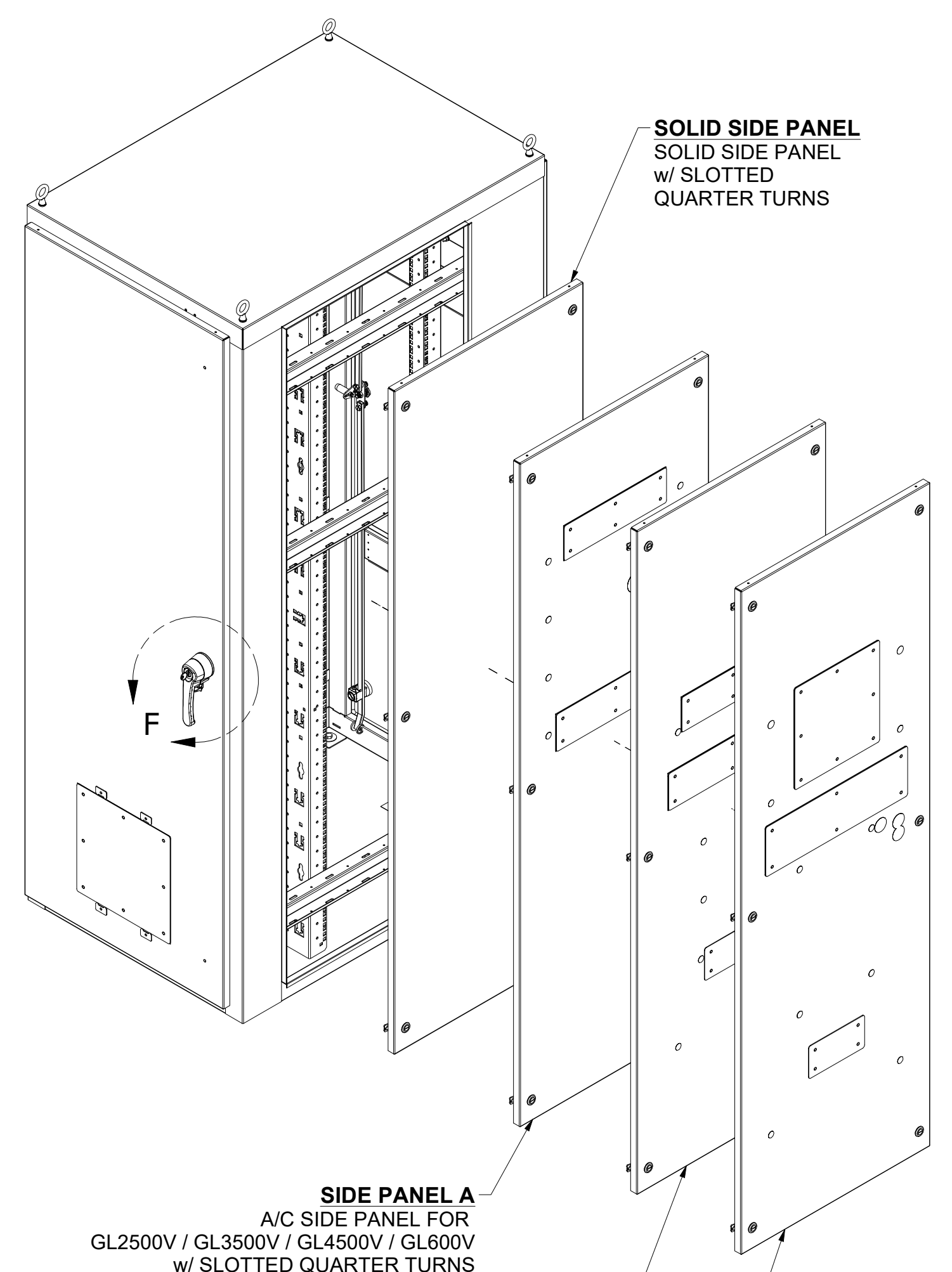
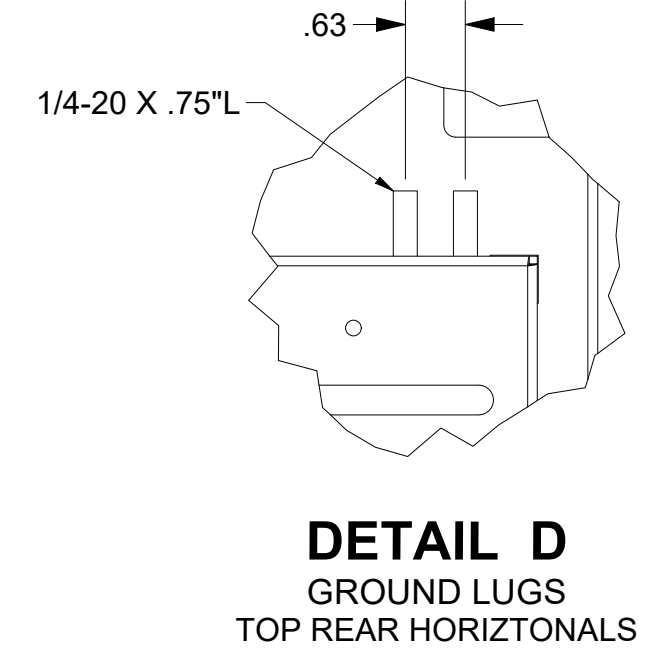
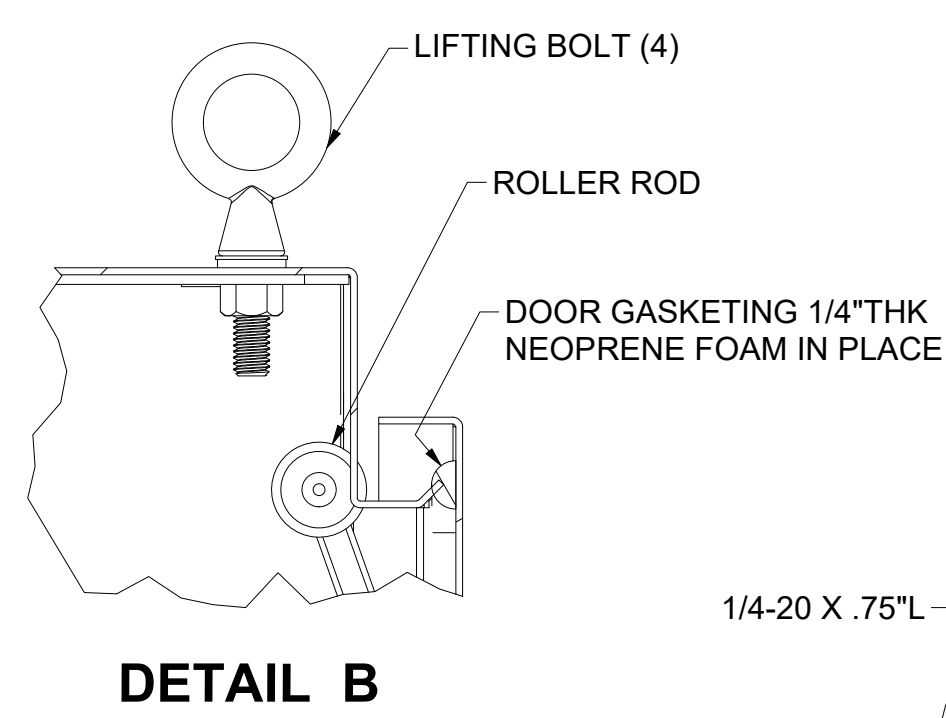
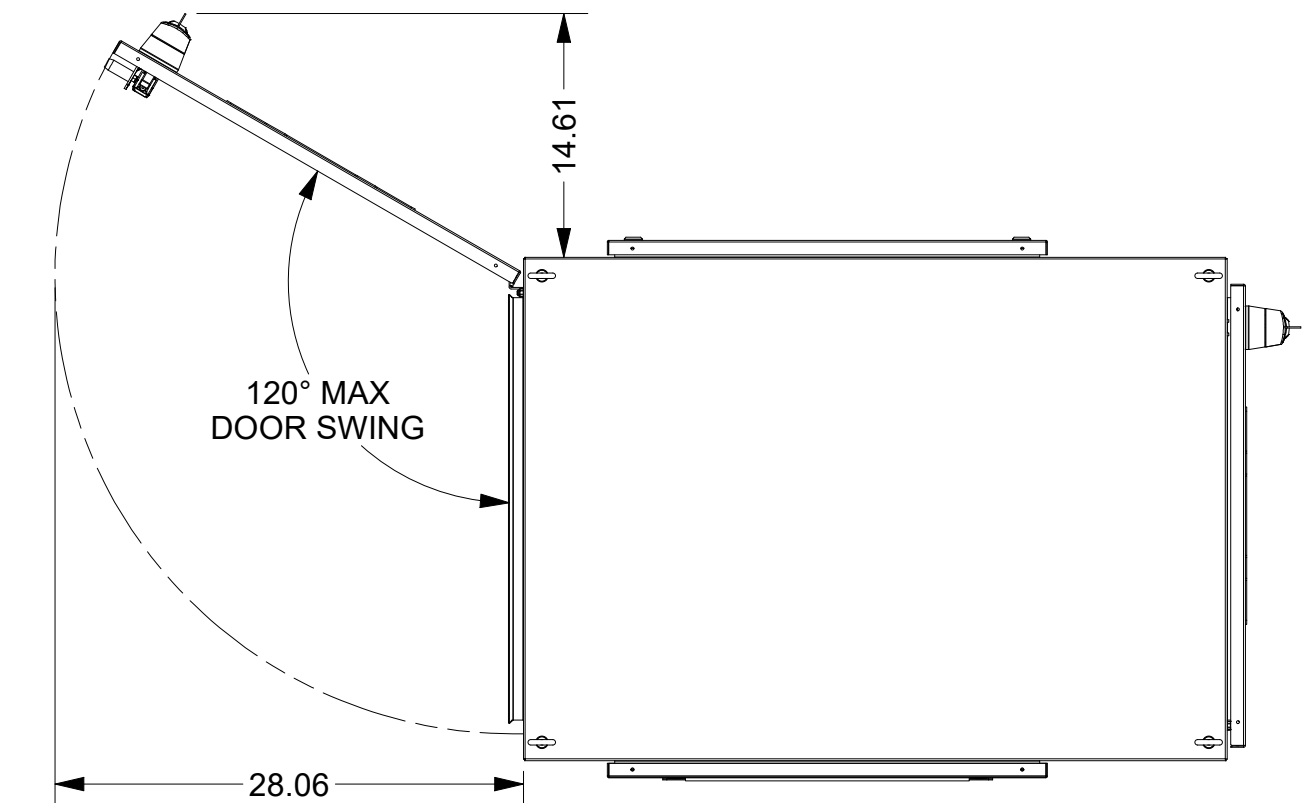
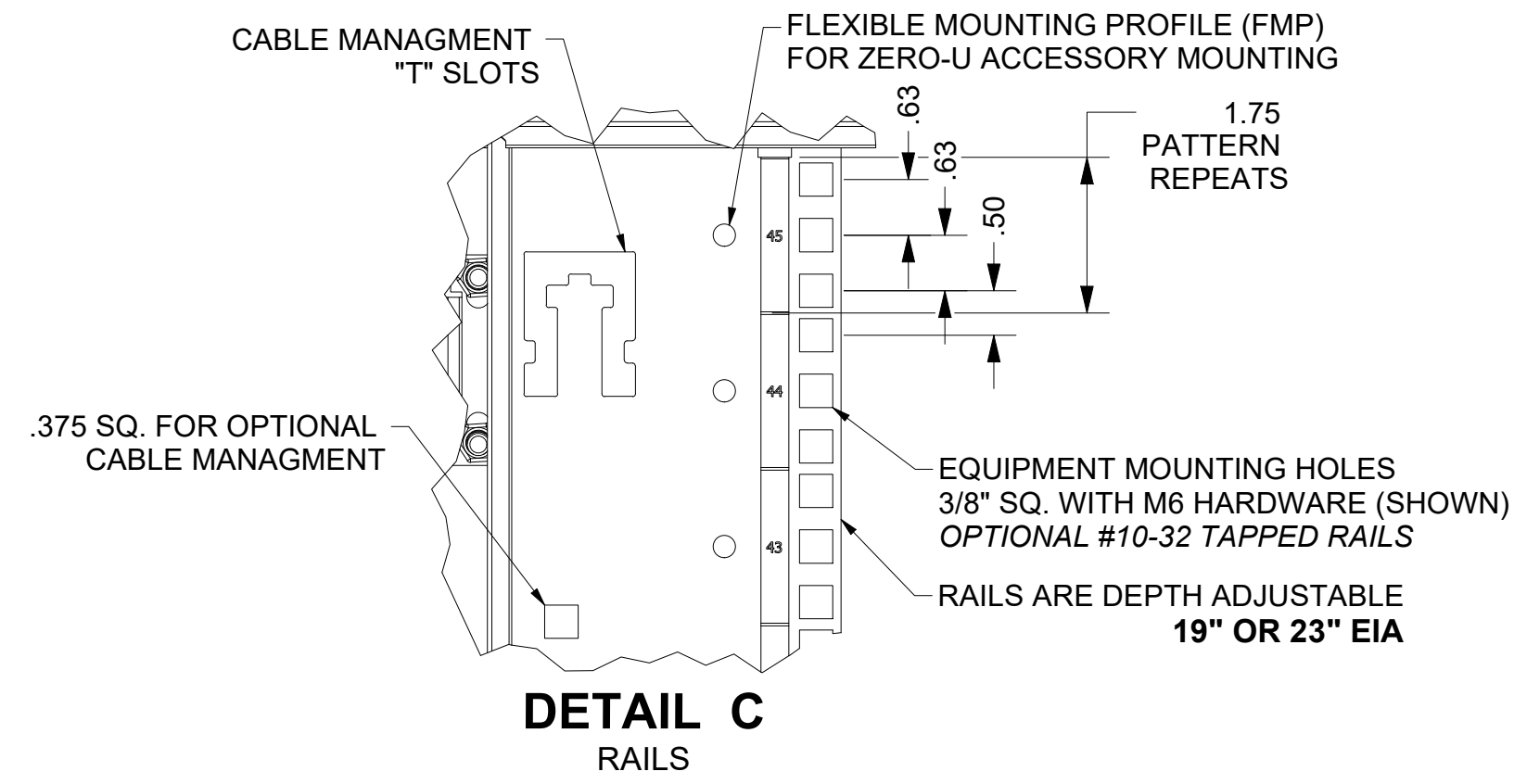


REVISION HISTORY			
REV	DESCRIPTION	DATE	APPROVED
0	ECO-08306	8/22/22	JHS



SPECIFICATIONS:
RACK SPACES: 19"-23" REVERSIBLE E 310-E COMPLIANT, 3/8" SQ. HOLES w/ RMU LABELS (OPTIONAL #10-32 TAPPED RAILS)
WEIGHT CAPACITY: 5000lbs (BOLTED TO FLOOR)
COLOR: DURABLE BLACK OR BEIGE TEXTURE POWDER COAT
RATING: NEMA 12
CONSTRUCTION: #11 GAUGE ANCHOR PLATES
#12 GAUGE MOUNTING RAILS
#14 GAUGE WELDED BODY, DOORS, & SIDES
HARDWARE: PACKAGE OF QTY-50 METRIC 6mm SCREWS & CAGE NUTS INCLUDED

EST. WEIGHT :
580lbs

INTERPRET DRAWING PER ASME Y14.5M-1994
DIMENSIONAL LIMITS APPLY AFTER APPLICATION OF FINISH
DRAWING NOT TO SCALE
TOLERANCE UNLESS OTHERWISE NOTED:
ANGULAR +/- 1°
.XXXX +/- .010
.XXX +/- .015
.XX +/- .030
.X FOR REF. ONLY
UNLESS OTHERWISE SPECIFIED ALL DIMENSIONS ARE IN INCHES

NOTICE:
Use of this document is subject to a confidentiality and nondisclosure agreement with Great Lakes Data Racks & Cabinets and may not be reproduced, disclosed or utilized in whole or in part without prior written authorization from Great Lakes.

PART NUMBER: GL840N12-3042	TITLE 84"H X 30"W X 42"D NEMA 12 CONFIGURATION DRAWING
MATERIAL TYPE: CRS	GREAT LAKES DATA RACKS & CABINETS P.O. BOX 551 EDINBORO, PA 16412 PHONE (814) 734-7303 FAX (814) 734-3907 E-MAIL info@greatcabinets.com
MATERIAL GAUGE: POWDER COATED	
DRAWN JoshS	DATE 8/22/2022
CHECKED & APP. DATE	DWG NO. GL840N12-3042
REV 0	SHEET: 1 OF 1