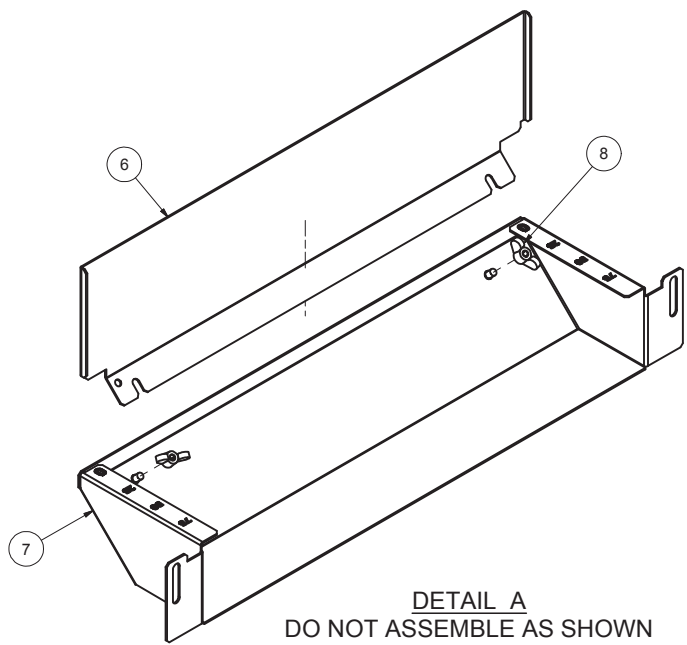
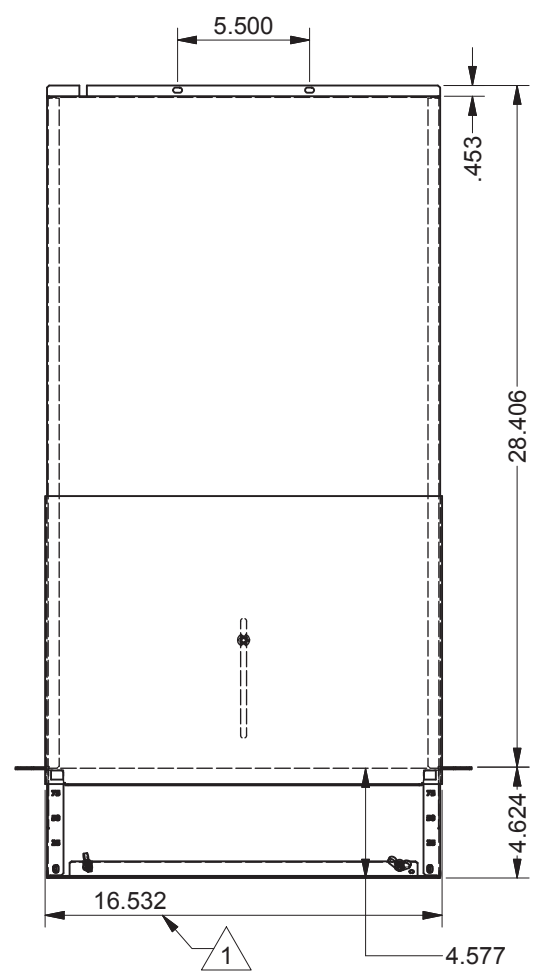
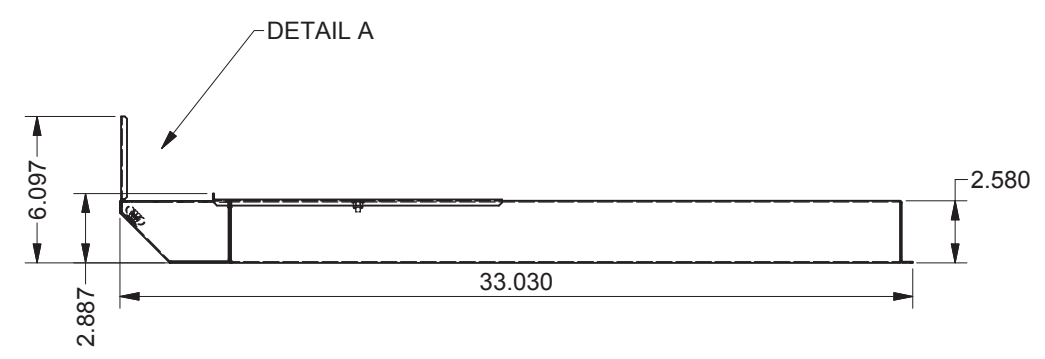
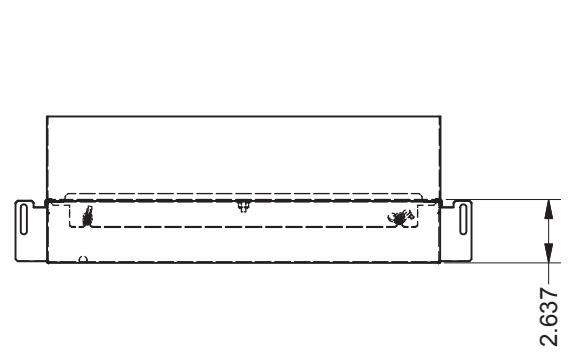
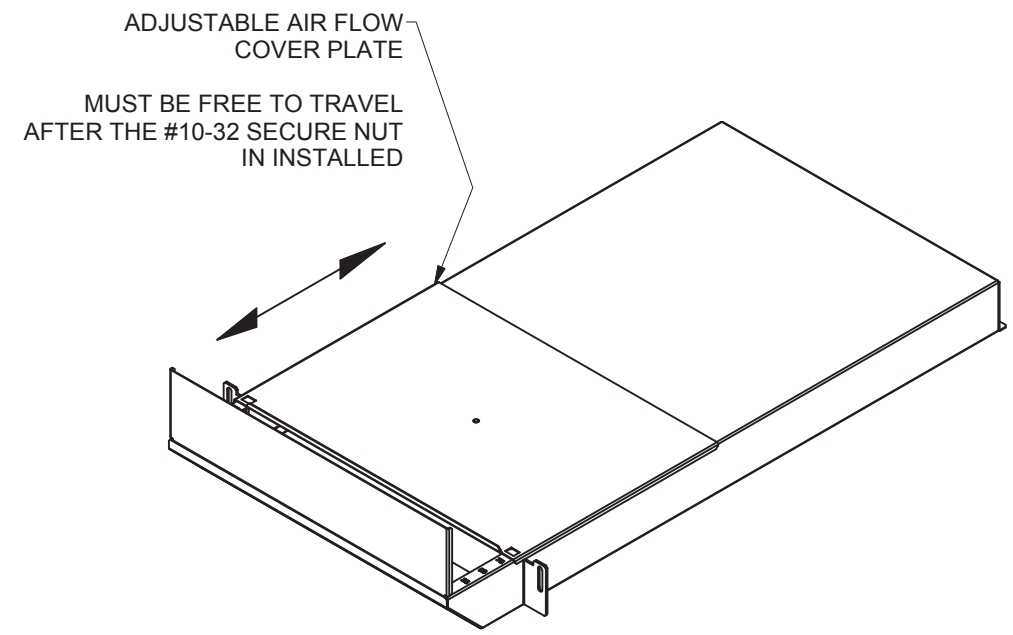
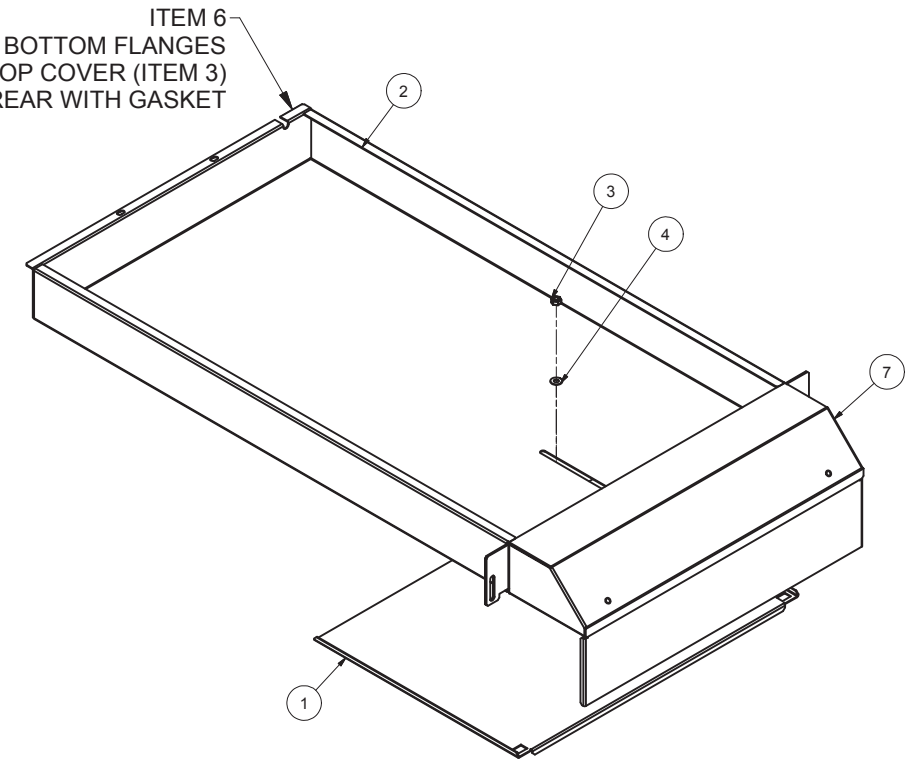


REVISION HISTORY			
REV	DESCRIPTION	DATE	APPROVED
0	ECO-02262	5/2/2008	WSS
1	ECO-02386	9/19/08	CD
2	ECO-02494	2/24/09	CD

Bill of Material						
ITEM	PART NUMBER	STOCK NU	QTY	DESCRIPTION	FILE NAME	REVISION
1			1	BOTTOM AIR DIVERTER, ADJUSTMENT PLATE DETAIL.	I005365.iam	2
2			1	BOTTOM AIR DIVERTER, TOP COVER DETAIL	I005363.ipt	2
3	10-32STOPNUT		1	10-32 ELASTIC STOP NUT, 2Z3687	10-32STOPNUT.ipt	-
4	10ZNWSHR		1	#10 ZINC PLATED WASHER	10ZNWSHR.ipt	-
5	0.500 x 0.0625		6'	1/16" x 1/2" NEOPRENE GASKET WITH PSA		
6			1	BOTTOM AIR DIVERTER, VERTICAL AIR GUIDE	I007935.ipt	0
7			1	BOTTOM AIR DIVERTER, FRONT DEFLECTOR PLATE DETAIL	I005364.iam	3
8	10/32WING		2	#10-32 WING NUT 2Z36616	10-32WING.ipt	-



PLACE GASKET 0.500 x 0.0625 ON ALL BOTTOM FLANGES  
 PLACE GASKET ONLY ON TOP COVER (ITEM 3)  
 DO NOT COVER NOTCHE ON REAR WITH GASKET



THRID ANGLE PROJECTION

INTERPRET DRAWING PER ASME Y14.5M-1994  
 DIMENSIONAL LIMITS APPLY AFTER APPLICATION OF FINISH  
 DRAWING NOT TO SCALE  
 TOLERANCE UNLESS OTHERWISE NOTED:  
 ANGULAR +/- .1  
 .XXXX +/- .010  
 .XXX +/- .015  
 .XX +/- .030  
 .X FOR REF. ONLY  
 UNLESS OTHERWISE SPECIFIED ALL DIMENSIONS ARE IN INCHES

**NOTICE:**  
 Use of this document is subject to a confidentiality and nondisclosure agreement with Great Lakes Case & Cabinet Co., Inc. (GLCC) and may not be reproduced, disclosed or utilized in whole or in part without prior written authorization from GLCC.

PART NUMBER:	AMES
QTY PER UNIT:	1
MATERIAL TYPE:	C.R.S.
MATERIAL GAUGE:	#18 GA.
FINISH:	POWDER COAT
DRAWN:	WSS 5/2/08
CHECKED:	JL 5/2/08

TITLE		AIR DIVERTER ASSEMBLY, 19" EIA, FOR 78"H & 84"H "ES" SERVER ENCLOSURES	
DRAWN BY		WSS	
CHECKED BY		JL	
DWG NO:		I006972	
REV		2	
SHEET		1 OF 1	

**Great Lakes Case & Cabinet Co., Inc.**  
 P.O. BOX 551 EDINBORO, PA 16412  
 PHONE (814) 734-7303 FAX (814) 734-3907 E-MAIL: glcc@greatcabinets.com