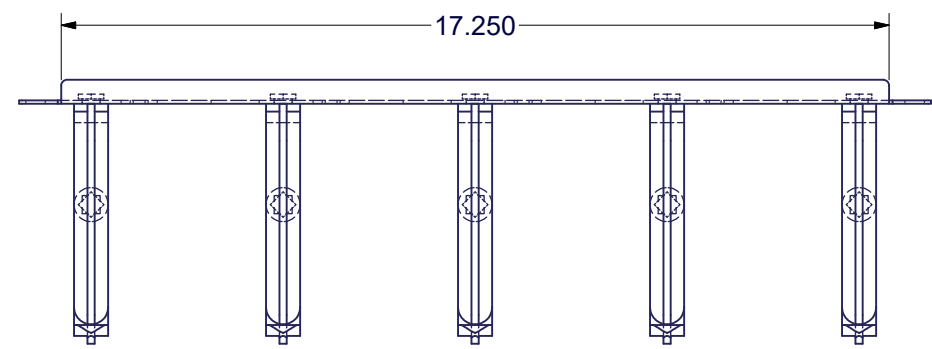
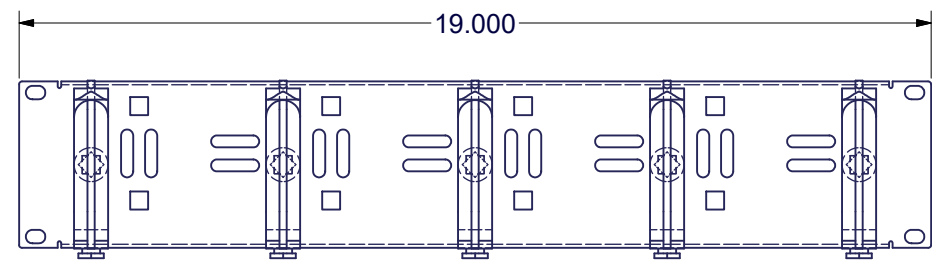


REVISION HISTORY			
REV	DESCRIPTION	DATE	APPROVED
0	ECO-06340	10/7/2014	FED
3	ECO-07599	3/29/18	CND
4	ECO-07670	7/11/19	CND

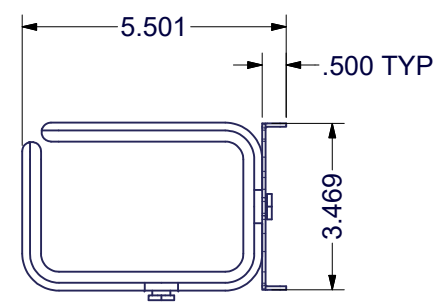
REV.2 I015181



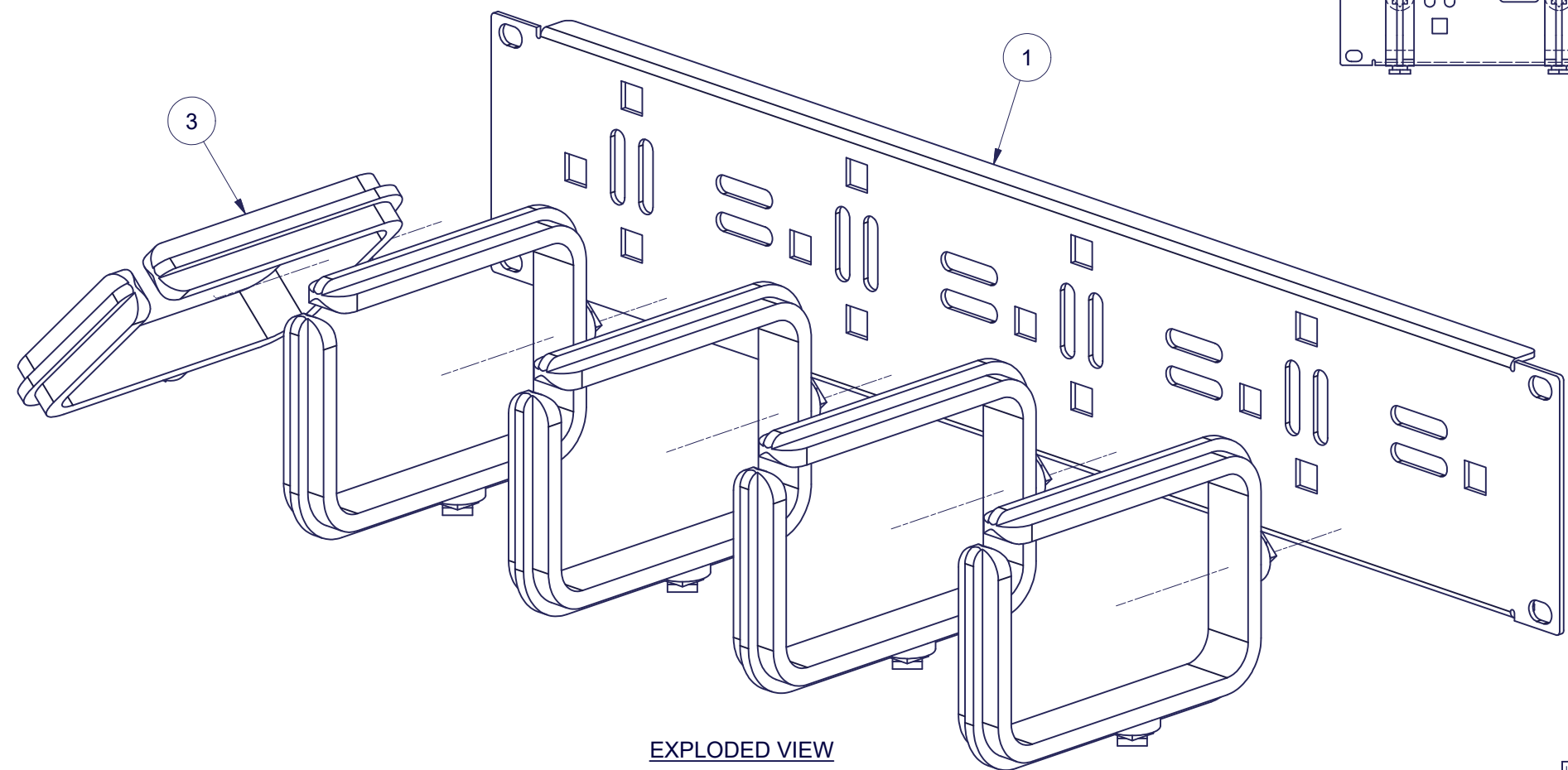
TOP VIEW



FRONT VIEW



END VIEW



EXPLODED VIEW

SPECIAL NOTE:

- 1) REFER TO PURCHASE ORDER - SPECIAL REQUIREMENTS MAY APPLY!
- 2) DO NOT ASSEMBLE, SHIP AS KIT OF PARTS

3 ONLY PART NUMBERS AND DESCRIPTION CHANGE

EST. WEIGHT :
N/A



INTERPRET DRAWING PER ASME Y14.5M-1994
DIMENSIONAL LIMITS APPLY
AFTER APPLICATION OF FINISH
DRAWING NOT TO SCALE
TOLERANCE UNLESS OTHERWISE NOTED:
ANGULAR +/- 1°
.XXXX +/- .010
.XXX +/- .015
.XX +/- .030
.X FOR REF. ONLY
UNLESS OTHERWISE SPECIFIED
ALL DIMENSIONS ARE IN INCHES

NOTICE:
Use of this document is subject to a confidentiality and nondisclosure agreement with Great Lakes Case & Cabinet Co., Inc. (GLCC) and may not be reproduced, disclosed or utilized in whole or in part without prior written authorization from GLCC.

PART NUMBER: CM04X200
QTY PER UNIT: 1
MATERIAL TYPE: CRS
MATERIAL GAUGE:
FINISH: POWDERCOATED
DRAWN: 10/7/2014
FED: 10/7/2014
CHECKED & APP. DATE: 10/7/2014
WSS

TITLE: 2 RMU x 19" EIA CABLE MANAGER WITH (5) PLASTIC CABLE RINGS
GREAT LAKES CASE & CABINET CO., INC.
P.O. BOX 551 EDINBORO, PA 16412
PHONE (814) 734-7303 FAX (814) 734-3907
E-MAIL glcc@greatcabinets.com
DWG NO: I022498
REV: 4
SHEET: 1 OF 1