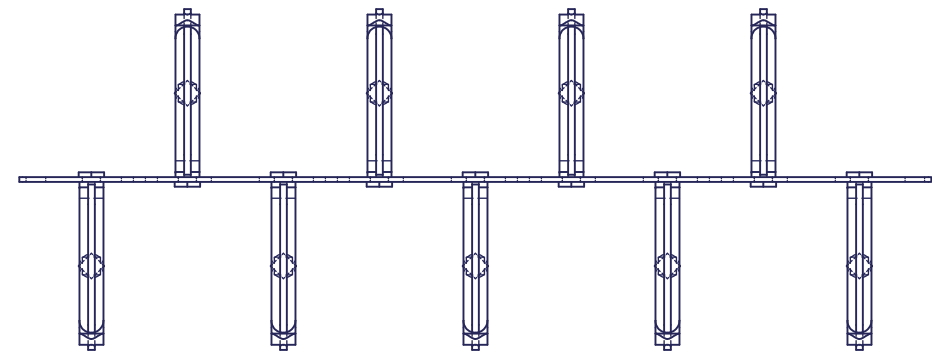


REVISION HISTORY			
REV	DESCRIPTION	DATE	APPROVED
0	ECO-06340	10/6/2014	FED
4	ECO-07599	3/29/19	CND
5	ECO-07670	7/11/19	CND

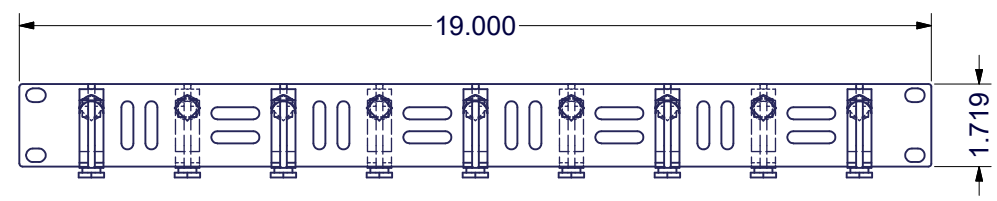
REV.3 I011587

Bill of Material					FILE NAME	Rev
ITEM	PART NUMBER	STOCK #	QTY	DESCRIPTION		
1	CM0509X100		1	1 RMU x 19" EIA, CABLE MANAGER, VENDOR LEVEL	I022495.ipt	1
3	VP-143		9	1/4 TURN D-RING CABLE MANAGER, SMALL VERSION - SIEMON VP-143	VP-143.ipt	

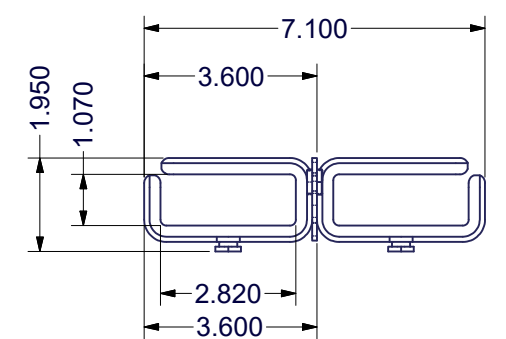
HARDWARE REMOVED



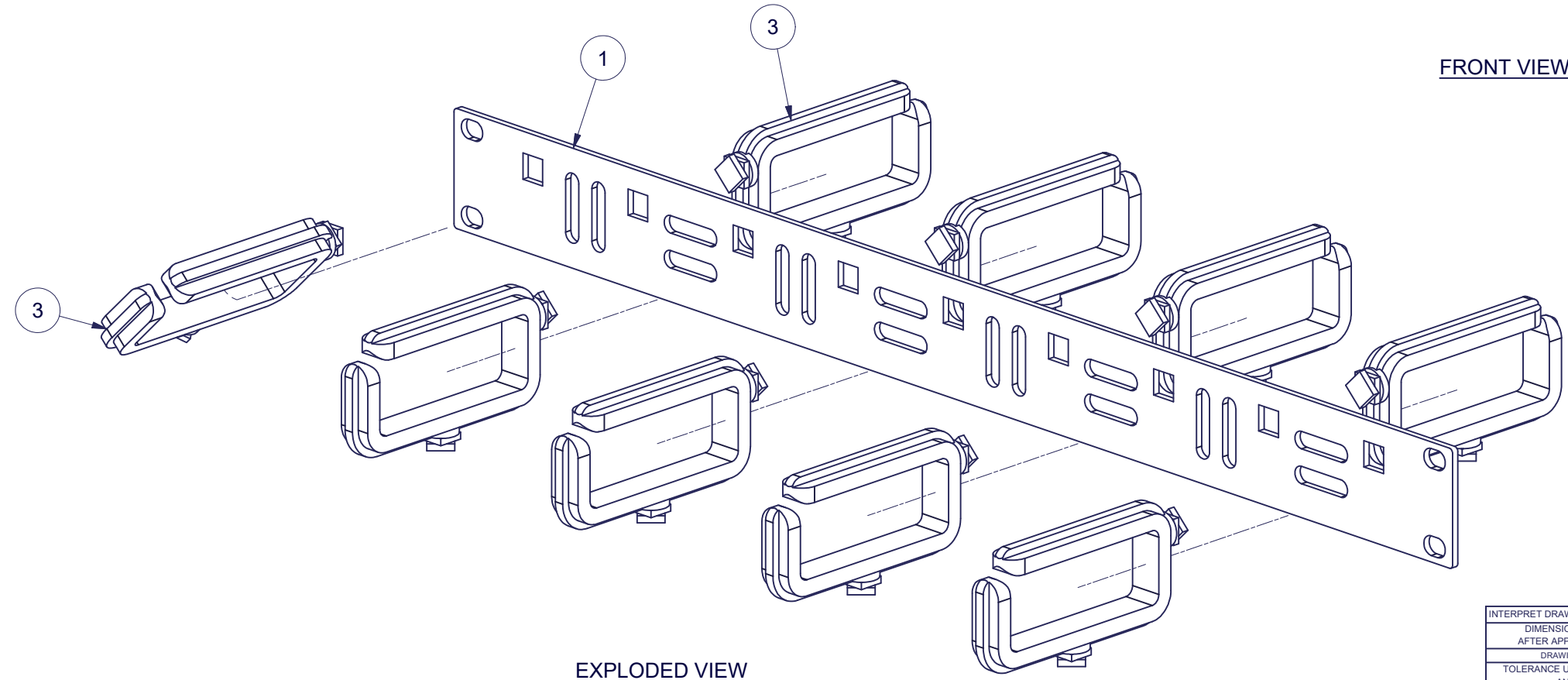
TOP VIEW



FRONT VIEW



END VIEW



EXPLODED VIEW

SPECIAL NOTE:

- 1) REFER TO PURCHASE ORDER - SPECIAL REQUIREMENTS MAY APPLY!
- 2) DO NOT ASSEMBLE. SHIP AS KIT OF PARTS.

NOTICE:

Use of this document is subject to a confidentiality and nondisclosure agreement with Great Lakes Case & Cabinet Co., Inc. (GLCC) and may not be reproduced, disclosed or utilized in whole or in part without prior written authorization from GLCC.

INTERPRET DRAWING PER ASME Y14.5M-1994
DIMENSIONAL LIMITS APPLY AFTER APPLICATION OF FINISH
DRAWING NOT TO SCALE
TOLERANCE UNLESS OTHERWISE NOTED:
ANGULAR +/- .1°
.XXXX +/- .010
.XXX +/- .015
.XX +/- .030
.X FOR REF. ONLY
UNLESS OTHERWISE SPECIFIED ALL DIMENSIONS ARE IN INCHES

EST. WEIGHT :	N/A
THIRD ANGLE PROJECTION	

PART NUMBER:	CM09X200
QTY PER UNIT:	1
MATERIAL TYPE:	CRS
MATERIAL GAUGE:	
FINISH:	POWDERCOATED
DRAWN DATE:	FED 3/29/2019
CHECKED & APP. DATE:	WSS 10/6/2014

TITLE	1 RMU x 19" EIA FRONT AND REAR CABLE MANAGER WITH (9) PLASTIC CABLE RINGS
GREAT LAKES CASE & CABINET CO., INC.	
P.O. BOX 551 EDINBORO, PA 16412	
PHONE (814) 734-7303 FAX (814) 734-3907	
E-MAIL glcc@greatcabinets.com	
DWG NO:	I030716
REV	5
SHEET:	1 OF 1