



VCMP Vertical Cable Managers

User's Manual



Instructions apply to the following Great Lakes products:
VCMP-45U-0606FO-B, VCMP-45U-0606FR-B, VCMP-45U-1006FO-B,
VCMP-45U-1006FR-B, VCMP-45U-1206FO-B, VCMP-45U-1206FR-B

GreatCabinets.com

1-866-879-4522

Double-sided

Single-sided

3 widths available

6 in. 152 mm 10in. 254 mm 12 in. 305 mm

Divider plates

VCMP compatible with Great Lakes 2 and 4 Post Racks (Double-Sided 6 in. version shown throughout)

Manager fingers X 4

Doors X 2 each side

Divider Plate with keyhole pattern for PDU Mounting X 4

Parts:

- 4 – Manager fingers (double or single-sided based on part number ordered)
- 4 – Doors (double-sided ver.)
- 12 – 3/8"-16x1" bolts
- 12 – 3/8" Hex nuts
- 12 – lock washers
- 12 – flat washers

Tools:

- 9/16" socket wrench
- Small flat screwdriver

Parts

1

THIS END UP

2

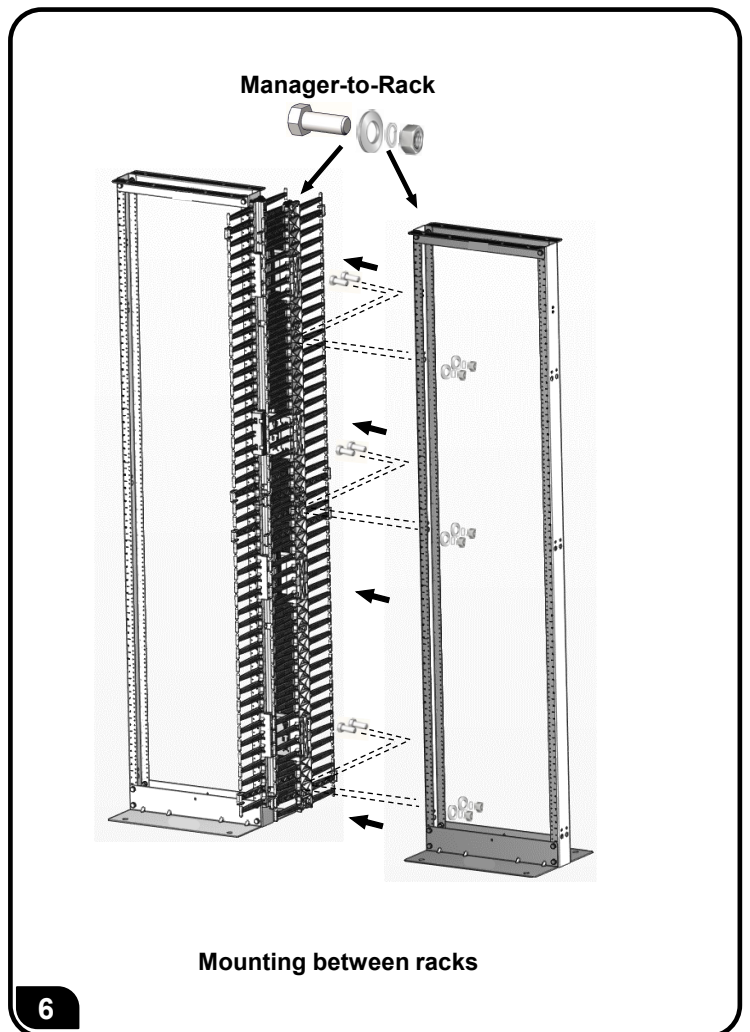
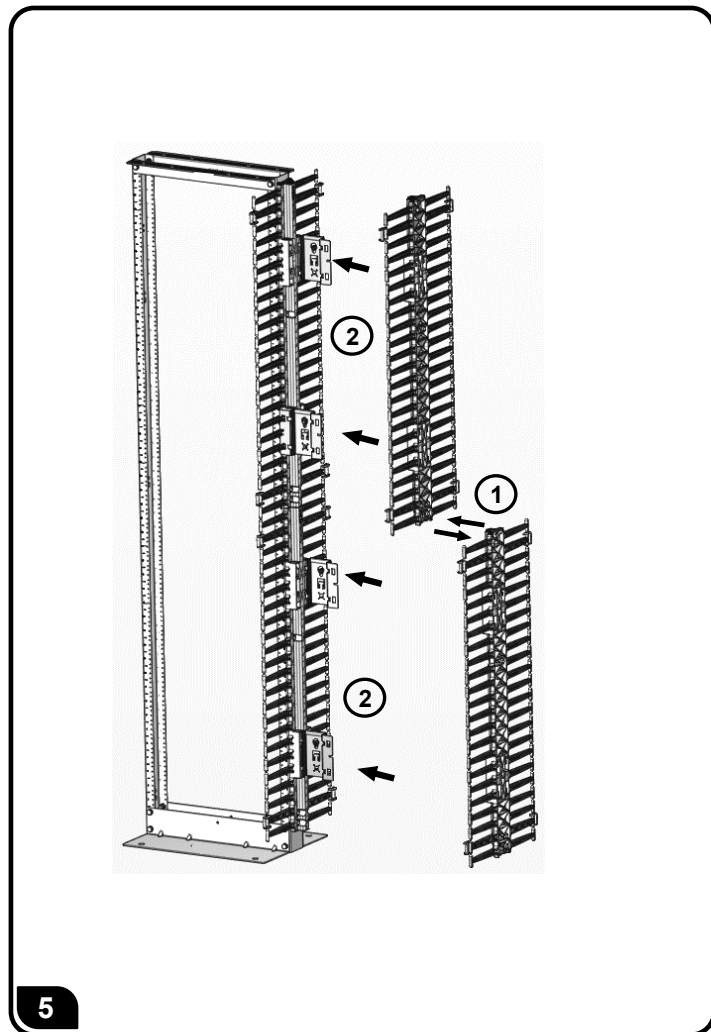
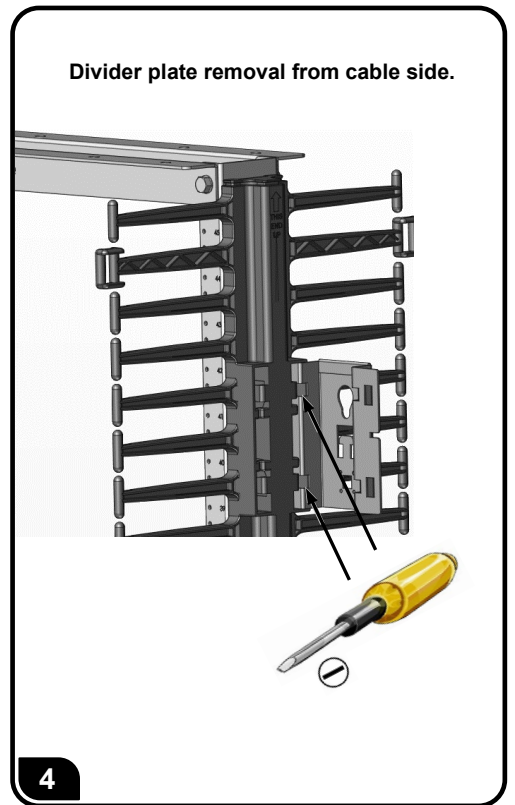
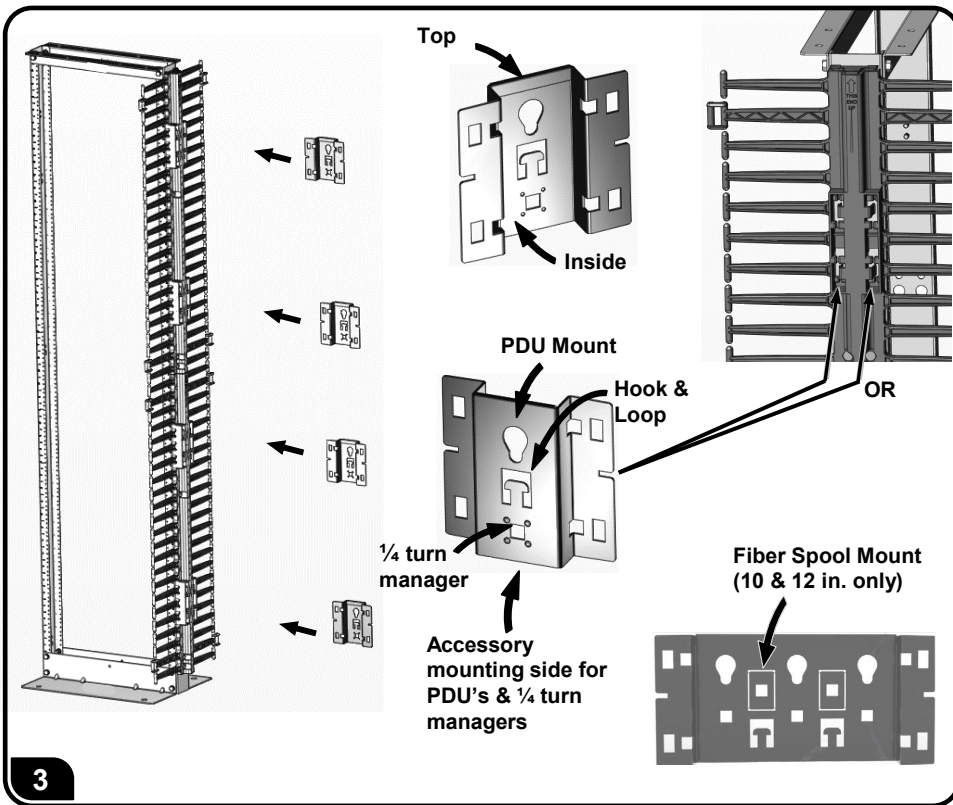
Use 1/2" holes

Same holes for 2 & 4 Post Racks

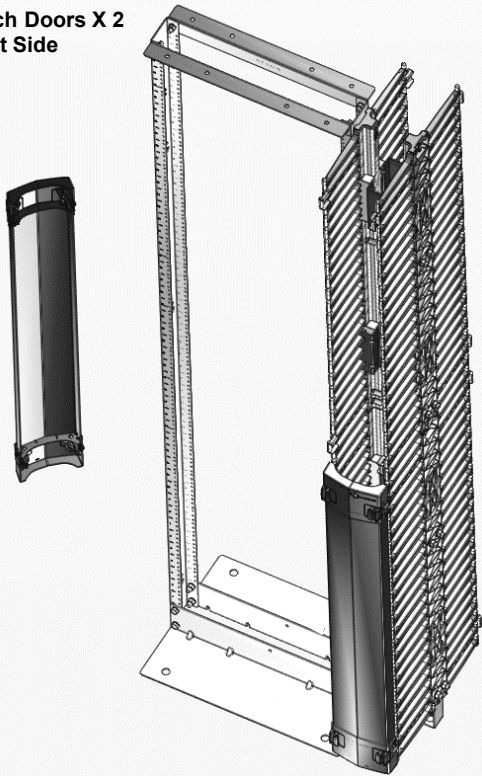
1 9/16" socket wrench

2

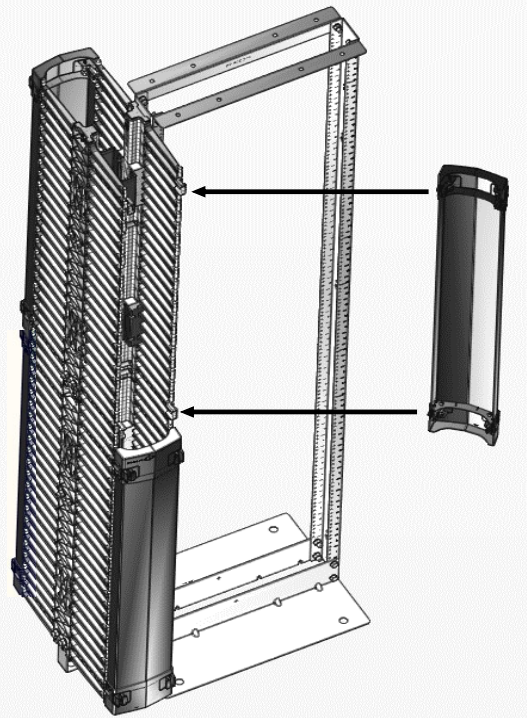
3



Attach Doors X 2
Front Side



Attach Doors X 2
Rear



VCMP-1006-FR-B pictured

