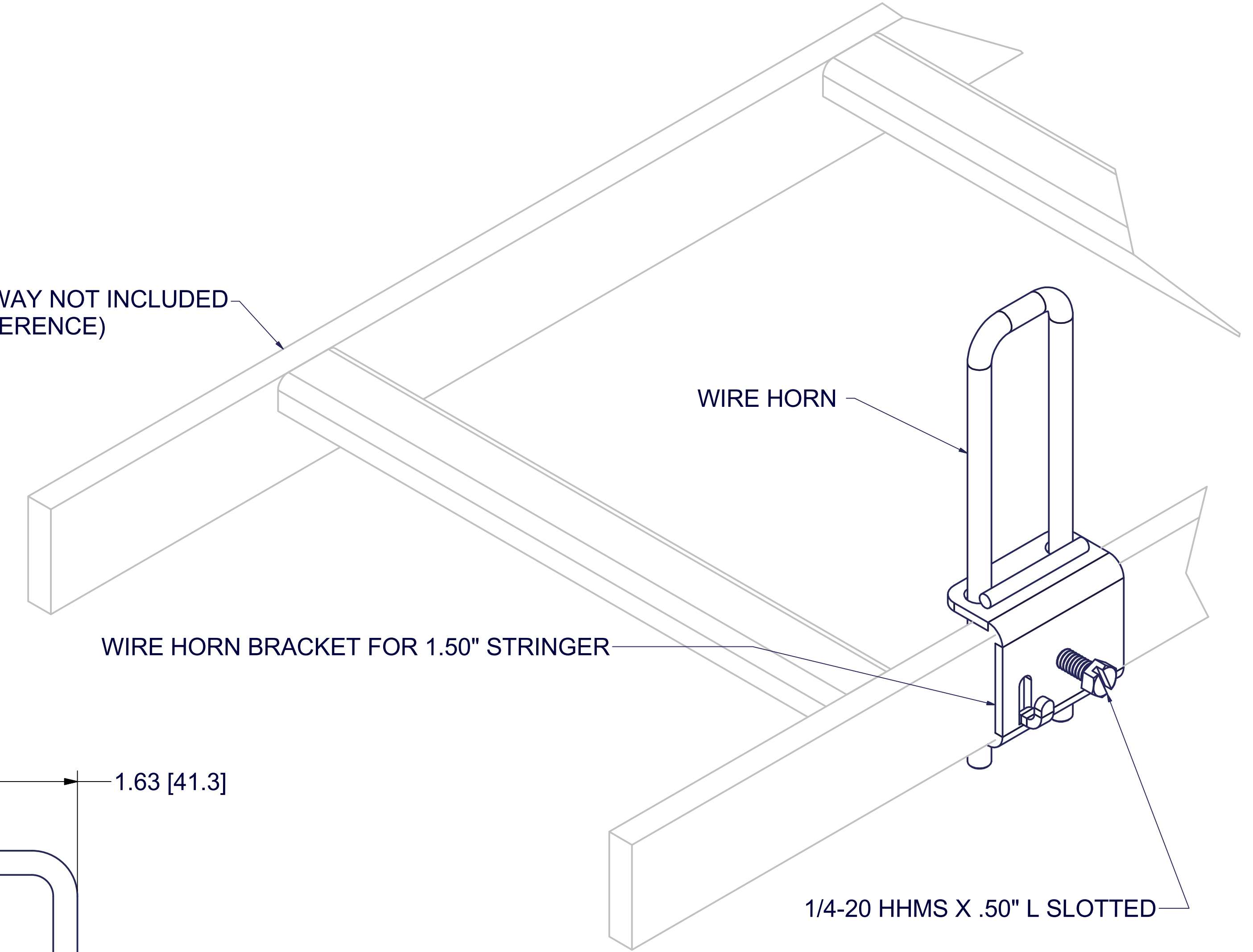


REVISION HISTORY			
REV	DESCRIPTION	DATE	APPROVED
0	ECO-08001	10/28/2020	HM

(1.5") CABLE RUNWAY NOT INCLUDED  
(SHOWN FOR REFERENCE)

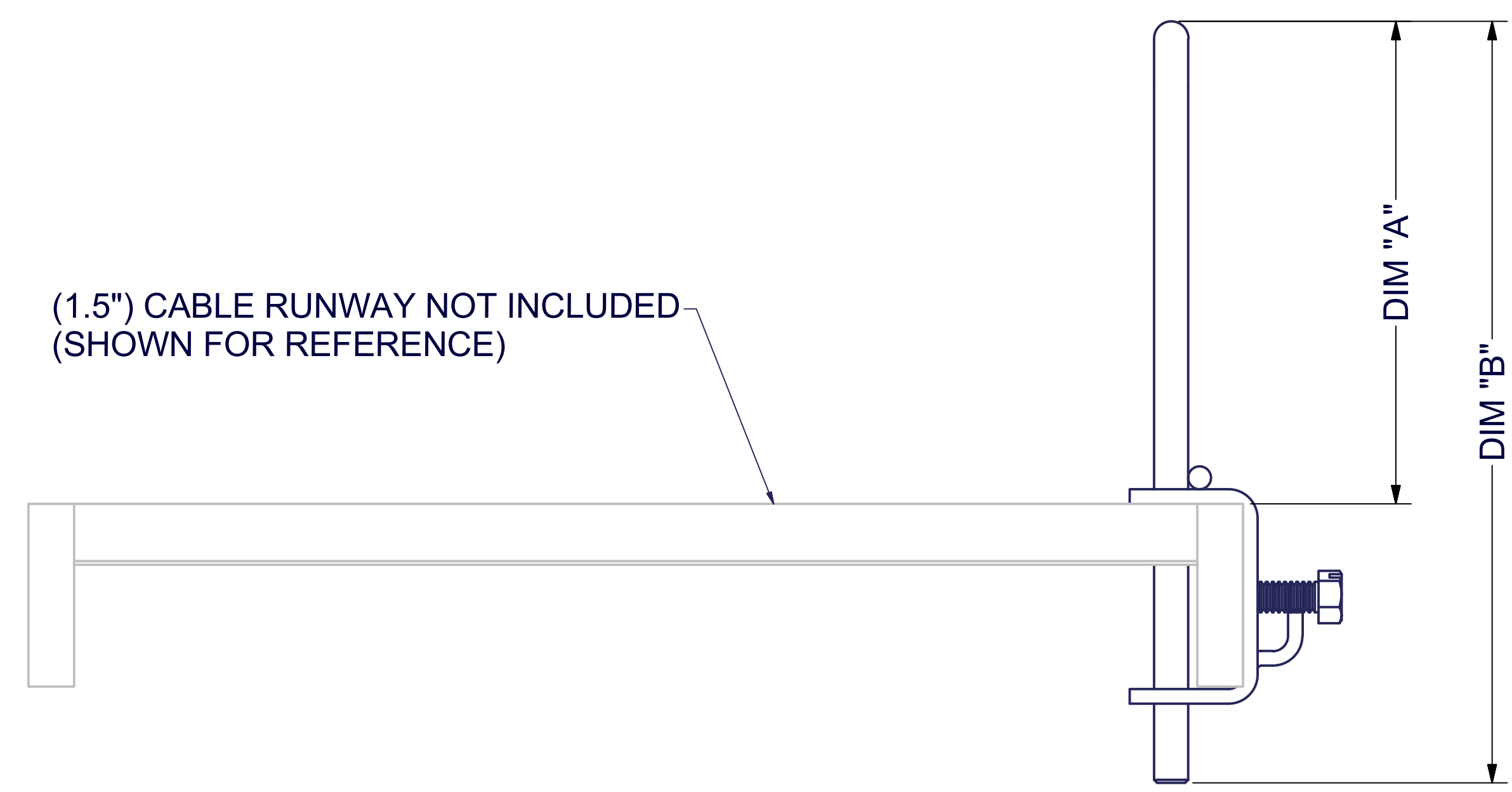


WIRE HORN

WIRE HORN BRACKET FOR 1.50" STRINGER

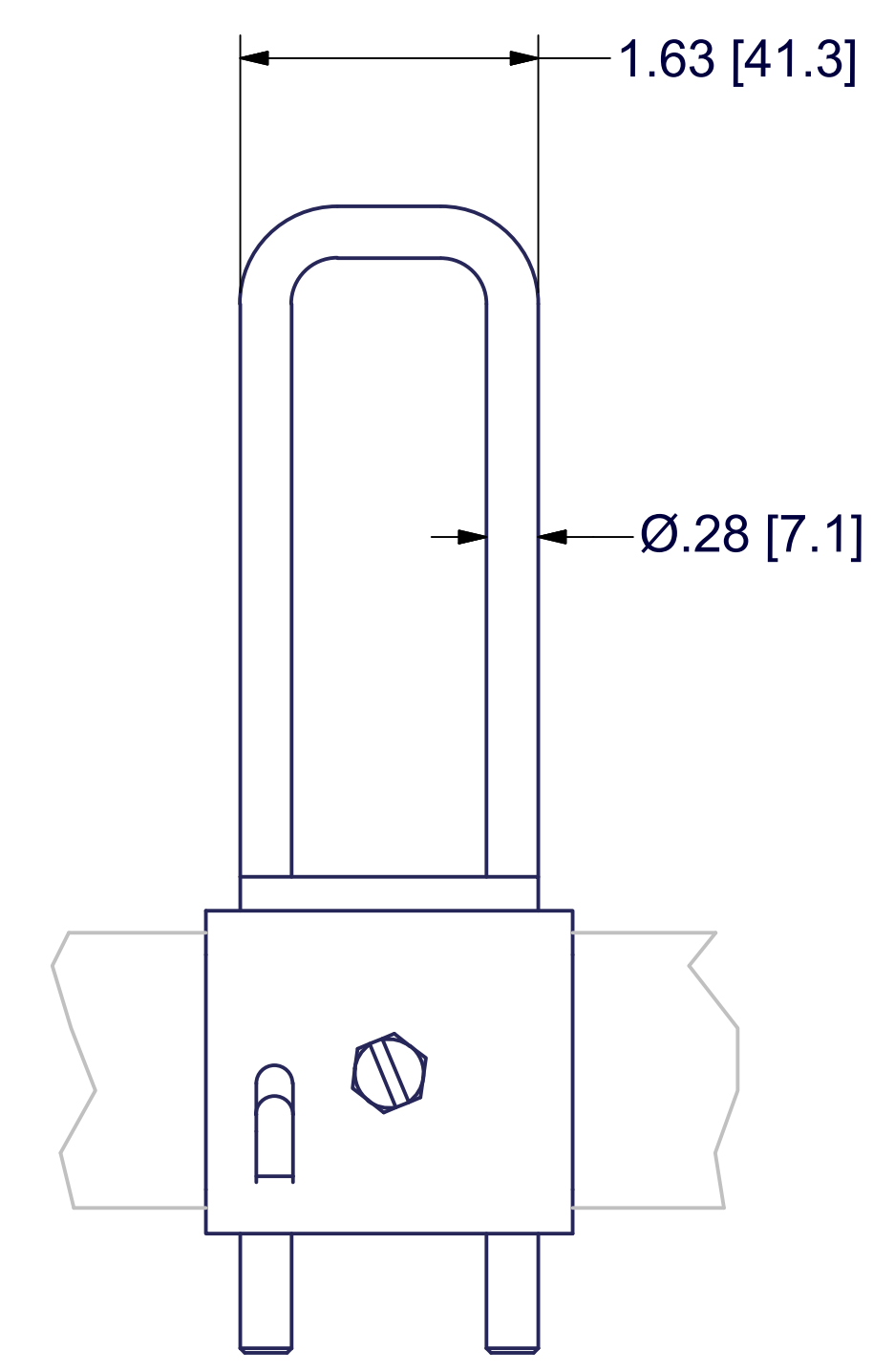
1/4-20 HHMS X .50" L SLOTTED

(1.5") CABLE RUNWAY NOT INCLUDED  
(SHOWN FOR REFERENCE)



DIM "A"

DIM "B"



1.63 [41.3]

Ø.28 [7.1]

PART NUMBER	DESCRIPTION	DIM "A"	DIM "B"
GL-CR-CRP4	CABLE RETAINING POST, 4"[101.6mm], BLACK	4.00"[101.6mm]	6.25"[159mm]
GL-CR-CRP8	CABLE RETAINING POST, 8"[201.2mm], BLACK	8.00"[201.2mm]	10.25"[260mm]
GL-CR-CRP10	CABLE RETAINING POST, 12"[304.8mm], BLACK	12.00"[304.8mm]	14.25"[361.95mm]

EST. WEIGHT :  
N/A

THIRD ANGLE  
PROJECTION

INTERPRET DRAWING PER ASME Y14.5M-1994  
DIMENSIONAL LIMITS APPLY  
AFTER APPLICATION OF FINISH  
DRAWING NOT TO SCALE  
TOLERANCE UNLESS OTHERWISE NOTED:  
ANGULAR +/- .1"  
.XXXX +/- .010  
.XXX +/- .015  
.XX +/- .030  
.X FOR REF. ONLY  
UNLESS OTHERWISE SPECIFIED  
ALL DIMENSIONS ARE IN INCHES

**NOTICE:**  
Use of this document is subject to a confidentiality and nondisclosure agreement with Great Lakes Data Racks & Cabinets and may not be reproduced, disclosed or utilized in whole or in part without prior written authorization from Great Lakes.  
Product specification, price & availability are subject to change without prior notice.

PART NUMBER:  
**SEE CHART**  
MATERIAL TYPE:  
**STEEL**  
MATERIAL GAUGE:  
FINISH:  
**ZINC YELLOW**  
DRAWN:  
henrym  
CHECKED & APP.  
DATE:  
11/2/2020  
DATE:  
11/2/20

TITLE  
CABLE RETAINING POST, X", BLACK  
**GREAT LAKES DATA RACKS & CABINETS**  
P.O. BOX 551 EDINBORO, PA 16412  
PHONE (814) 734-7303 FAX (814) 734-3907  
E-MAIL info@greatcabinets.com  
DWG NO:  
**1032872**  
REV  
**0**  
SHEET: 1 OF 1