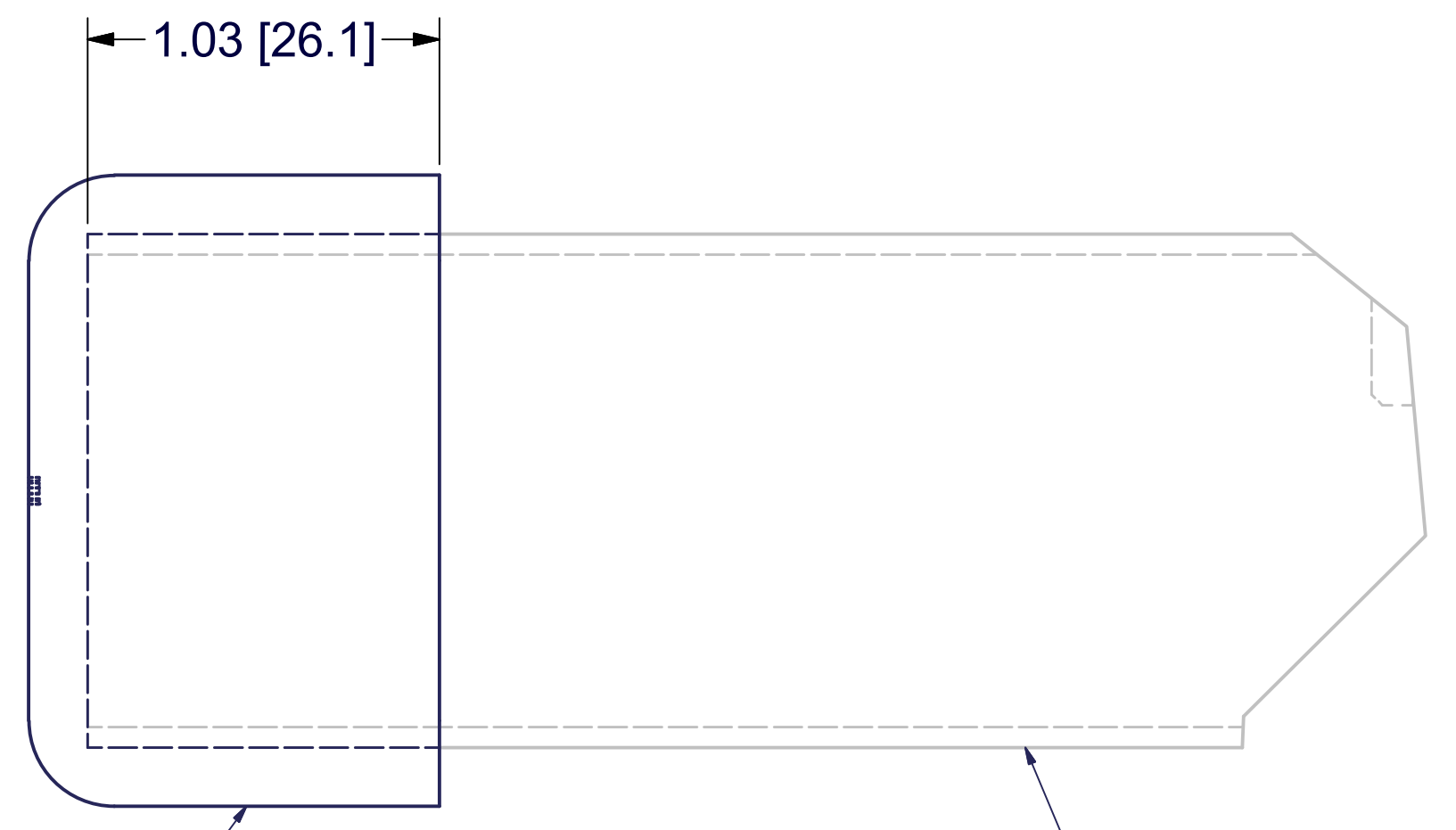
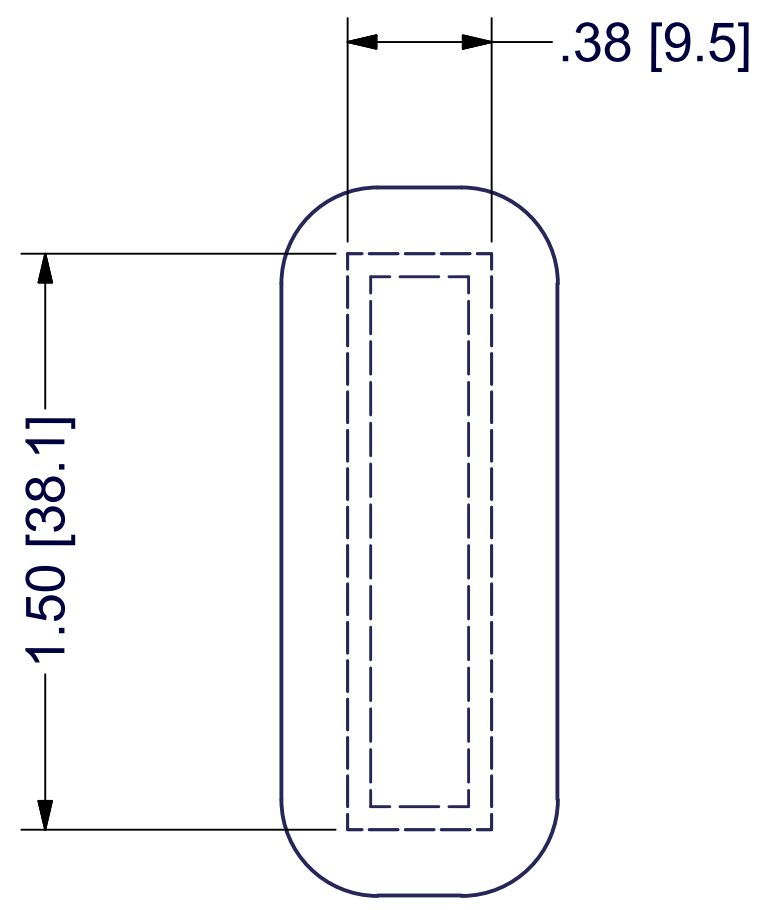


REVISION HISTORY			
REV	DESCRIPTION	DATE	APPROVED
0	ECO-08001	10/28/2020	HM



HD VINYL END CAP

HD VINYL END CAP (2)

(1.50"[3.5cm]) CABLE RACK NOT INCLUDED

(1.50"[3.5cm]) CABLE RACK NOT INCLUDED

TYPICAL INSTALLATION  
(EXPLODED VIEW)

**NOTE:** KIT CONSISTS OF (2) VINYL END CAPS

**SPECIFICATIONS:**

1. DIMENSIONS ARE IN INCHES[MM] UNLESS SPECIFIED OTHERWISE.

EST. WEIGHT :	N/A
	THIRD ANGLE PROJECTION

INTERPRET DRAWING PER ASME Y14.5M-1994
DIMENSIONAL LIMITS APPLY AFTER APPLICATION OF FINISH
DRAWING NOT TO SCALE
TOLERANCE UNLESS OTHERWISE NOTED:
ANGULAR +/- .1°
.XXXX +/- .010
.XXX +/- .015
.XX +/- .030
.X FOR REF. ONLY
UNLESS OTHERWISE SPECIFIED ALL DIMENSIONS ARE IN INCHES

**NOTICE:**  
Use of this document is subject to a confidentiality and nondisclosure agreement with Great Lakes Data Racks & Cabinets and may not be reproduced, disclosed or utilized in whole or in part without prior written authorization from Great Lakes.  
Product specification, price & availability are subject to change without prior notice.

PART NUMBER:	GL-CR-EC
MATERIAL TYPE:	STEEL
MATERIAL GAUGE:	
FINISH:	ZINC YELLOW
DRAWN	DATE
henrym	10/26/2020
CHECKED & APP.	DATE
CND	10/28/20

TITLE	VINYL END CAP FOR USE WITH UNIVERSAL CABLE RUNWAY	
	GREAT LAKES DATA RACKS & CABINETS P.O. BOX 551 EDINBORO, PA 16412 PHONE (814) 734-7303 FAX (814) 734-3907 E-MAIL info@greatcabinets.com	
DWG NO:	1032868	REV
		0
SHEET:	1 OF 1	