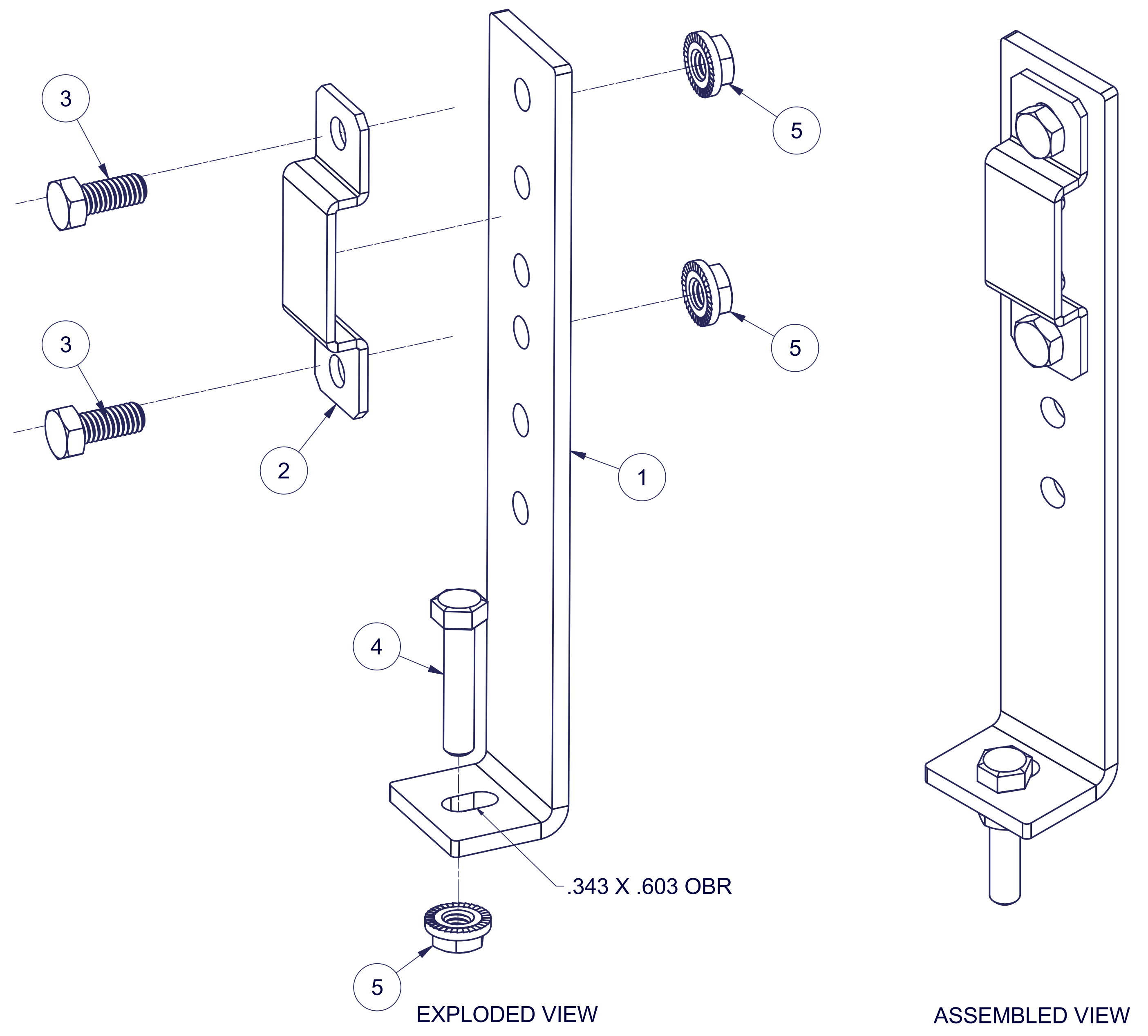
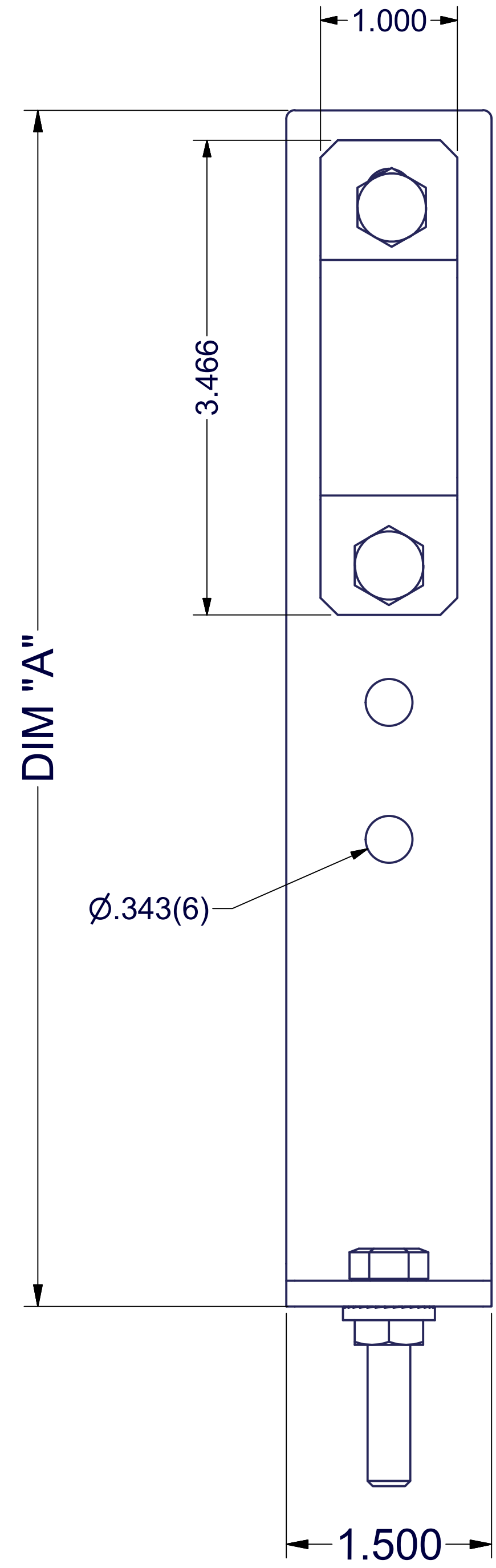
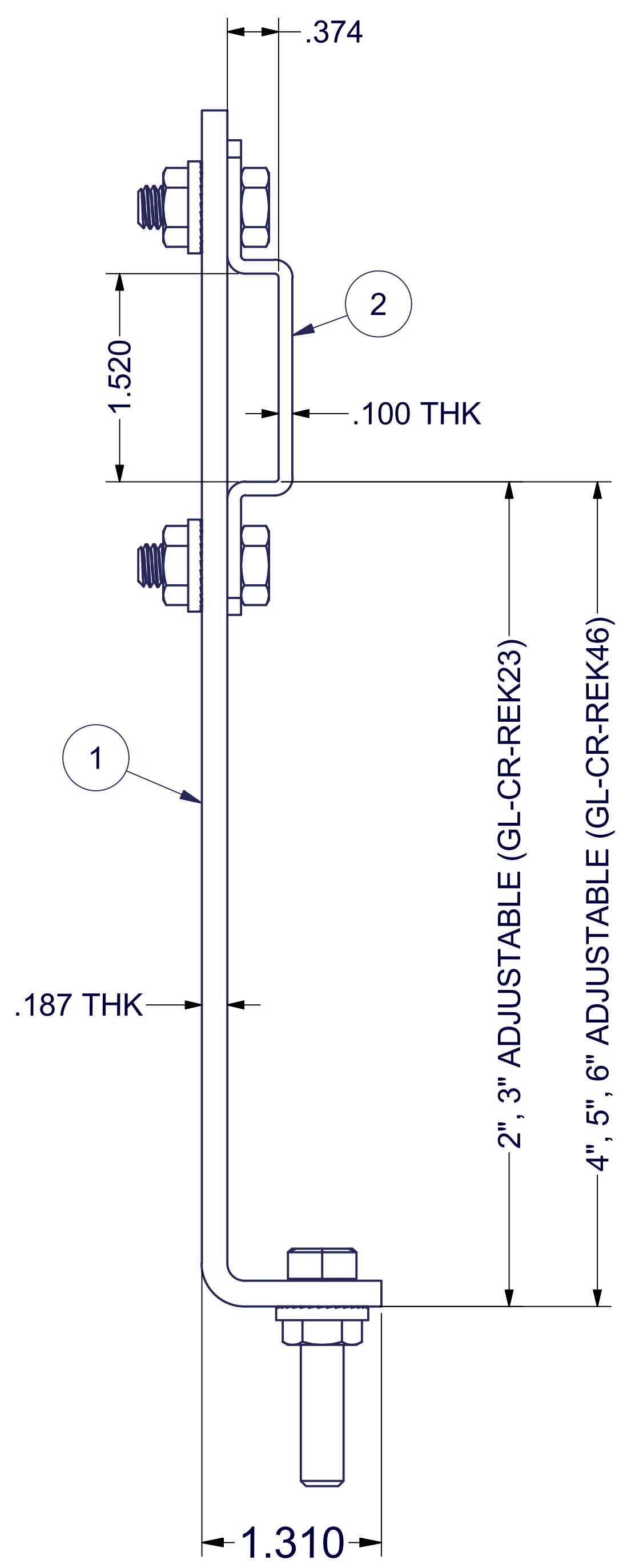


REVISION HISTORY			
REV	DESCRIPTION	DATE	APPROVED
0	ECO-08001	12/2/2020	HM

Bill of Material						
ITEM	PART NUMBER	STOCK #	QTY	DESCRIPTION	FILE NAME	Rev
1	SEE CHART		1	VERTICAL SUPPORT BRACKET, X"-X" ELEVATION KIT	SEE CHART	0
2	I032967		1	CLAMP BRACKET	I032967.ipt	0
3		H04-019	2	BOLT 5/16-18 X 3/4 HH RBZ	H04-019.ipt	-
4		H04-055	1	BOLT, 5/16"-18 X 1.5" HEX HEAD CAP SCREW, ZINC PLATED	312-18x1.50hexbolt.ipt	-
5		H02-123	3	NUT, 5/16" SERRATED-FLANGE NUT 316 SS	H02-123.ipt	0



**NOTE:** EA. KIT CONSISTS OF 2 BRACKET ASSEMBLIES AND HDWE.

PART NUMBER	DESCRIPTION	ITEM 1	DIM "A"
GL-CR-REK23	CABLE RUNWAY ELEVATION KIT, 2"-3", BLACK	I032966	5.734
GL-CR-REK46	CABLE RUNWAY ELEVATION KIT, 4"-6", BLACK	I032965	8.734

INTERPRET DRAWING PER ASME Y14.5M-1994 DIMENSIONAL LIMITS APPLY AFTER APPLICATION OF FINISH DRAWING NOT TO SCALE TOLERANCE UNLESS OTHERWISE NOTED: ANGULAR +/- 1' .XXXX +/- .010 .XXX +/- .015 .XX +/- .030 .X FOR REF. ONLY	<b>NOTICE:</b> Use of this document is subject to a confidentiality and nondisclosure agreement with Great Lakes Data Racks & Cabinets and may not be reproduced, disclosed or utilized in whole or in part without prior written authorization from Great Lakes.	PART NUMBER: <b>GL-CR-REKXX</b>	TITLE: <b>CABLE RUNWAY ELEVATION KIT X-X" ELEVATION, BLACK</b>
		MATERIAL TYPE: <b>CRS</b>	GREAT LAKES DATA RACKS & CABINETS P.O. BOX 551 EDINBORO, PA 16412 PHONE (814) 734-7303 FAX (814) 734-3907 E-MAIL info@greatcabinets.com
EST. WEIGHT: N/A	THIRD ANGLE PROJECTION	FINISH: <b>BLACK POWDER COAT</b>	DWG NO: <b>I032964</b>
UNLESS OTHERWISE SPECIFIED ALL DIMENSIONS ARE IN INCHES	DRAWN: JAL CHECKED & APP. DATE: 12/2/2020	REV: <b>0</b>	SHEET: 1 OF 1