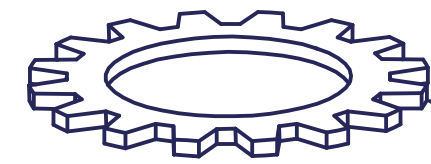
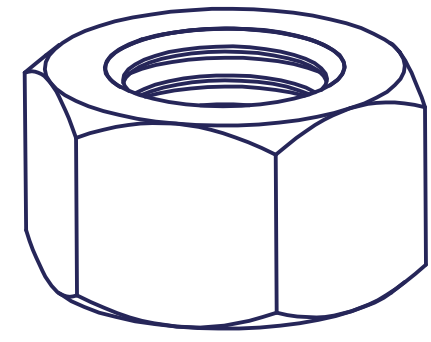
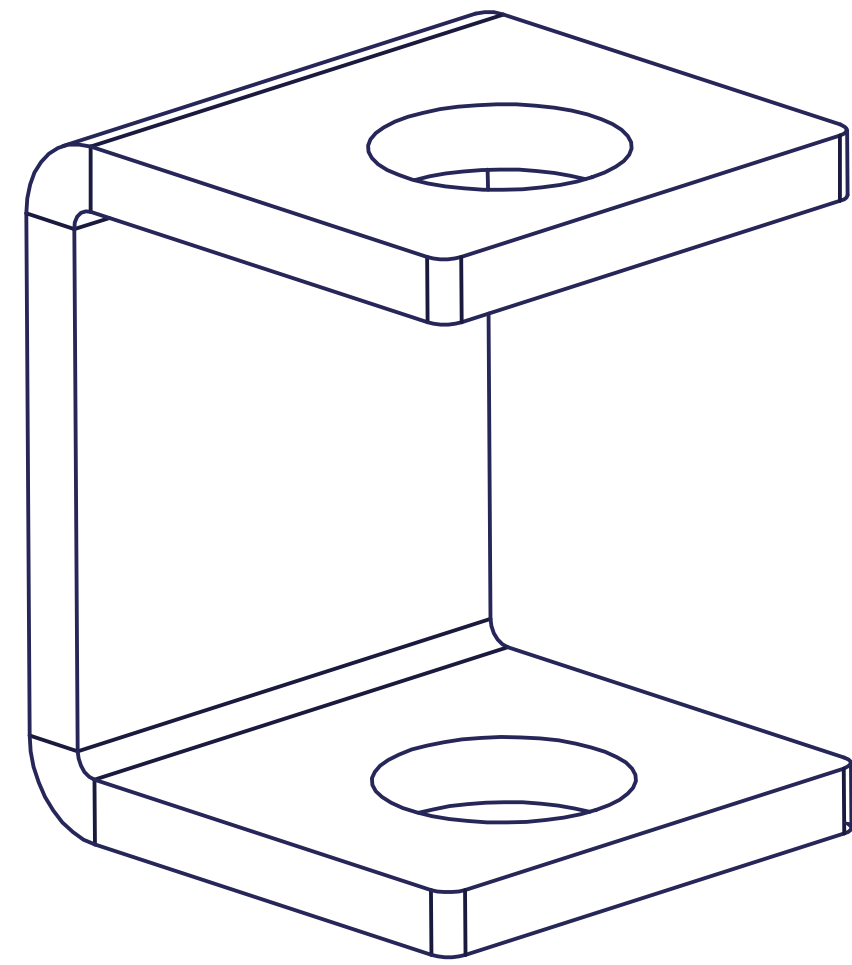


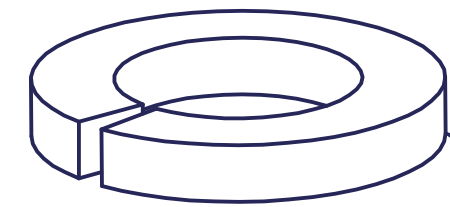
REVISION HISTORY			
REV	DESCRIPTION	DATE	APPROVED
0	ECO-08001	10/28/2020	HM



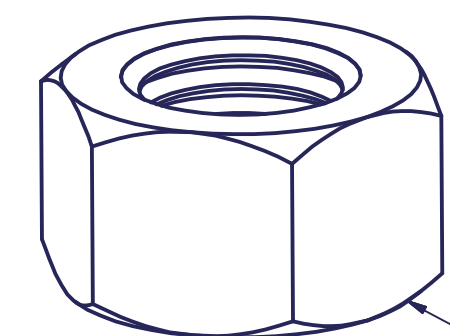
5/8" EXT. TOOTH LOCK WASHER, ZINC YELLOW (2)



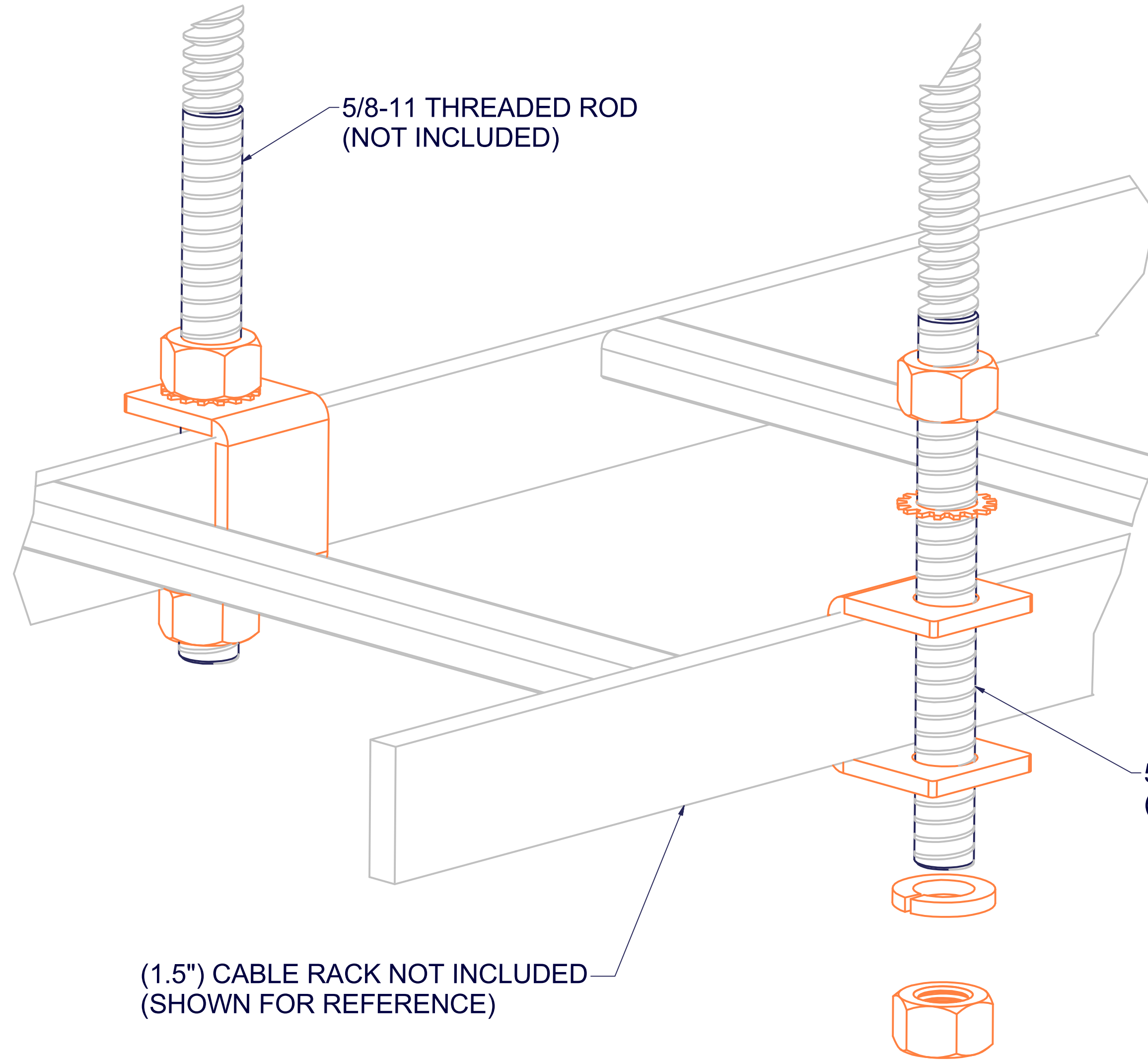
1.5" HANGING BRACKET (2)



5/8" SPRING LOCK WASHER, ZINC YELLOW (2)



5/8-11 HEX NUT, ZINC YELLOW (4)



(1.5") CABLE RACK NOT INCLUDED (SHOWN FOR REFERENCE)

INTERPRET DRAWING PER ASME Y14.5M-1994
DIMENSIONAL LIMITS APPLY AFTER APPLICATION OF FINISH
DRAWING NOT TO SCALE
TOLERANCE UNLESS OTHERWISE NOTED:
ANGULAR +/- .1
.XXXX +/- .010
.XXX +/- .015
.XX +/- .030
.X FOR REF. ONLY

**NOTICE:**  
Use of this document is subject to a confidentiality and nondisclosure agreement with Great Lakes Data Racks & Cabinets and may not be reproduced, disclosed or utilized in whole or in part without prior written authorization from Great Lakes.  
Product specification, price & availability are subject to change without prior notice.

PART NUMBER:	GL-CR-RSB58
MATERIAL TYPE:	STEEL
MATERIAL GAUGE:	
FINISH:	ZINC YELLOW
DRAWN:	henrym
CHECKED & APP.:	CND
DATE:	10/27/2020
DATE:	10/28/20

TITLE: RUNWAY SUPPORT BRACKET, ACCEPTS 5/8" ROD  
GREAT LAKES DATA RACKS & CABINETS  
P.O. BOX 551 EDINBORO, PA 16412  
PHONE (814) 734-7303 FAX (814) 734-3907  
E-MAIL info@greatcabinets.com

EST. WEIGHT:	N/A
THIRD ANGLE PROJECTION	

UNLESS OTHERWISE SPECIFIED ALL DIMENSIONS ARE IN INCHES

DWG NO:	1032875	REV	0	SHEET: 1 OF 1
---------	---------	-----	---	---------------