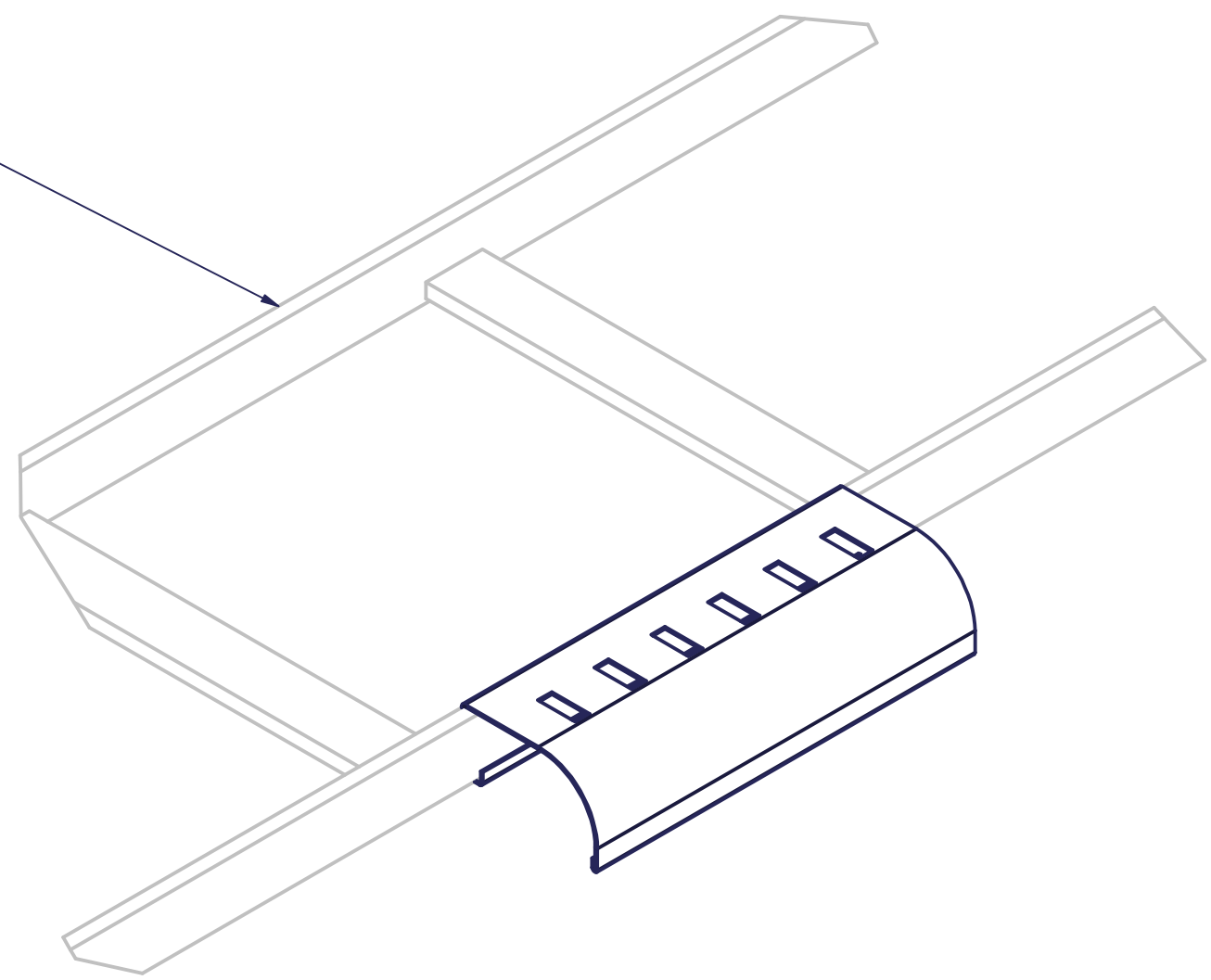
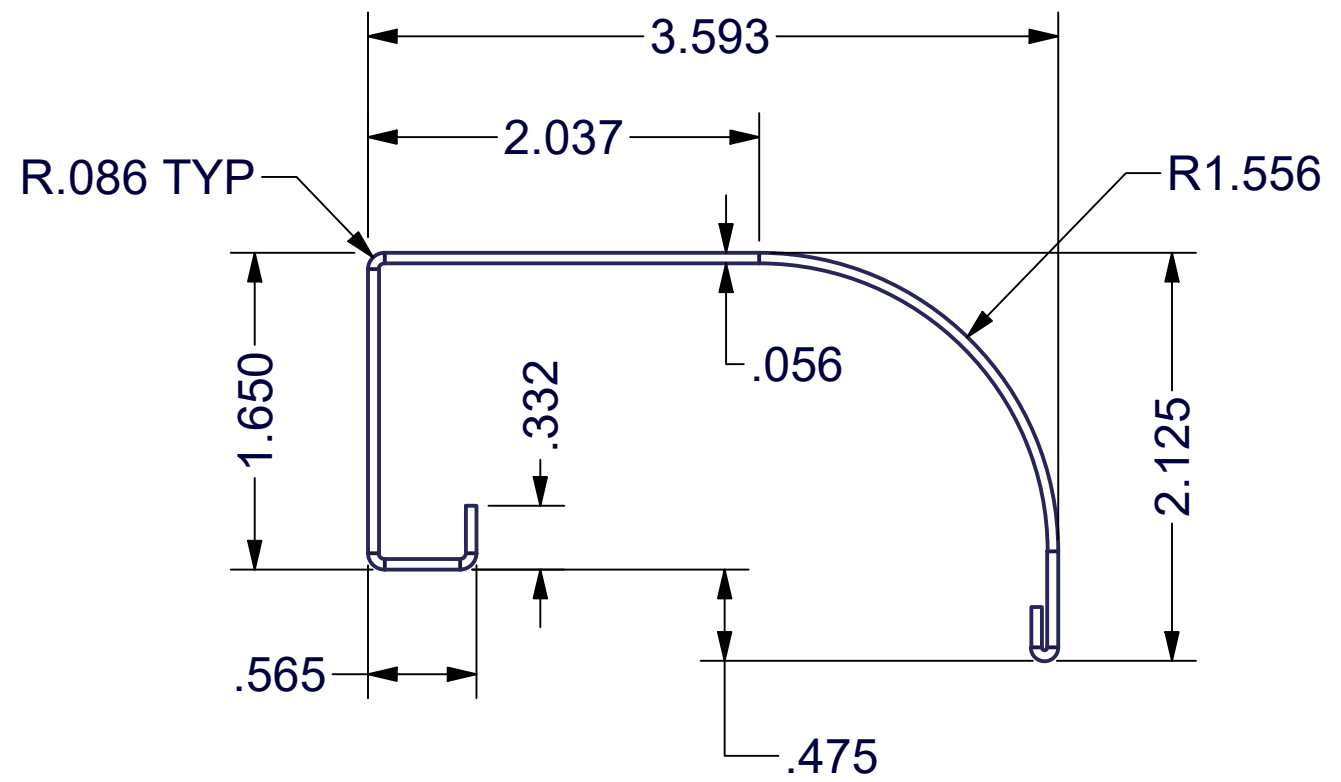
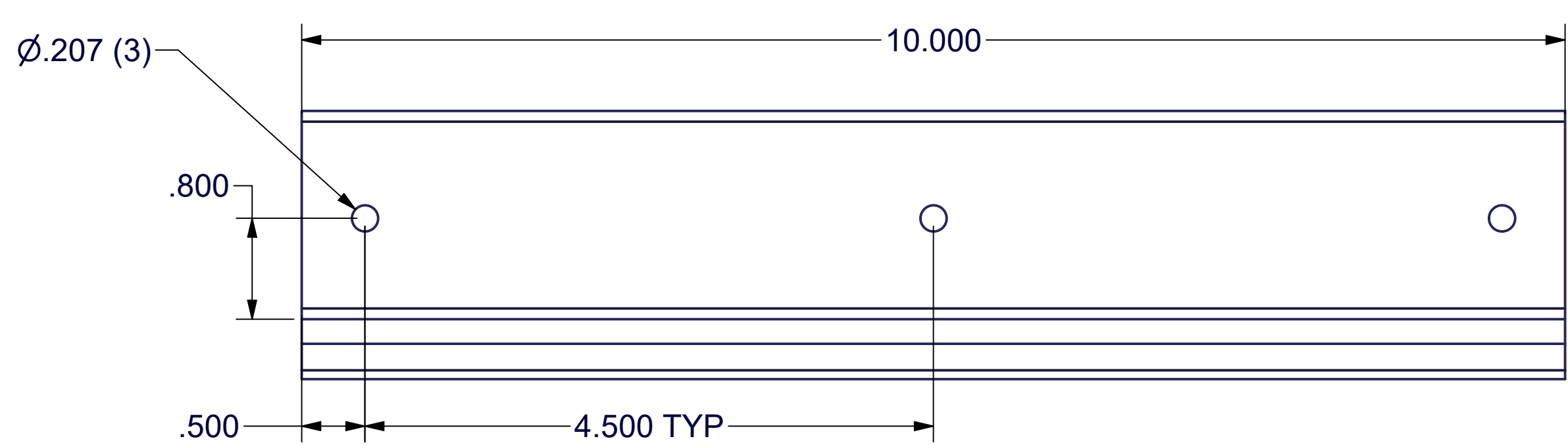
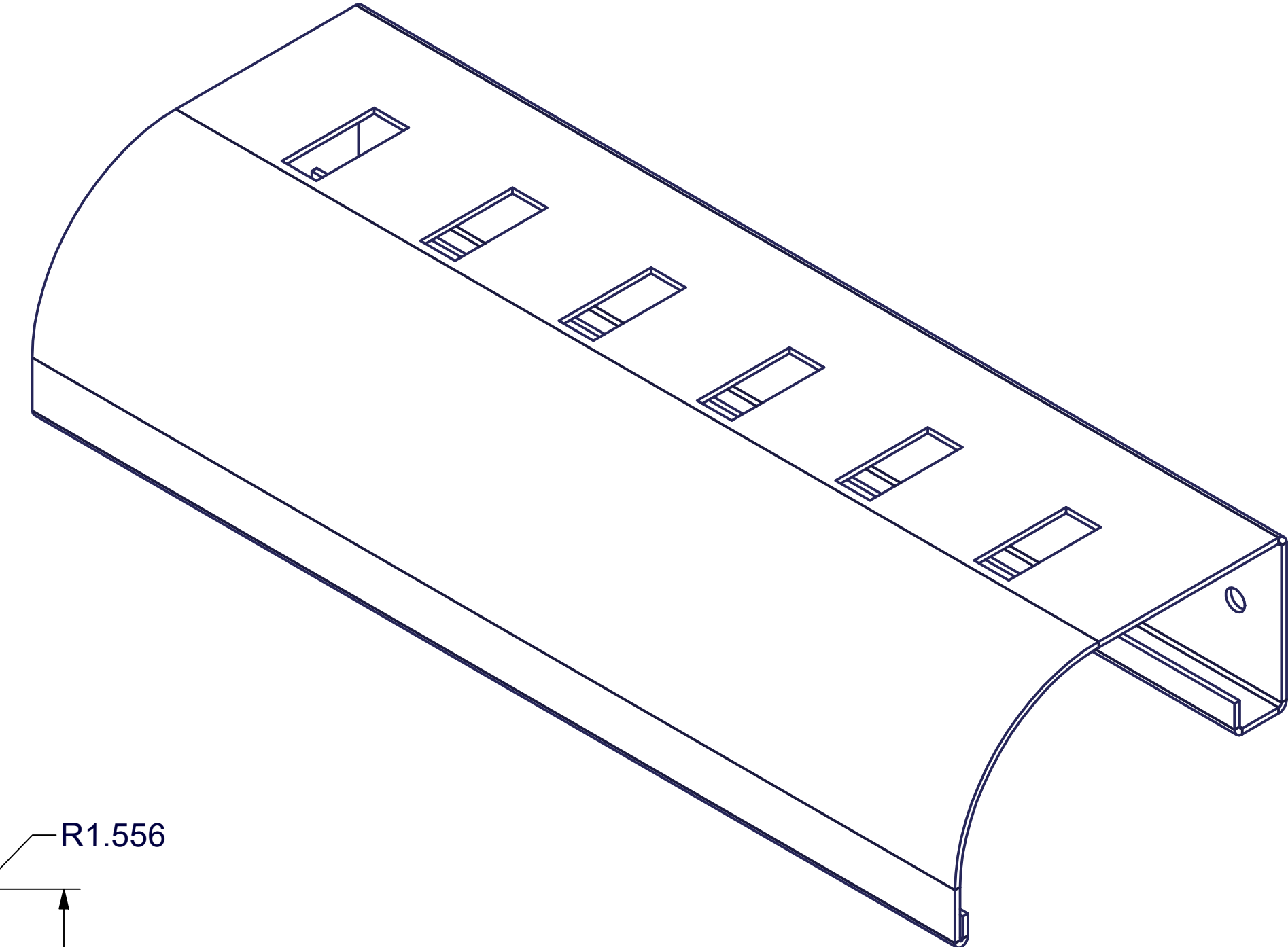
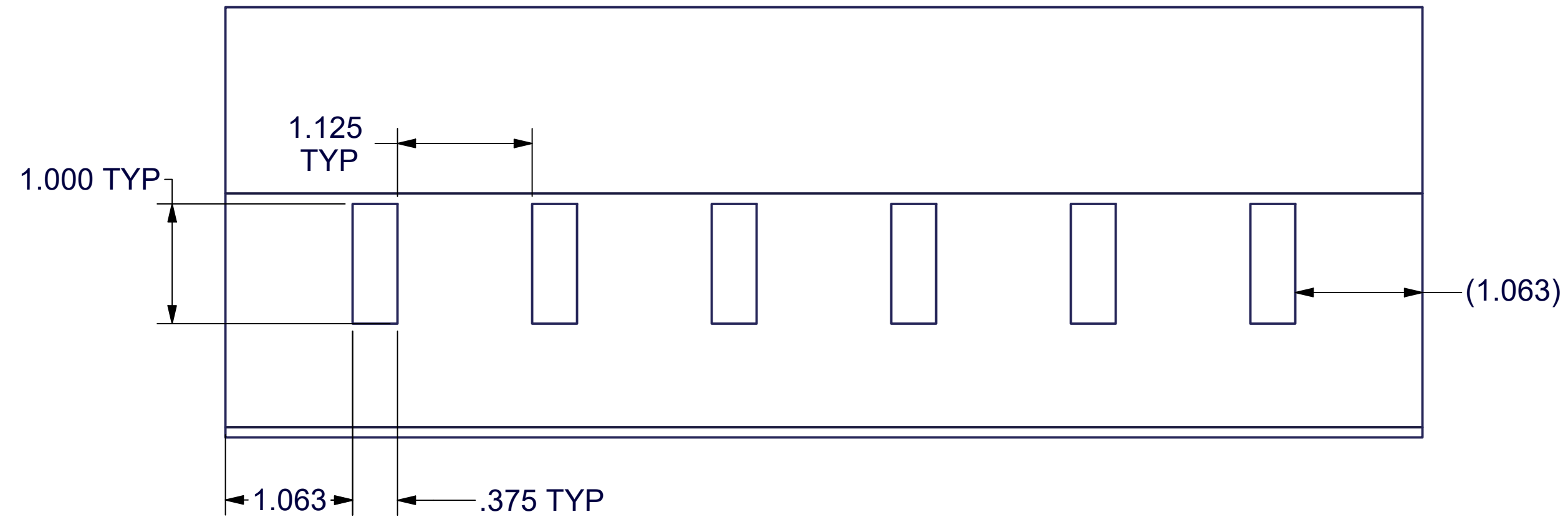


| REVISION HISTORY | | | |
|------------------|-------------|-----------|----------|
| REV | DESCRIPTION | DATE | APPROVED |
| 0 | ECO-08364 | 9/22/2022 | JWV |

CABLE RUNWAY
NOT INCLUDED
SHOWN FOR REF



TYPICAL INSTALLATION VIEW



- SPECIAL NOTES:**
- 1) PACKAGE KIT FOR SAFE SHIPPING
 - 2) NO ADDITIONAL HARDWARE REQUIRED
 - 3) DIMENSIONS ARE IN INCHES

EST. WEIGHT :
N/A



INTERPRET DRAWING PER ASME Y14.5M-1994
DIMENSIONAL LIMITS APPLY
AFTER APPLICATION OF FINISH
DRAWING NOT TO SCALE
TOLERANCE UNLESS OTHERWISE NOTED:
ANGULAR +/- 1°
.XXXX +/- .010
.XXX +/- .015
.XX +/- .030
.X FOR REF. ONLY
UNLESS OTHERWISE SPECIFIED
ALL DIMENSIONS ARE IN INCHES

NOTICE:

Use of this document is subject to a confidentiality and nondisclosure agreement with Great Lakes Data Racks & Cabinets and may not be reproduced, disclosed or utilized in whole or in part without prior written authorization from Great Lakes.

PART NUMBER:
GL-CR-RSD
MATERIAL TYPE:
CRS
MATERIAL GAUGE:
SEE DETAILS
FINISH:
POWDER COATED
DRAWN
JWV
CHECKED & APP. DATE

TITLE
CABLE RUNWAY RADIUS SIDE DROP, CR-RSD-ST
GREAT LAKES DATA RACKS & CABINETS
P.O. BOX 551 EDINBORO, PA 16412
PHONE (814) 734-7303 FAX (814) 734-3907
E-MAIL info@greatcabinets.com
DWG NO:
1034795
REV
0
SHEET: 1 OF 1